

Rattan Weave/Bamboo Shade Pendant Electrical Metal

ENGLISH

CAUTION:

- **BEFORE INSTALLING FIXTURE, MAKE SURE THE POWER TO THE CIRCUIT IS TURNED OFF AT THE MAIN FUSE BOX / CIRCUIT BREAKER UTILITY BOX.**

Important Safety Instructions:

- These instructions are provided for your safety. It is very important that they are read carefully and completely before beginning the assembly and installation of this lighting fixture.
- We strongly recommend that a professional electrician install all direct wire fixtures.
- THIS PRODUCT MUST BE INSTALLED IN ACCORDANCE WITH THE APPLICABLE INSTALLATION CODES BY A PERSON FAMILIAR WITH THE CONSTRUCTION AND OPERATION OF THE PRODUCT AND THE HAZARDS INVOLVED.
- For your safety, it is strongly recommended that two people install the lighting fixture.
- This fixture has been rated for up to one (1) **E27 40-watt maximum TYPE A light bulb** (not included). To avoid the risk of fire, do not exceed the recommended lamp wattage.
- The lighting fixture is meant for indoor use,
- **Save these instructions.**

WARNING:

- **To reduce the risk of fire, electrical shock or personal injury, always turn off light fixture and allow it to cool prior to replacing light bulb.**
- **Do not touch bulb when fixture is turned on. Do not look directly at lit bulb.**
- **Keep flammable materials away from lit bulb.**

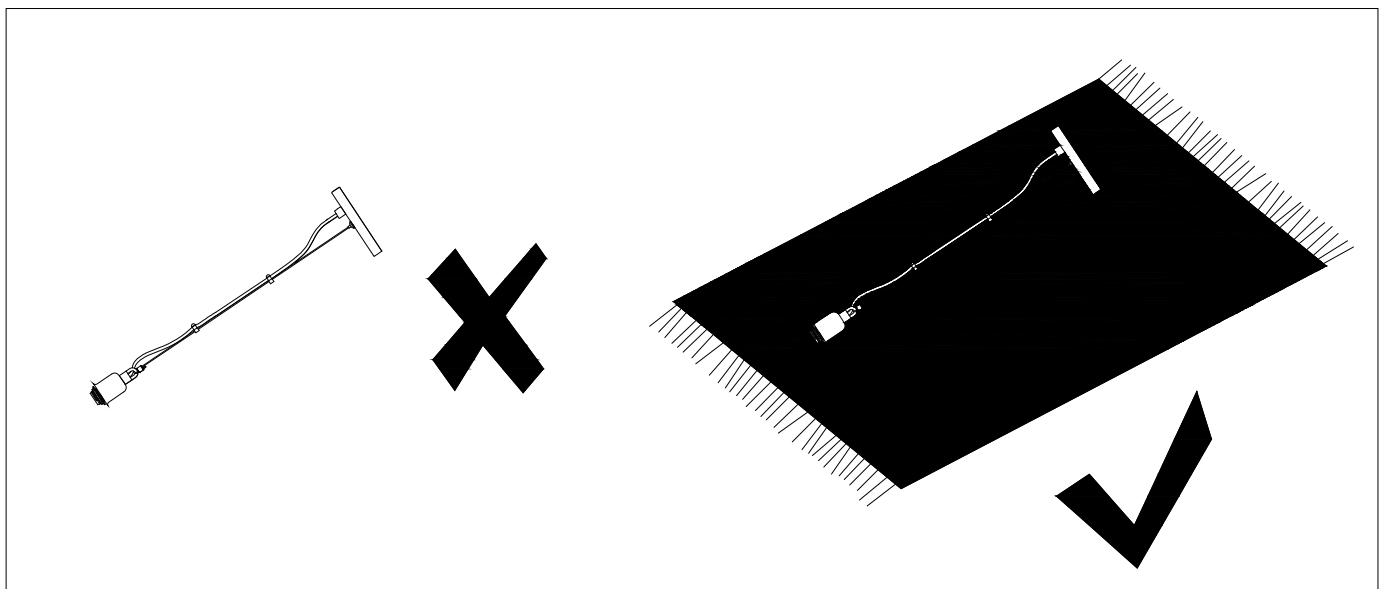
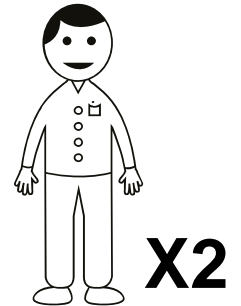
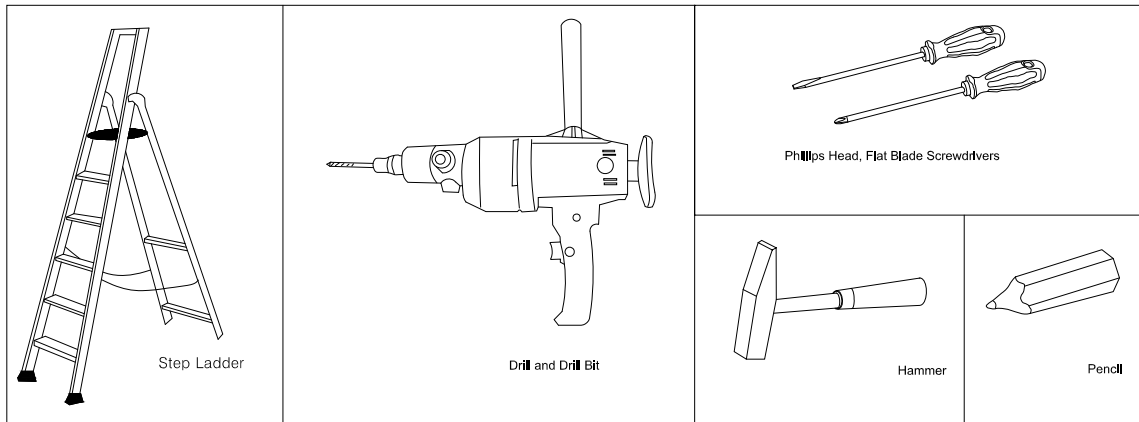
Pre-assembly:

- Remove all parts and hardware from box along with any plastic protective packaging.
- Do not discard any contents until after assembly is complete to avoid accidentally discarding small parts or hardware.
- For your safety and convenience, assembly by two people is recommended.




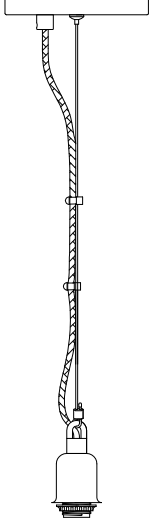
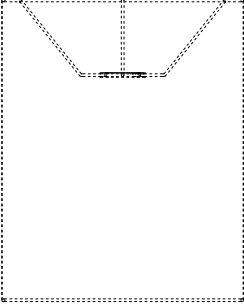
Care instructions:

- Dust often using a clean, soft, dry and lint-free cloth.
- Blot spills and wipe with a clean, damp cloth immediately.
- We do not recommend the use of chemical cleansers, abrasives or furniture polish on our lacquered finish.
- Hardware may loosen over time. Periodically check to make sure all connections are tight. Re-tighten if necessary.

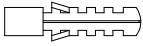
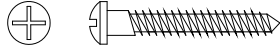

thank you for your purchase
stores | catalog | www.westelm.com

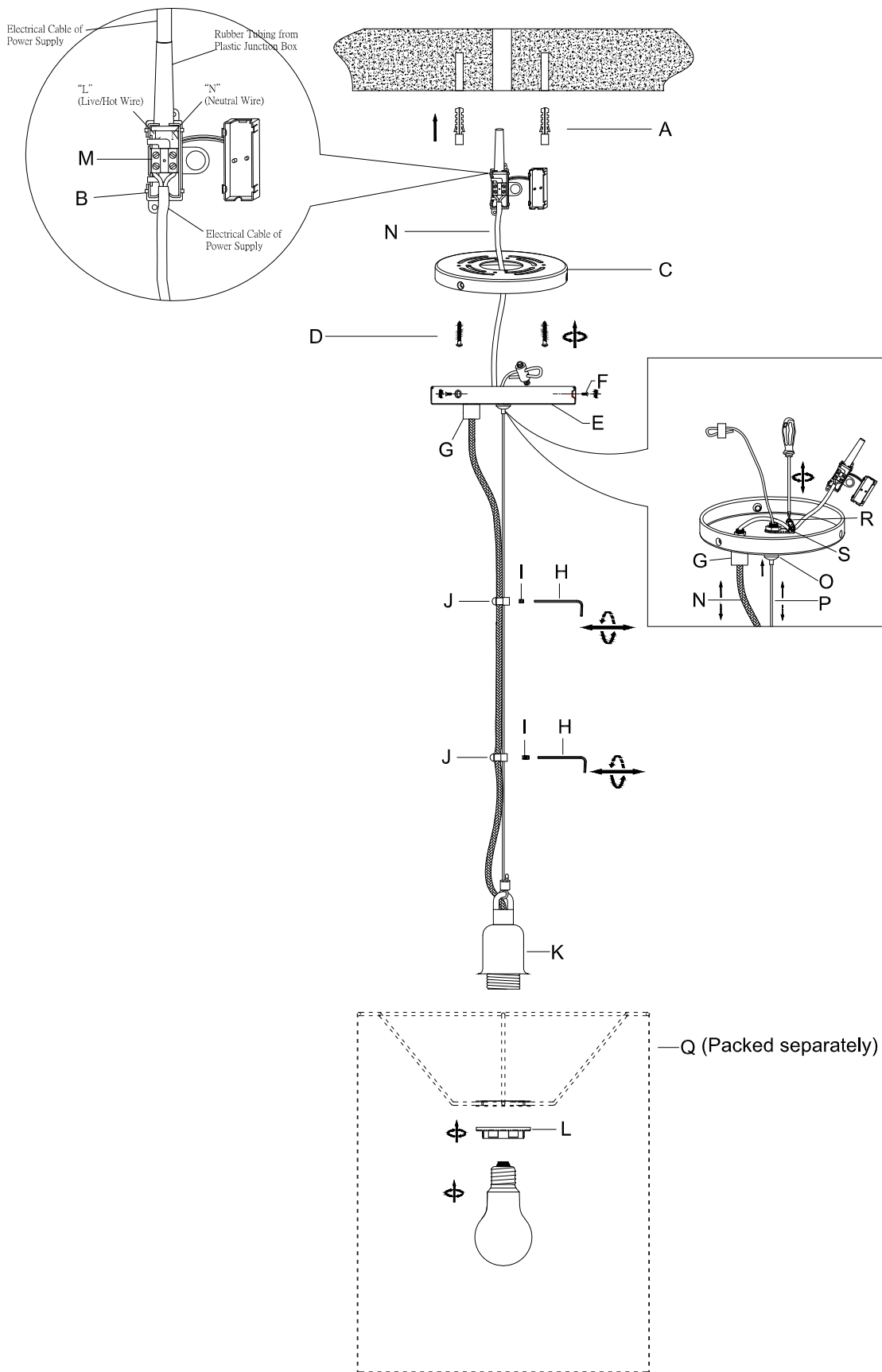


Parts Included

<p>C</p>  <p>∅150x19mm 1X</p>	<p>F</p>  <p>∅4x12mm 3X</p>	<p>R</p>  <p>∅3x8mm 1X</p>	 <p>1X</p>
<p>Q</p>  <p>Packed separately</p>			

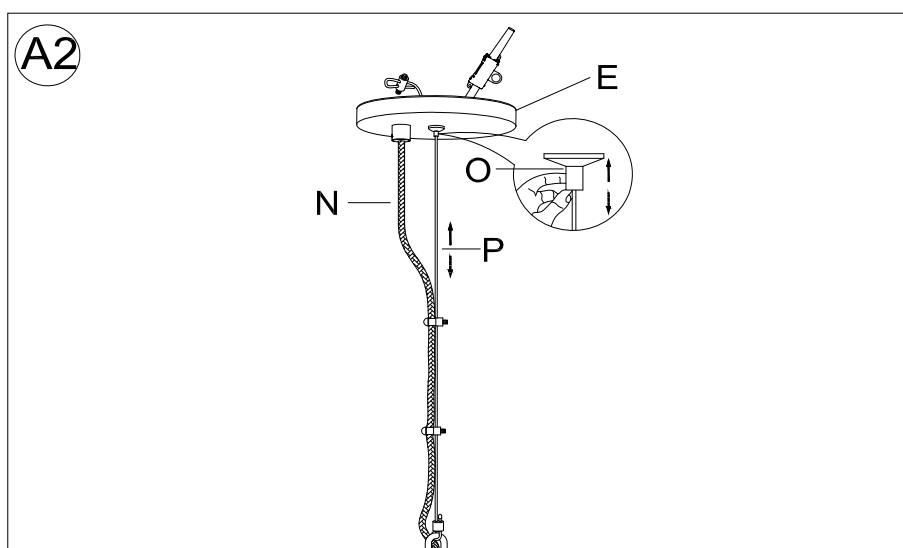
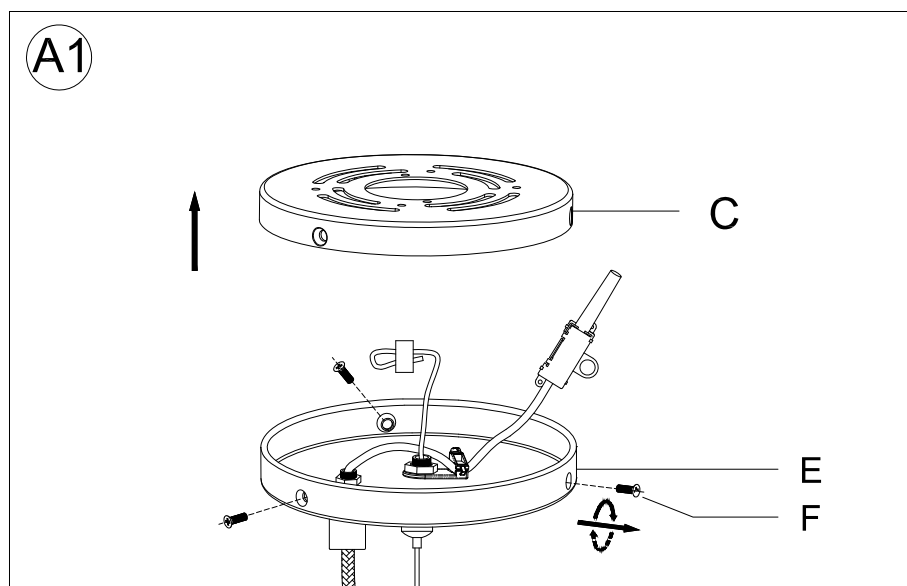
Hardware Enclosed

<p>A</p>  <p>D8xH40mm 2X</p>	<p>D</p>  <p>D4xH40mm 2X</p>	<p>H</p>  <p>1X</p>
---	---	--

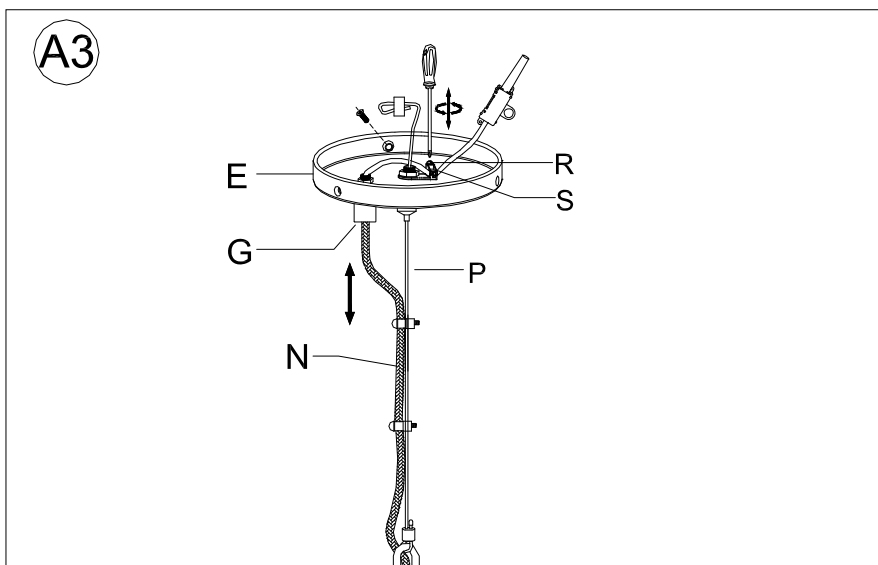


To Adjust the Suspension Length of the Fixture:

Note: The adjustment or shortening of the lighting fixture's suspension length is only needed if the factory set length is not appropriate for your installation. We recommend that you adjust the proper desired length. Determine the lighting fixture suspension length from the ceiling for the product installation, allowing the extra cord length for the outlet junction box wire connections as noted below.

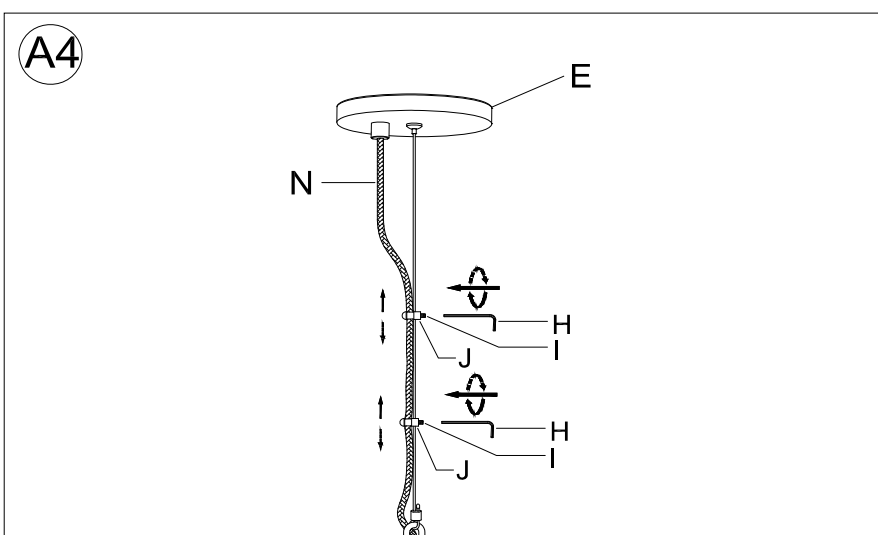


Press the Holder Tubings (O) upwards under the Canopy (E) and push the Steel Cable (P) into the Canopy (E). Loosen the Holder Tubings (O) once the desired fixture suspension length is determined.



1. Loosen the Screw (R) from the Cord Grip (S) using Screw Driver by turning it counter-clockwise.
2. Adjust the Power Cord (N) upwards or downwards through the Canopy (E) until a new desired suspension length is determined.
3. Secure the Cord Grips (S) in place by tightening the Set Screw (R) using Screw Driver until tighten.

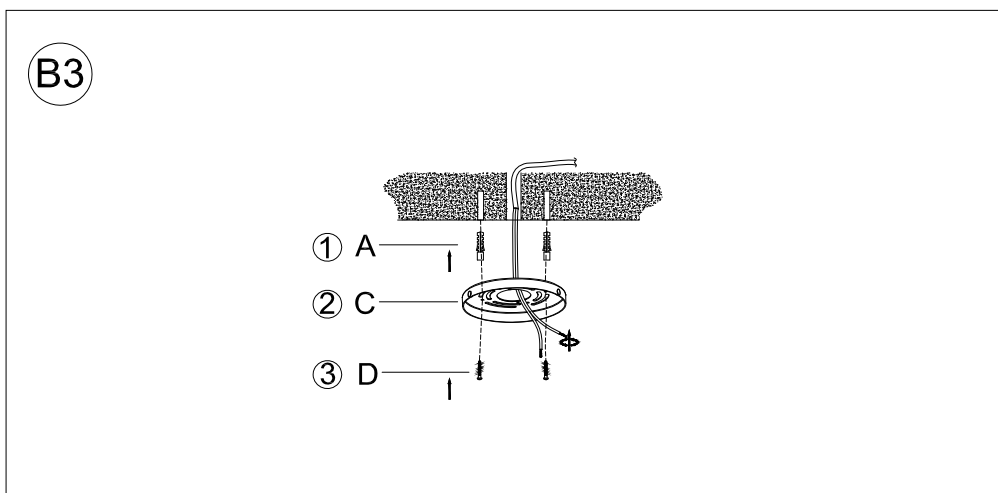
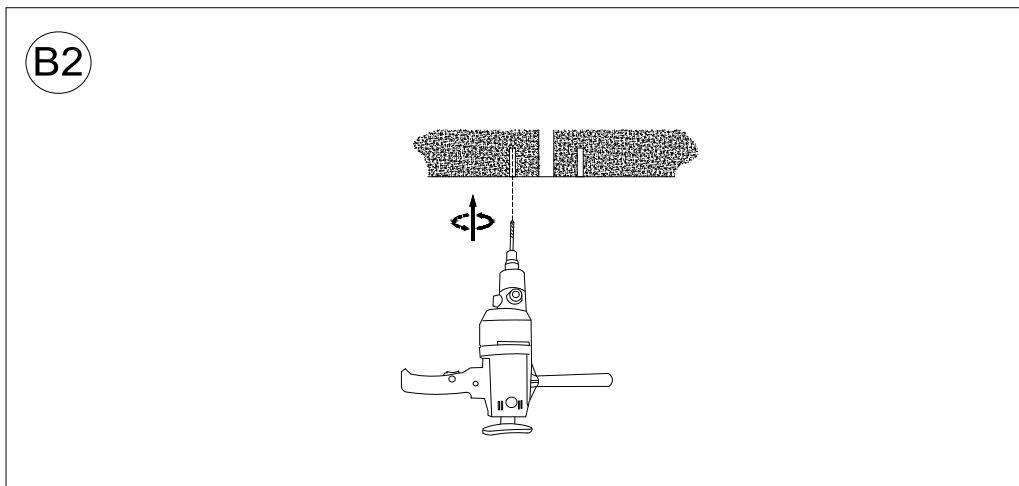
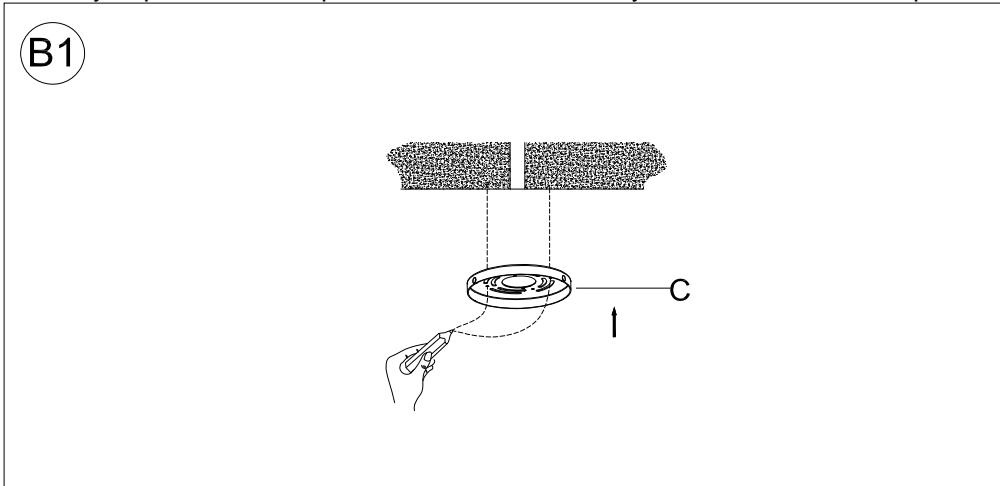
Make sure the Cord (N) length is longer than the Steel Cable (P).

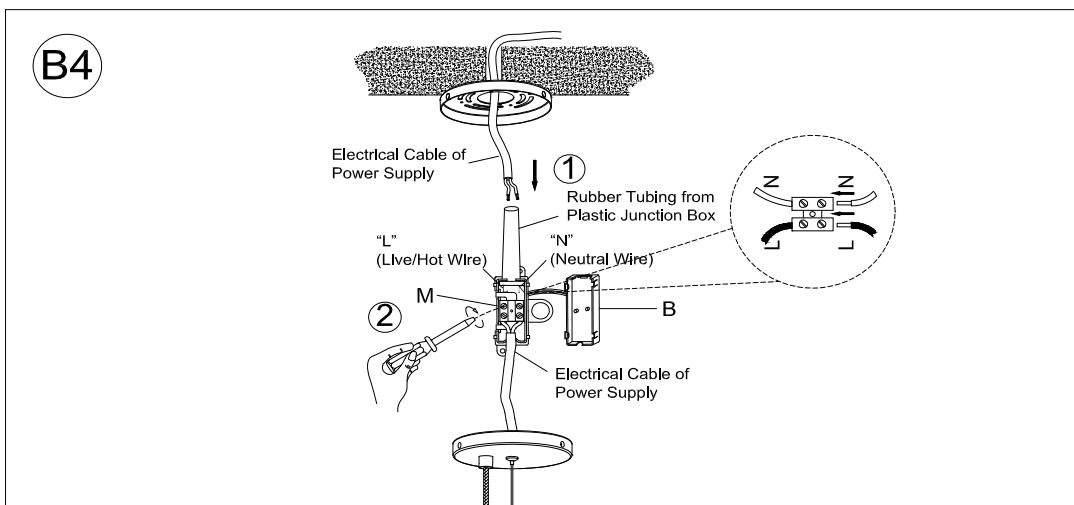


If needed, using the Allen Wrench (H) loosen the Set Screws (I) on the Cord Grips (J) and slide Cord Grips (J) to desired location. Secure the Set Screws (I) back to Cord Grips (J) until tight, and slide Power Cord to desired location.

Assembly & Installation Instructions:

- **SHUT OFF THE MAIN ELECTRICAL SUPPLY FROM THE MAIN FUSE BOX/CIRCUIT BREAKER!**
- Carefully unpack all fixture parts and hardware and lay them on a clear workspace.





Find the Terminal Block(M) by opening the cover of Plastic Junction Box (B). Carefully inspect the Terminal Block(M), the terminal marked "L" is to connect to Live/Hot wire of power supply cable and the terminal marked "N" is to connect to Neutral wire of power supply cable. Insert the electrical wire of power supply cord through the rubber tubing and correctly connect the wires of power supply cable to the Terminal Block(M). Seal the Plastic Junction Box (B) by putting its cover back after completing electrical wire connections.

