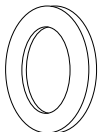

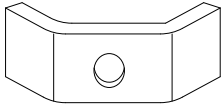
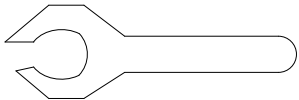
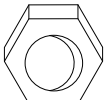


<p>A</p>  <p>18 mm Dia Flat Washer 8x</p>	<p>B</p>  <p>14 mm Dia Lock Washer 8x</p>	
<p>C</p>  <p>Corner Bracket 4x</p>	<p>D</p>  <p>Wrench 1x</p>	<p>E</p>  <p>Nut 8x</p>

1. Place the table upside down on clean carpet or scratch-free work surface and attach one leg into the corner of the table by inserting the exposed thread into the holes as shown.
2. Insert flat washer (A), lock washer (B) and nut (E) into the exposed bolt of the leg. Tighten the nut (do not over tighten) as shown in illustration 1.
3. Attach the shelf into the cutout of the leg. Then insert metal bracket (C), flat washer (A), lock washer (B), and nut (E) into the hanger bolt of the leg. Tighten the nut (do not over tighten) as shown in illustration 2.
4. Attach another leg on the opposite side diagonally to the first leg. Repeat step 3 and 4 for all other legs.
5. Fully tighten all bolts. Firmly grasp the table by both ends and return the table to its upright position.

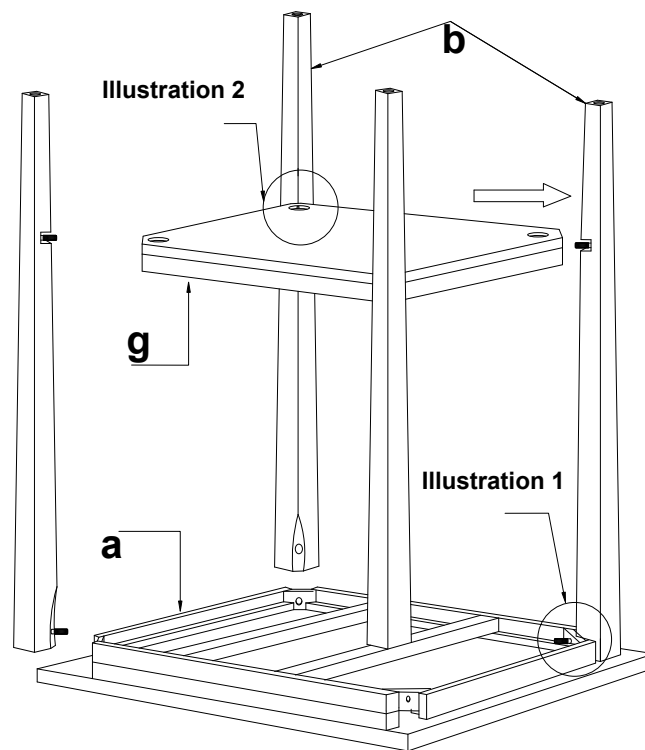


Illustration 1

Illustration 2

