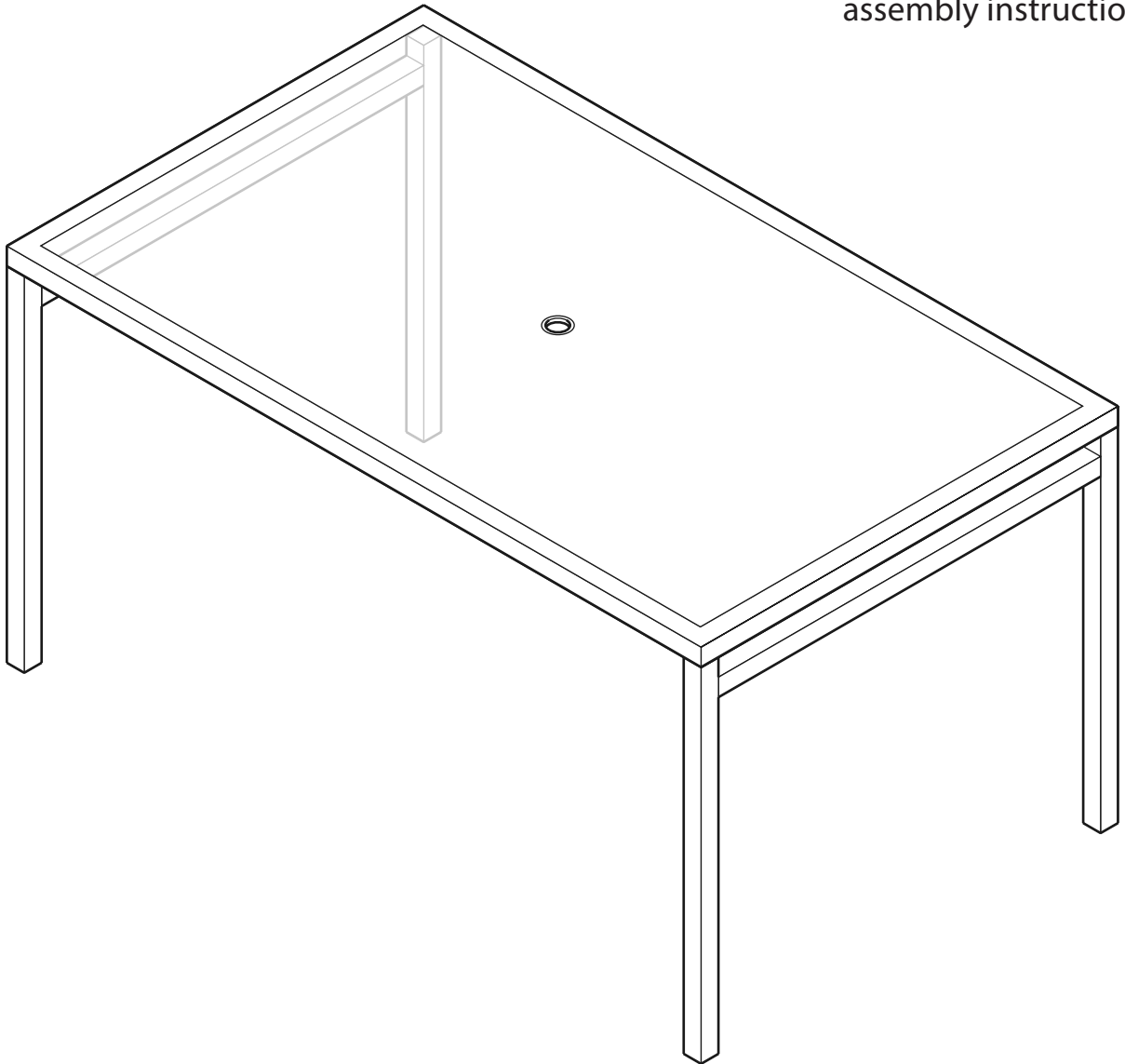


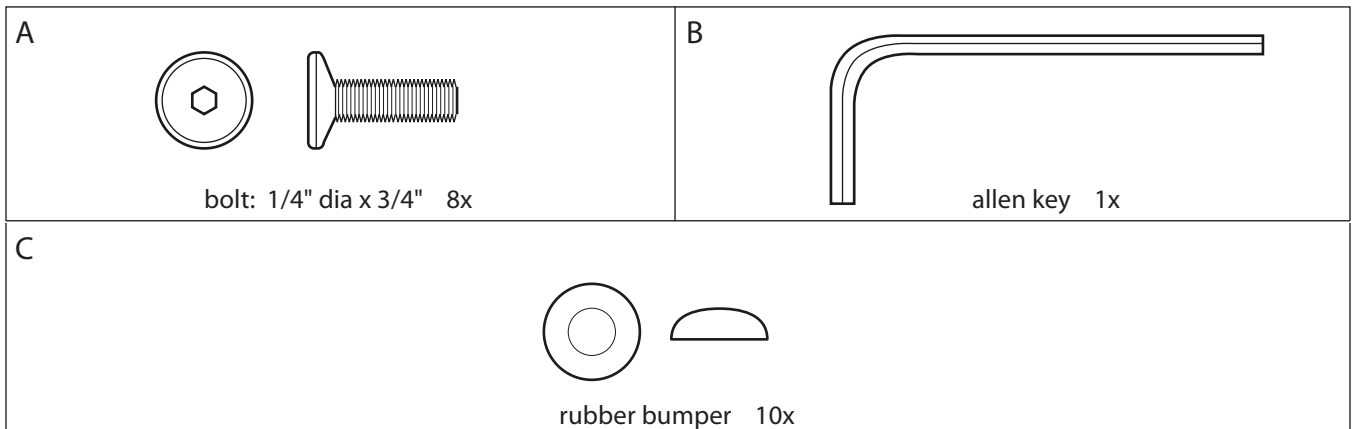
west elm : square metal dining table

assembly instructions



! Do not throw away packaging materials until assembly is complete.

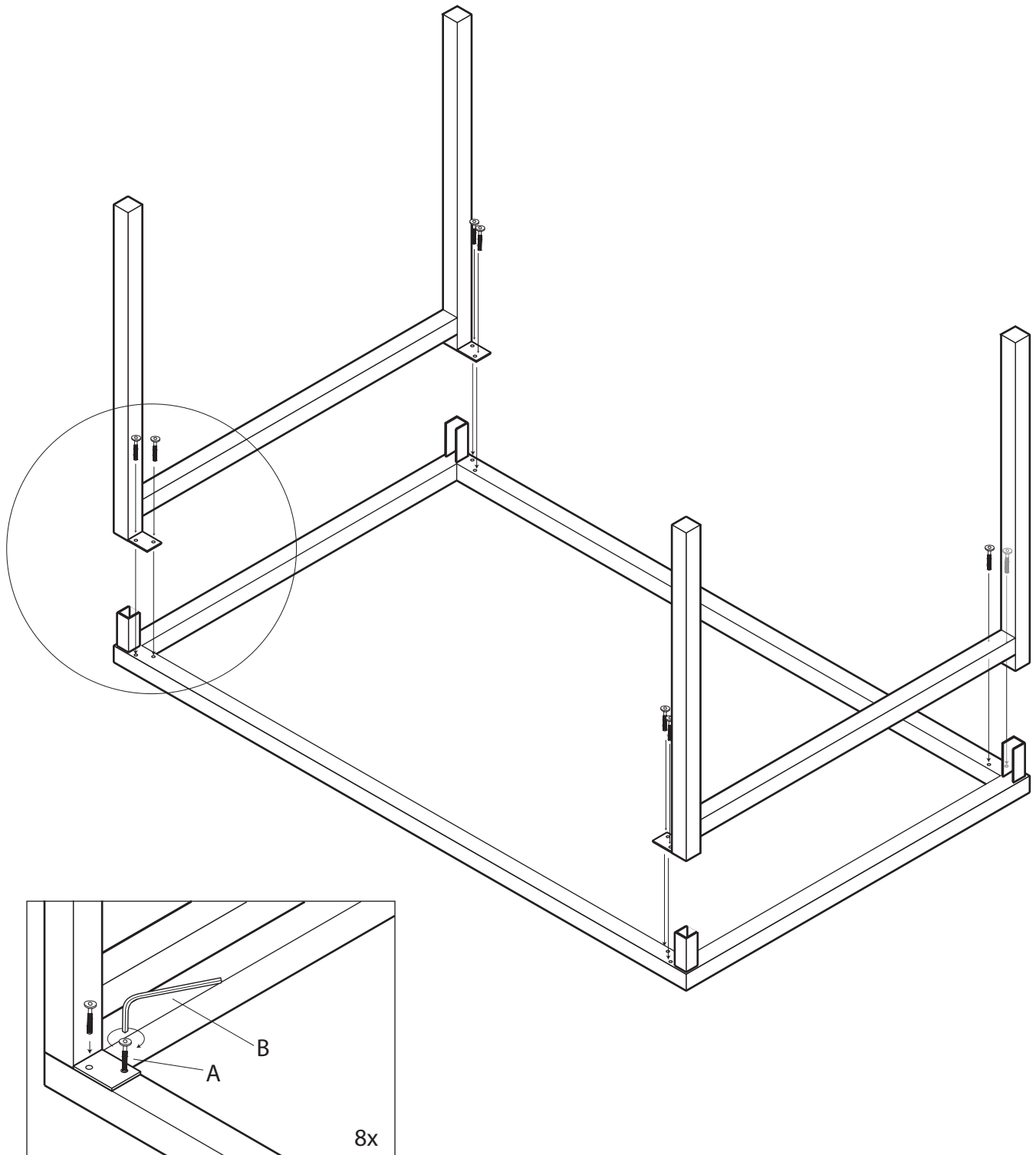
! Assemble this item on a soft surface, such as cardboard or carpet, to protect the finish.



west elm : square metal dining table

assembly instructions

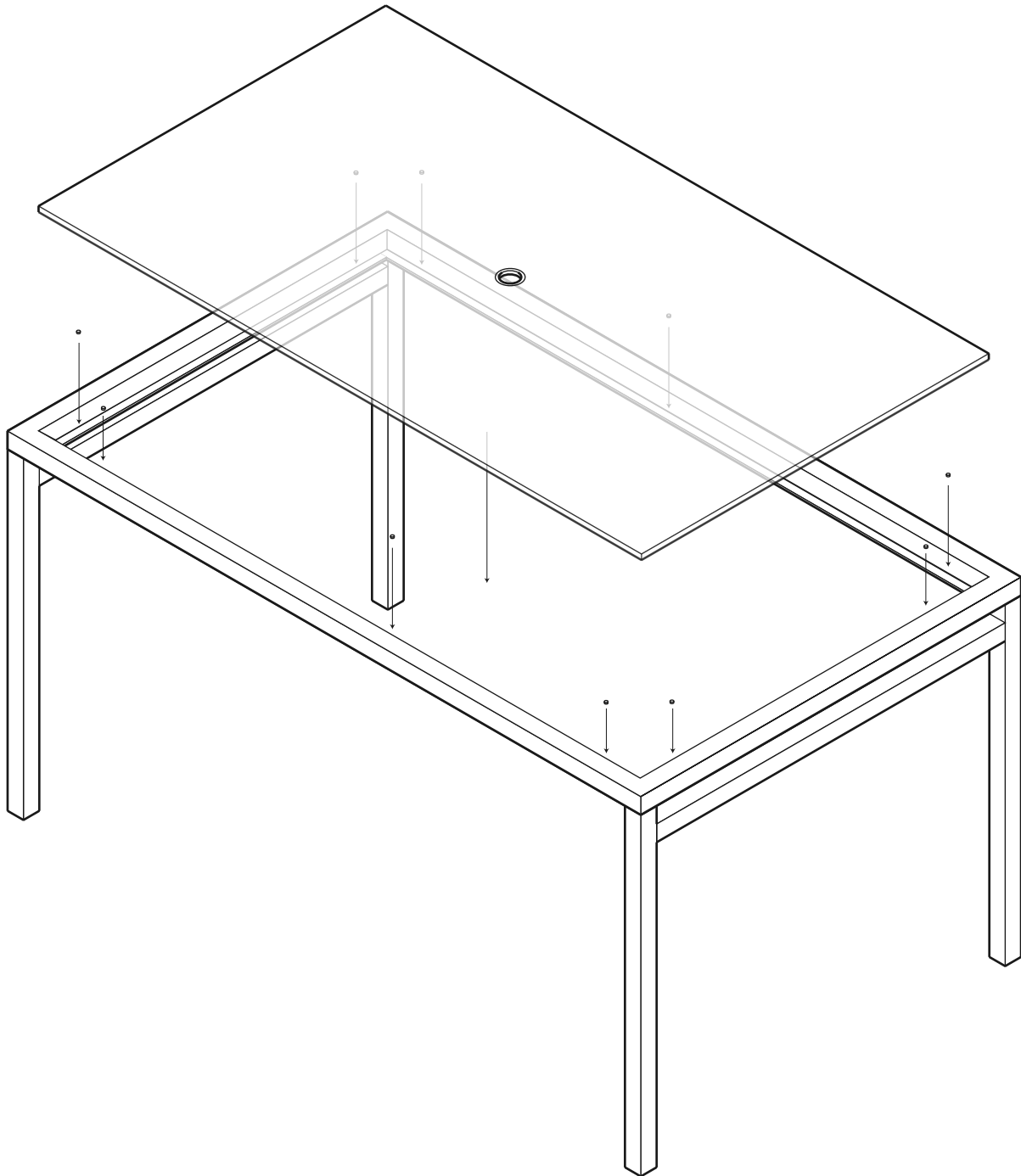
1. Aligning the top of the legs with the supports underneath the tabletop, set the legs into place. Insert bolt (A) through pre-drilled holes in tabs and into the pre-drilled holes in the underside of the table frame. Tighten using allen key (B).



west elm : square metal dining table

assembly instructions

2. Attach rubber bumpers (C) to the interior lip of table frame as shown. Carefully place glass into frame as shown.



CARE INSTRUCTION

Hardware may loosen over time. Periodically check that all connections are tight.

Wipe with a soft, dry cloth. To protect finish, avoid the use of chemicals and household cleaners.