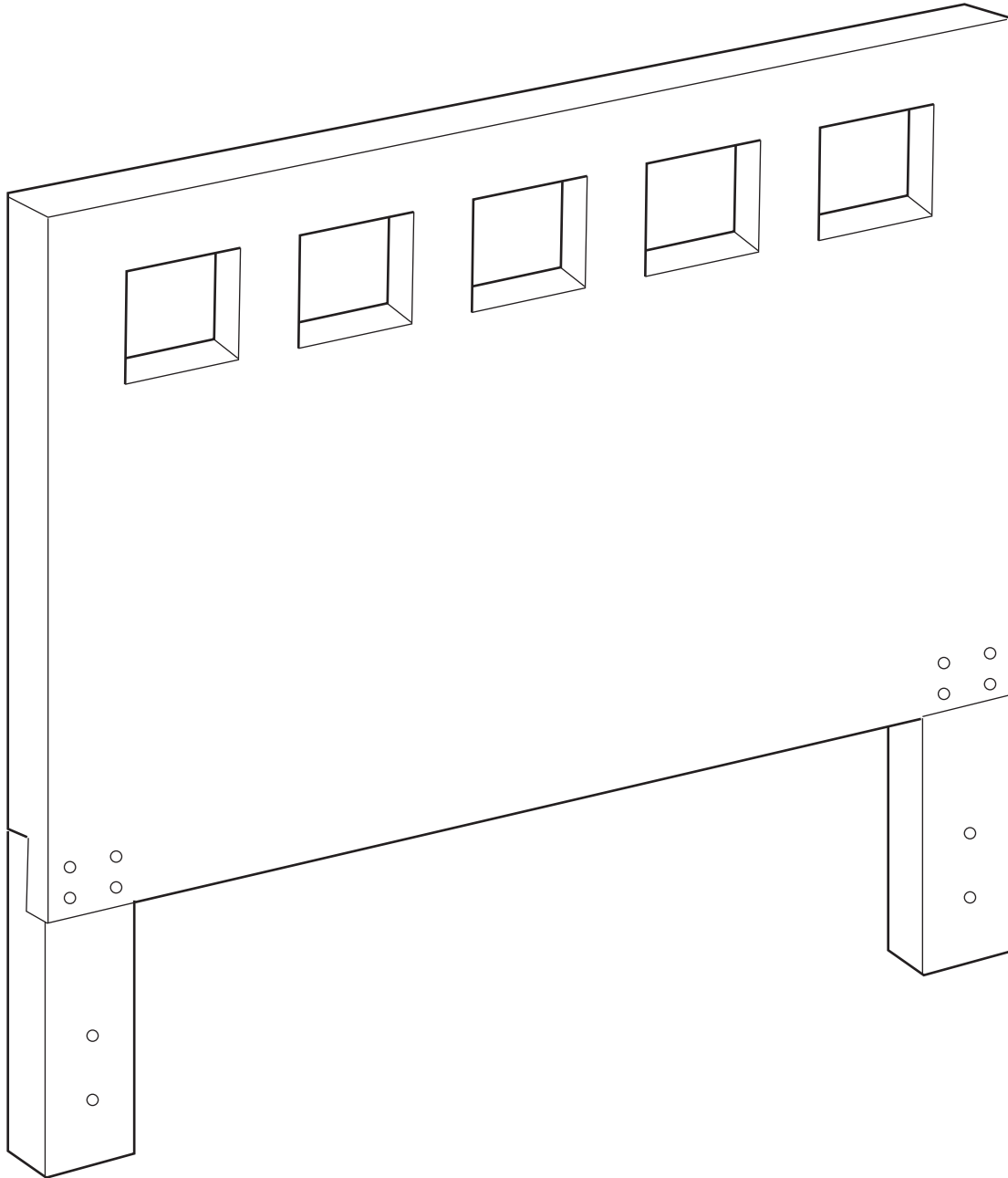


# west elm: square cut-out headboard

assembly instructions



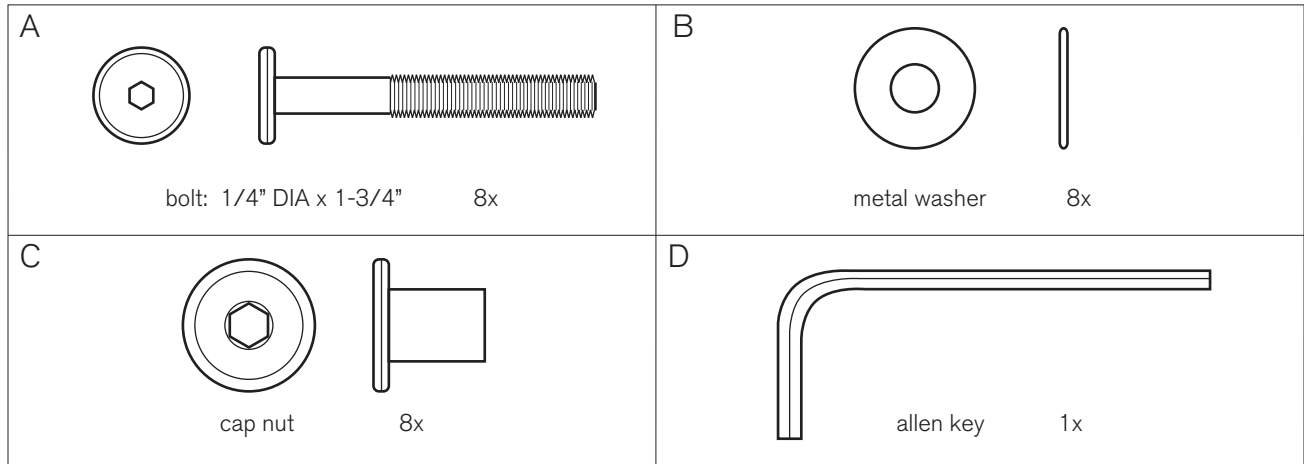
! Do not throw away packaging materials until assembly is complete.

! Assemble this item on a soft surface, such as cardboard or carpet, to protect the finish.

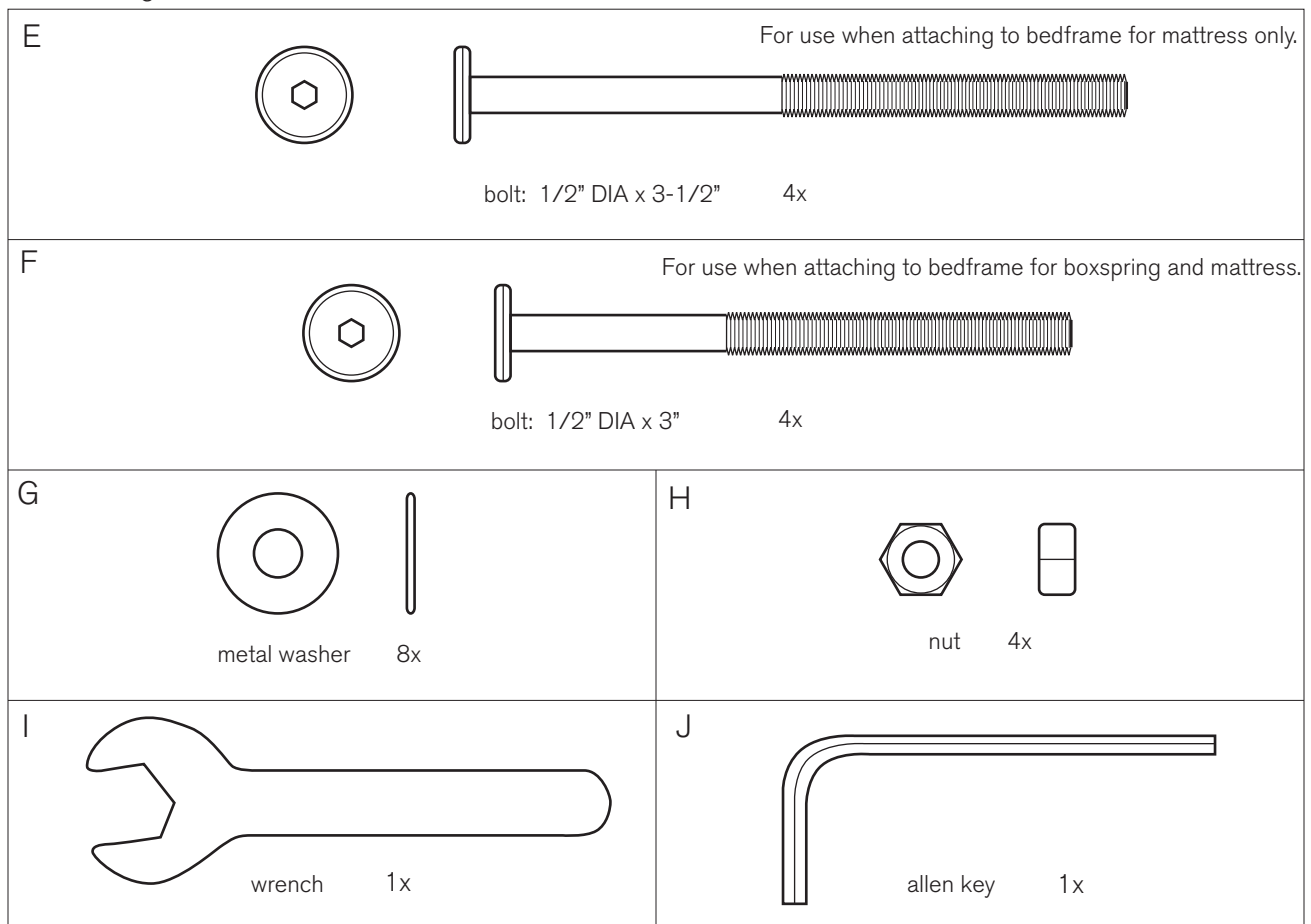
# west elm: square cut-out headboard

## assembly instructions

For assembly of headboard:



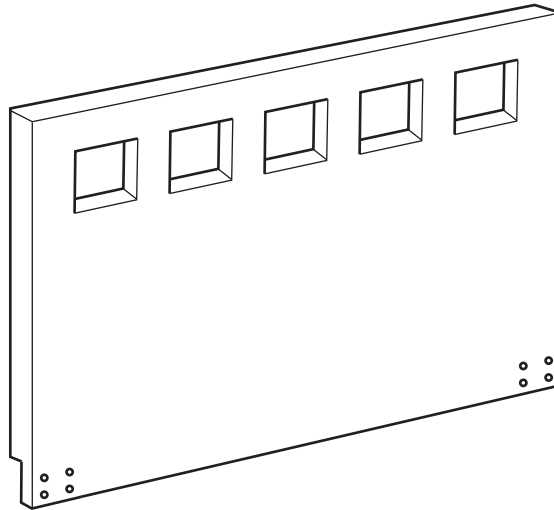
For attaching headboard to bedframe:



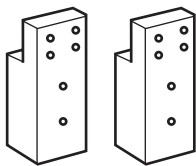
# west elm: square cut-out headboard

## assembly instructions

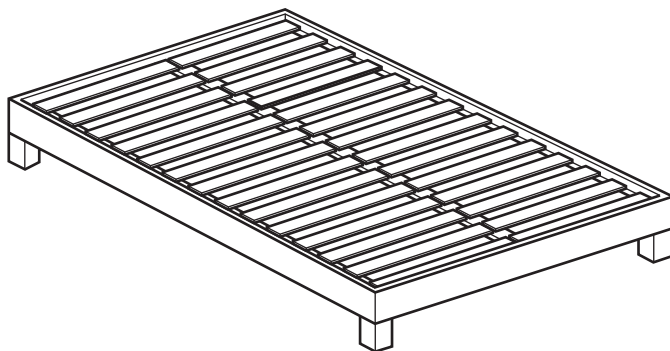
Choose the legs to match  
your bedframe:



For bedframe with mattress only:

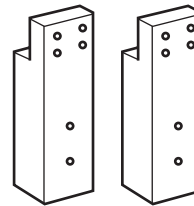


use short legs with  
the bedframe below.

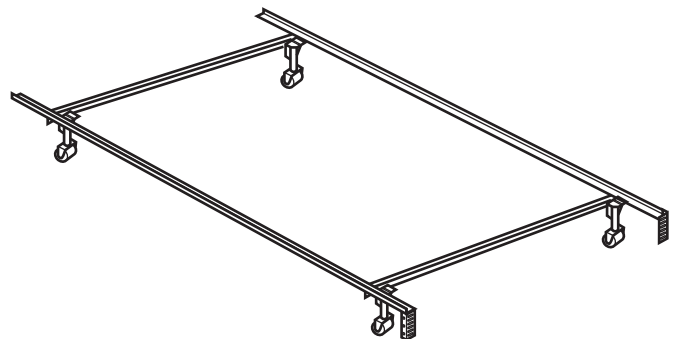


(bedframes sold separately)

For bedframe with boxspring and mattress:



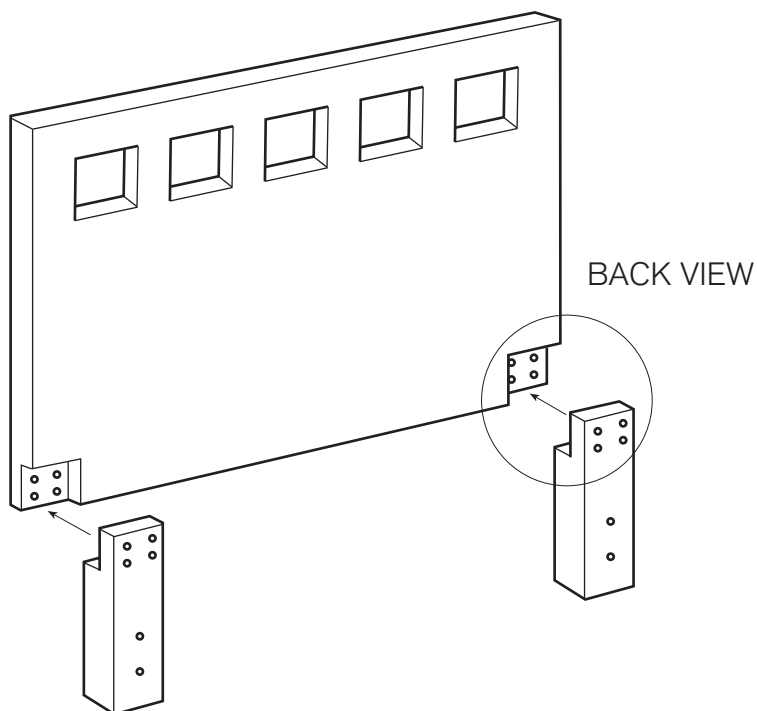
use long legs with  
the bedframe below.



# west elm: square cut-out headboard

## assembly instructions

1. Align legs with the headboard. Match the leg labeled 'R' with the 'R' on the headboard.  
Match the leg labeled 'L' with the 'L' on the headboard.
2. Attach the hardware as shown and tighten.

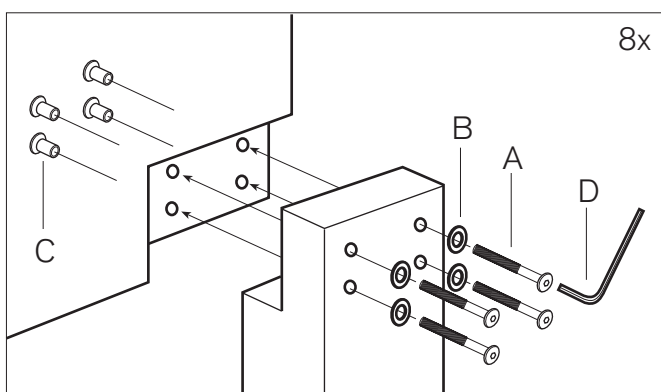


### CARE INSTRUCTIONS.

Hardware may loosen over time. Periodically check that all connections are tight.

Headboards are designed for placement against a wall.

Wipe with a soft, dry cloth. To protect the finish, avoid the use of all chemicals and household cleaners.

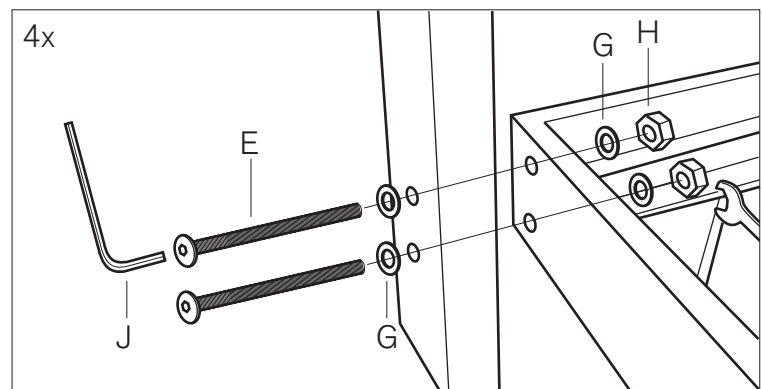
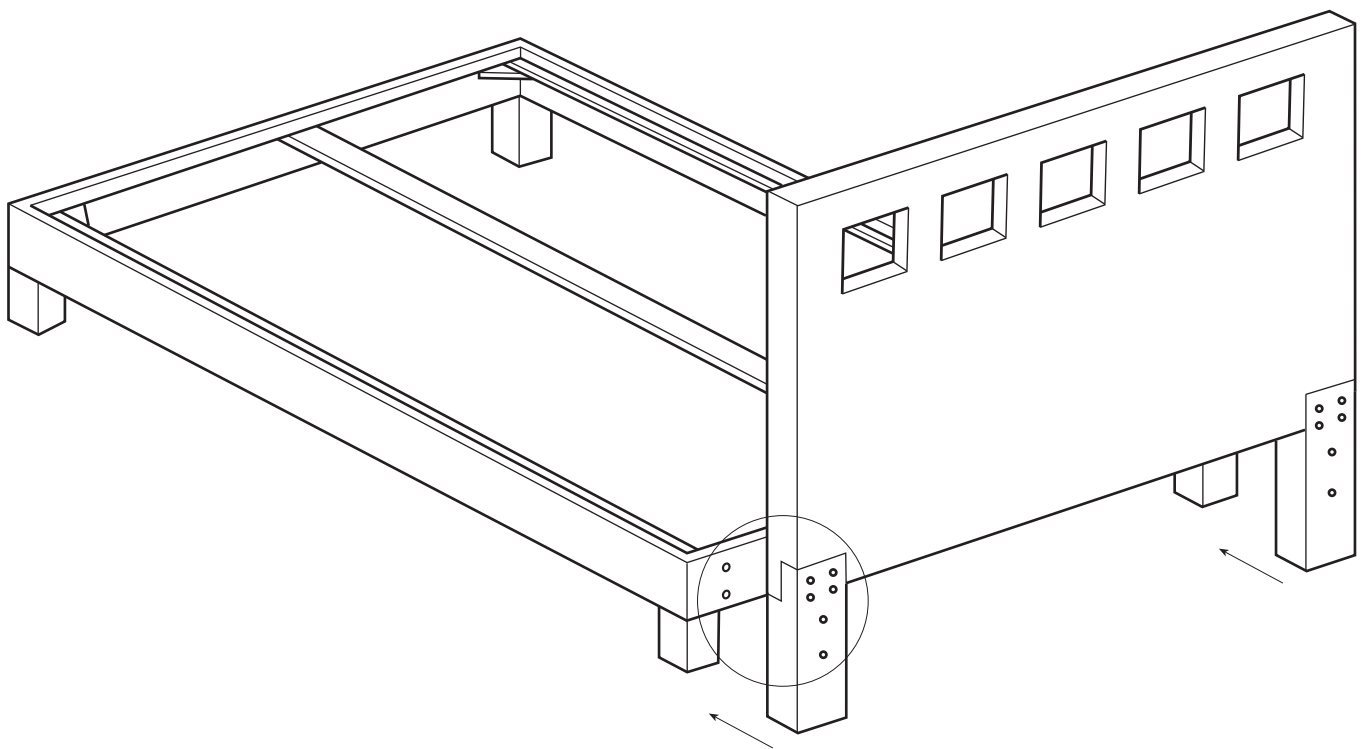


# west elm: square cut-out headboard

## assembly instructions

Attaching the headboard to beframe for mattress only:

Align hardware as shown and tighten.



# west elm: square cut-out headboard

## assembly instructions

Attaching the headboard to bedframe for boxspring and mattress:

Align hardware as shown and tighten.

