

### Important Safety Instructions:

- These instructions are provided for your safety. It is very important that they are read carefully and completely before beginning the assembly and installation of this lighting fixture.
- This portable luminaire has a polarized plug (one blade is wider than the other) as a safety feature to reduce the risk of electric shock. This plug will fit in a polarized outlet only one way. If the plug does not fit fully in the outlet, reverse the plug. If it still does not fit, contact a qualified electrician. Never use with an extension cord unless plug can be fully inserted. Do not alter the plug. Do not attempt to defeat this safety feature.
- For your safety and convenience, it is strongly recommended that two people install the lighting fixture.
- This fixture has been rated for up to one (1) **100-Watt maximum TYPE A standard incandescent light bulb** (not included) or one (1) **23-watt compact fluorescent light bulbs** (not included) or one (1) **9-watt SBLED LAMP** (included). To avoid the risk of fire, do not exceed the recommended wattage.
- This lamp is meant for indoor use.
- **Save these instructions.**

### WARNING:

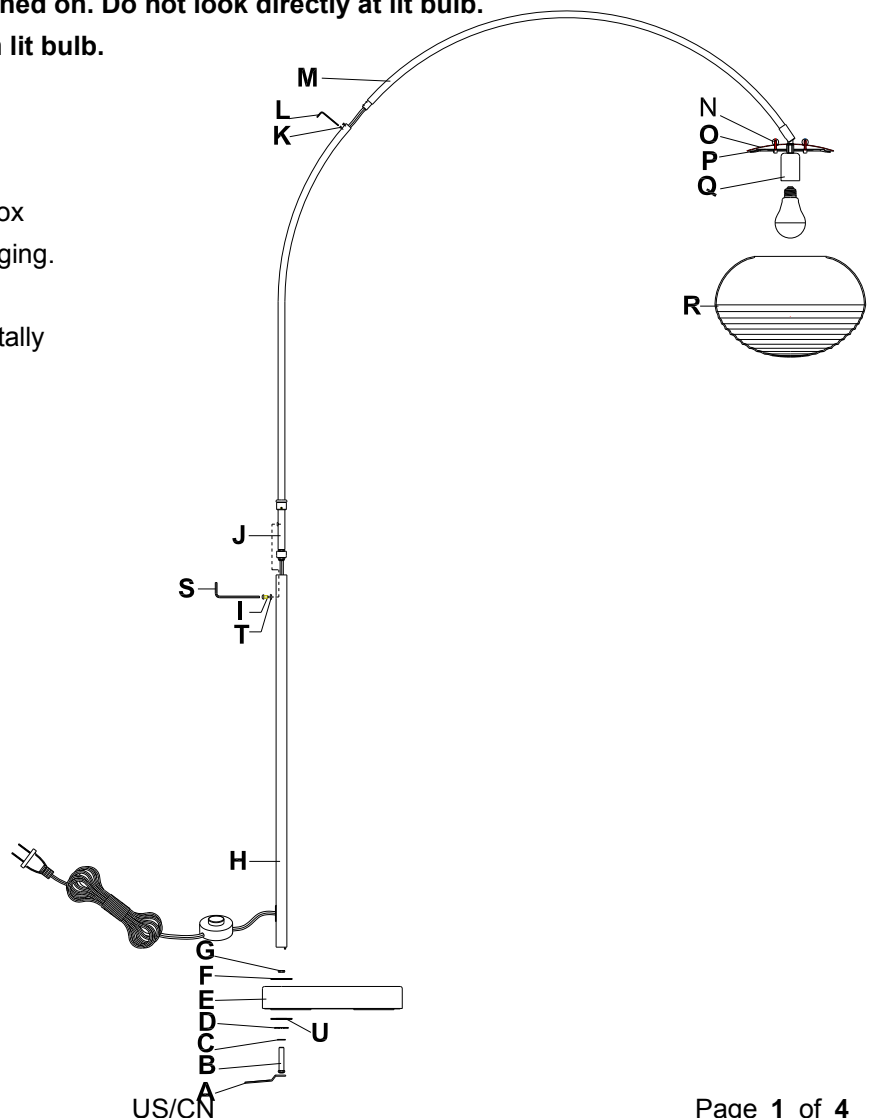
- To reduce the risk of fire, electrical shock or personal injury, always turn off and unplug the light fixture and allow it to cool prior to replacing the light bulb.
- Do not touch bulb when fixture is turned on. Do not look directly at lit bulb.
- Keep flammable materials away from lit bulb.

### Pre-assembly:

- Remove all parts and hardware from box along with any plastic protective packaging.
- Do not discard any contents until after assembly is complete to avoid accidentally discarding small parts or hardware.

### Parts Included:

- (B) Large Hex Nut (1)
- (C) Spring Washer (1)
- (D) Metal Washer (1)
- (E) Lamp Base (1)
- (F) Metal Plate A (1)
- (G) Hex Nut (1)
- (H) Lower Tube (1)
- (I) Big Allen Screw (1)
- (J) Upper Curved Tube (1)
- (K) Set screws (3) (include 1pc spared)
- (M) Top Curved Tube (1)
- (N) Ball Nuts (2)
- (O) Shade Cover (1)
- (P) Shade Bracket (1)

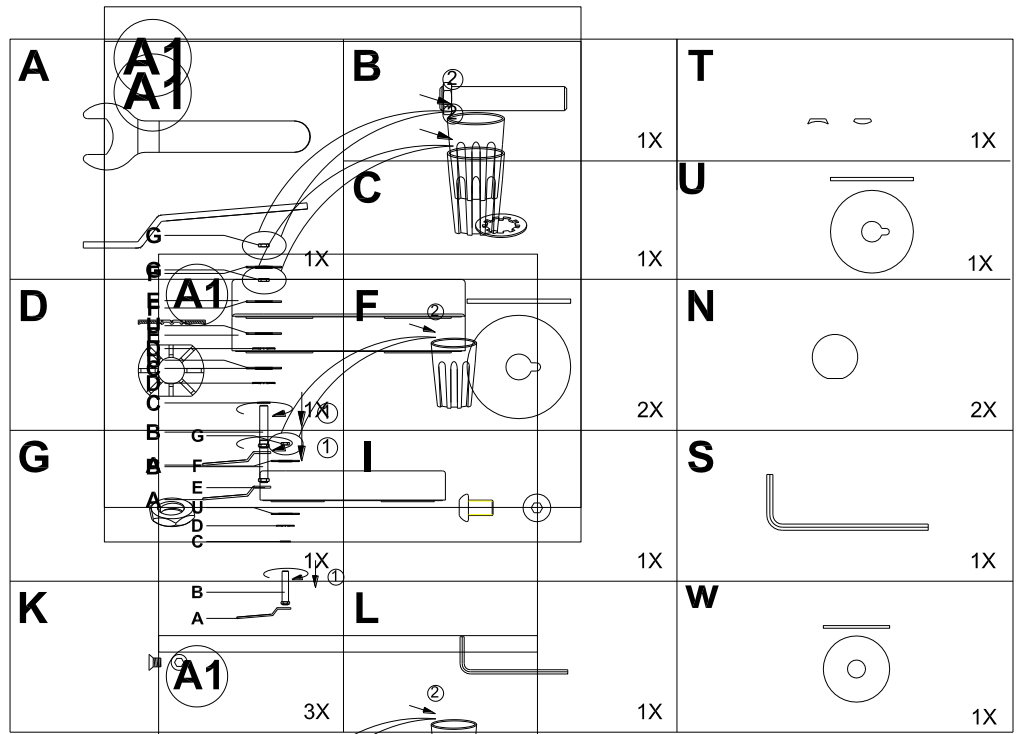


# Overarching Ripple Acrylic Floor Lamp Assembly Instructions

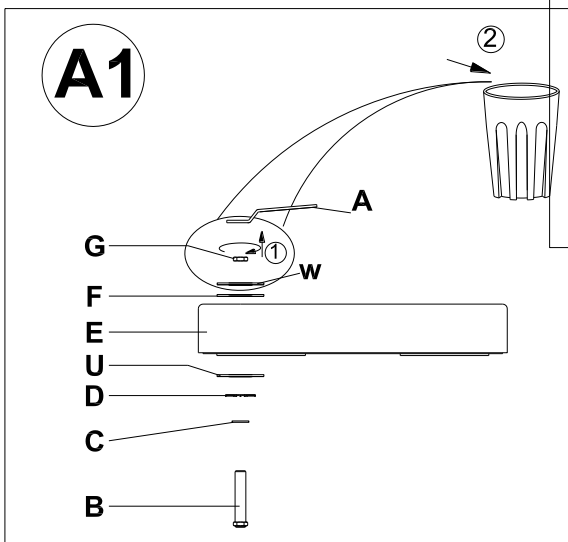
- (Q) Socket (1)
- (R) Acrylic Shade (1)
- (T) Round Nut (1)
- (U) Metal Plate B (1)
- (W) Plastic Washer (1)

## Hardware Included:

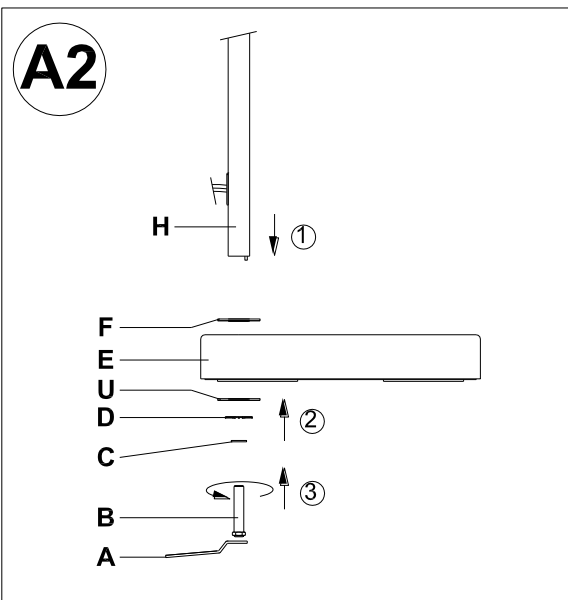
- (A) Wrench (1)
- (L) Small Allen Key (1)
- (S) Big Allen Key (1)



## To Assemble:

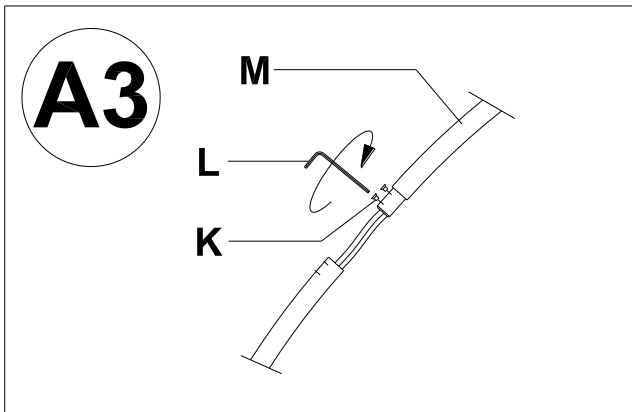


1. Loosen the Hex Nut (G) from Lamp Base (E) using Wrench (A). Discard the Plastic Washer (W) and Hex Nut (G).

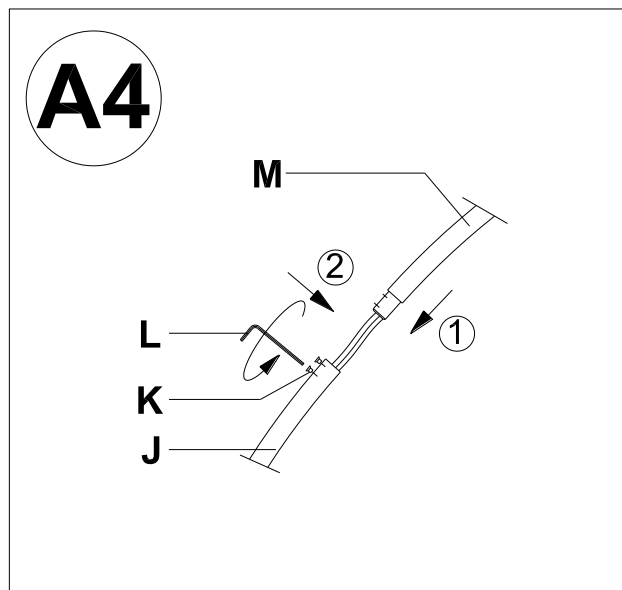


2. Attach the Lower Tube (H) with Metal Plate A (F) onto the Lamp Base (E). Insert the Large Hex Nut (B) with Spring Washer (C), Metal Washer (D) and Metal Plate B (U) into the bottom threaded hole of the Lamp Base (E) and Lower Tube (H). Rotate the Large Hex Nut (B) clockwise using Wrench (A) until tight.

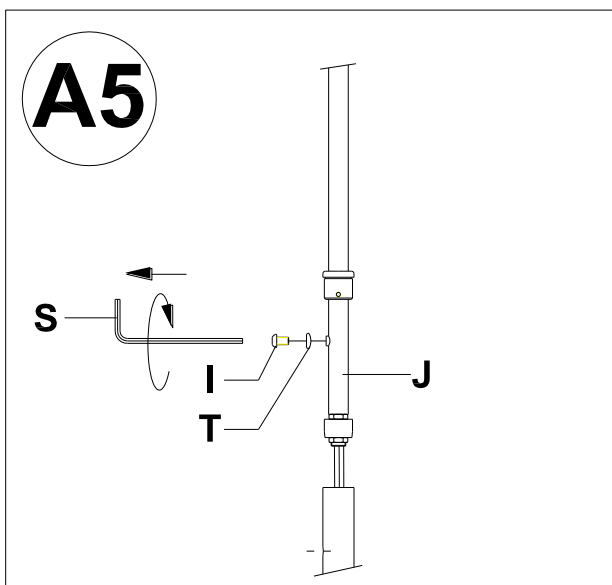
## Overarching Ripple Acrylic Floor Lamp Assembly Instructions



3. Loosen the Set Screws (K) from Top Curved Tube (M) using Small Allen Key (L).

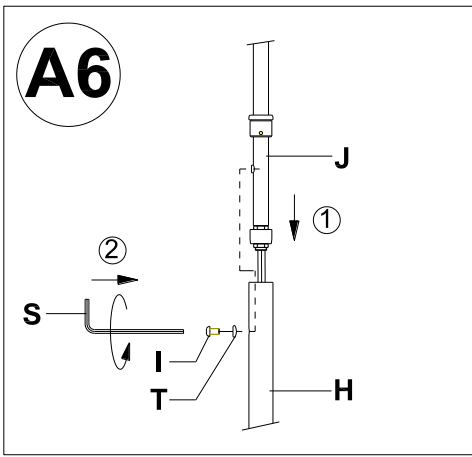


4. Insert the Top Curved Tube (M) into the Upper Curved Tube (J), aligning the screw holes on Top Curved Tube (M) with the holes on Upper Curved Tube (J). Secure the Set Screws (K) into the holes on Upper Curved Tube (J) using Small Allen Key (L) until tight.

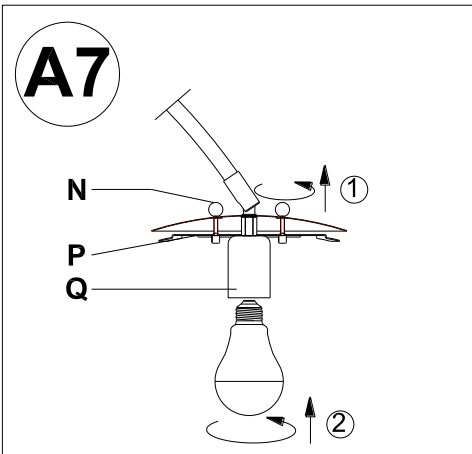


5. Loosen the Big Allen Screw (I) and Round Nut (T) from Upper Curved Tube (J) using Big Allen Key (S).

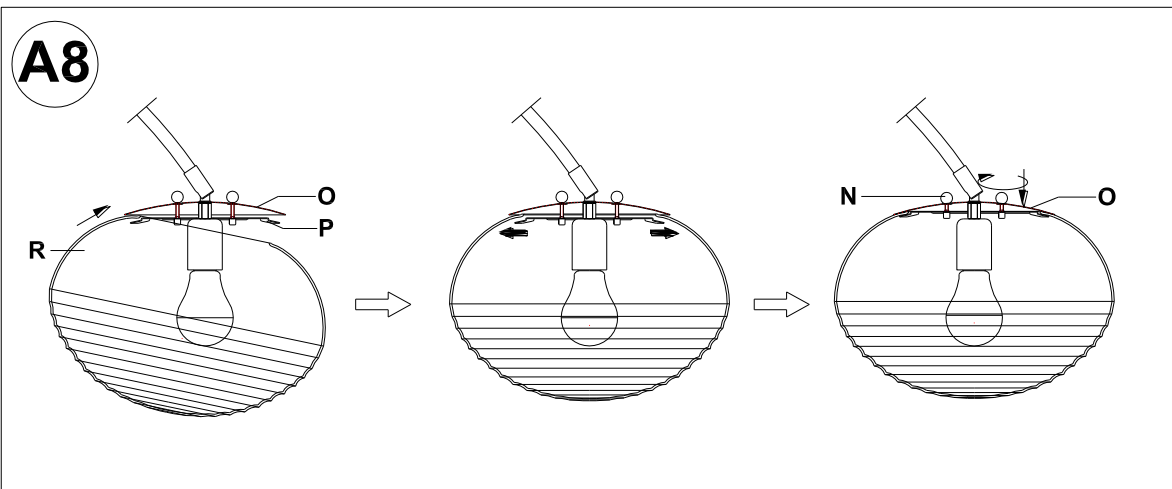
# Overarching Ripple Acrylic Floor Lamp Assembly Instructions



6. Insert the Upper Curved Tube (J) into the Lower Tube (H), and aligning the screw hole on Upper Curved Tube (J) with the hole on the Lower Tube (H). Secure the Big Allen Screw (I) and Round Nut (T) onto the Lower Tube (H) using Big Allen Key (S) until tight.



7. Insert the specified light bulb into the Socket (Q). DO NOT EXCEED THE SPECIFIED WATTAGE. Loosen Ball Nuts (N) from the Shade Bracket (P), BUT DO NOT REMOVE THE BALL NUTS (N) FROM SCREW ON THE SHADE BRACKET(P).



1. Insert the left side of the Acrylic Shade(R) into the space between Shade Cover (O) and Shade Bracket (P).
2. Insert the right side of the Acrylic Shade(R) into the space between Shade Cover (O) and Shade Bracket (P), and then adjust the Acrylic Shade (R) horizontally to fully parallel with the Shade Cover (O).
3. Secure the Ball Nuts (N) onto Shade Cover (O) until tight.

## Care instructions:

- Wipe clean with a soft, dry cloth or static duster.
- Always avoid the use of harsh chemicals or abrasive cleaners as they may cause damage to the fixture's finish.

Thank you for your purchase

Stores | catalog | [www.westelm.com](http://www.westelm.com)

USA 888-922-4119