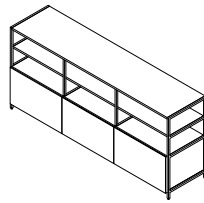


west elm



Lacquer Storage Bookcase  
Bibliothèque de stockage de laque  
Estantería de almacenamiento de laca

Imported by :  
West Elm  
3250 Van Ness, San Francisco, CA 94109

**WARNING**

For use with televisions weighing 80 lbs / 36.2 (Kg) or less with a maximum width of 47 inches / 121 (cm) which represents the overall width or inside dimension of the unit the TV will be placed on.  
Attention : this unit is not rated for use with a CRT type television.

**WARNING**

Death or serious injury may occur when children climb on audio and/or video equipment furniture. A remote control or toys placed on the furnishing may encourage a child to climb on the furnishing and as a result the furnishing may tip over on to the child.

**WARNING**

Relocating audio and/or video equipment to furniture not specifically designed to support audio and/or video equipment may result in death or serious injury due to the furnishing collapsing or over turning onto a child.

All other support shelves should not be loaded more than 25 lbs.

**DO NOT EXCEED RECOMMENDED LOAD.** Use with heavier televisions may result in instability causing tip over resulting in death or serious injury.

Please use caution when using electrical equipment. Improper use could result in the risk of fire, electric shock or injury to persons associated with the use of this unit during operation, user-maintenance, loading, storage, and, as applicable, electrical issues including grounding or double-insulation.

Electronic components generate heat that may cause damage to the equipment. Please refer to the manufacturer's owner's manual for space and ventilations requirements.

Do not allow children under 16 years to move cart.

04-000077-3

Imported by :  
West Elm  
3250 Van Ness, San Francisco, CA 94109

**WARNING**

For use with televisions weighing 80 lbs / 36.2 (Kg) or less with a maximum width of 47 inches / 121 (cm) which represents the overall width or inside dimension of the unit the TV will be placed on.  
Attention : this unit is not rated for use with a CRT type television.

**WARNING**

Death or serious injury may occur when children climb on audio and/or video equipment furniture. A remote control or toys placed on the furnishing may encourage a child to climb on the furnishing and as a result the furnishing may tip over on to the child.

**WARNING**

Relocating audio and/or video equipment to furniture not specifically designed to support audio and/or video equipment may result in death or serious injury due to the furnishing collapsing or over turning onto a child.

All other support shelves should not be loaded more than 25 lbs.

**DO NOT EXCEED RECOMMENDED LOAD.** Use with heavier televisions may result in instability causing tip over resulting in death or serious injury.

Please use caution when using electrical equipment. Improper use could result in the risk of fire, electric shock or injury to persons associated with the use of this unit during operation, user-maintenance, loading, storage, and, as applicable, electrical issues including grounding or double-insulation.

Electronic components generate heat that may cause damage to the equipment. Please refer to the manufacturer's owner's manual for space and ventilations requirements.

Do not allow children under 16 years to move cart.

04-000077-3

Imported by :  
West Elm  
3250 Van Ness, San Francisco, CA 94109

**WARNING**

For use with televisions weighing 80 lbs / 36.2 (Kg) or less with a maximum width of 47 inches / 121 (cm) which represents the overall width or inside dimension of the unit the TV will be placed on.

Attention : this unit is not rated for use with a CRT type television.

**WARNING**

Death or serious injury may occur when children climb on audio and/or video equipment furniture. A remote control or toys placed on the furnishing may encourage a child to climb on the furnishing and as a result the furnishing may tip over on to the child.

**WARNING**

Relocating audio and/or video equipment to furniture not specifically designed to support audio and/or video equipment may result in death or serious injury due to the furnishing collapsing or over turning onto a child.

All other support shelves should not be loaded more than 25 lbs.

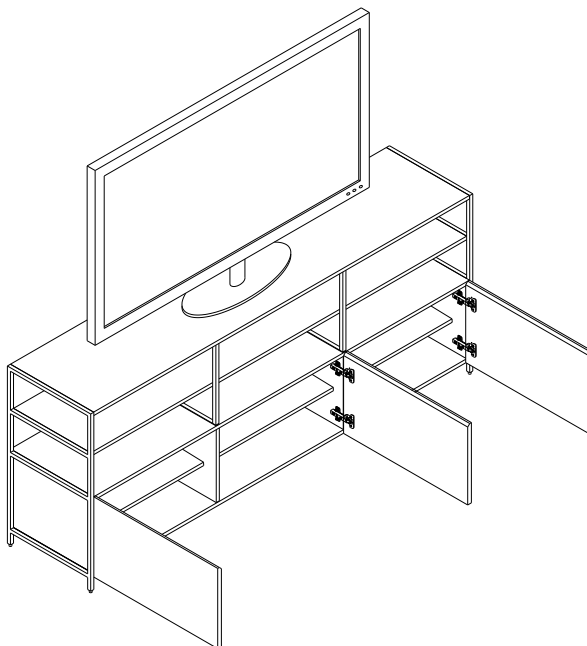
**DO NOT EXCEED RECOMMENDED LOAD.** Use with heavier televisions may result in instability causing tip over resulting in death or serious injury.

Please use caution when using electrical equipment. Improper use could result in the risk of fire, electric shock or injury to persons associated with the use of this unit during operation, user-maintenance, loading, storage, and, as applicable, electrical issues including grounding or double-insulation.

Electronic components generate heat that may cause damage to the equipment. Please refer to the manufacturer's owner's manual for space and ventilations requirements.

Do not allow children under 16 years to move cart.

04-000077-3



! Maximum load on each drop front door is 20 lbs(9.1kg).

!!La charge maximale permise sur chaque porte versante avant est de 9.1kg / 20 lb

! Carga máxima para cada puerta es de 20 lbs(9.1kg).

For use with televisions weighing 80 lbs / 36.2 (Kg) or less with a maximum width of 47 inches (121 cm).

Pour utilisation avec des téléviseurs pesant moins de 80 lb / 36.2 (kg) et étant d'une largeur maximale de 47 po/121 cm.

Para uso con televisores de 80 lbs/36.2Kgs de peso o menos con un ancho máximo de 47 pulgadas/121cm.

Product weighing 25 pounds (11.3 kg) maximum per shelf

Produit pesant 25 livres (11.3 kg) maximum par plateau.

Productos de 25lbs (11.3 kg) de peso máximo.

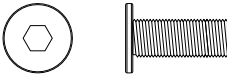
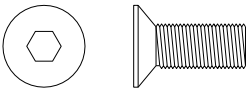
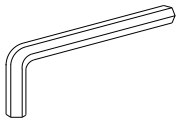
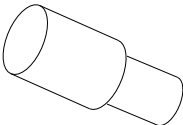
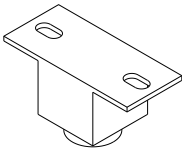
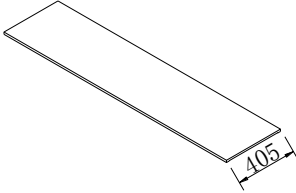
- ! Do not throw away packaging materials until assembly is complete.
- ! Assemble this item on a soft surface, such as cardboard or carpet, to protect finish.
- ! Do not fully tighten all bolts until all parts are in place.
- ! Proper assembly of this item requires 2 people.
- ! Ne jetez pas le matériel d'emballage avant d'avoir terminé le montage.
- ! Montez cet article sur une surface lisse, telle que du carton ou un tapis, pour en protéger la finition.
- ! Ne pas serrer complètement les boulons avant que toutes les pièces soient mises en place.
- ! Deux personnes sont nécessaires pour monter cet article de façon adéquate.
- ! No descarte los materiales de embalaje hasta finalizar el ensamblaje.
- ! Ensamble el producto sobre una superficie suave, como cartón o alfombra, para proteger el acabado.
- ! No apriete todos los pernos hasta que todas las partes estén en su lugar
- ! Se requieren 2 personas para ensamblar el producto de forma adecuada.

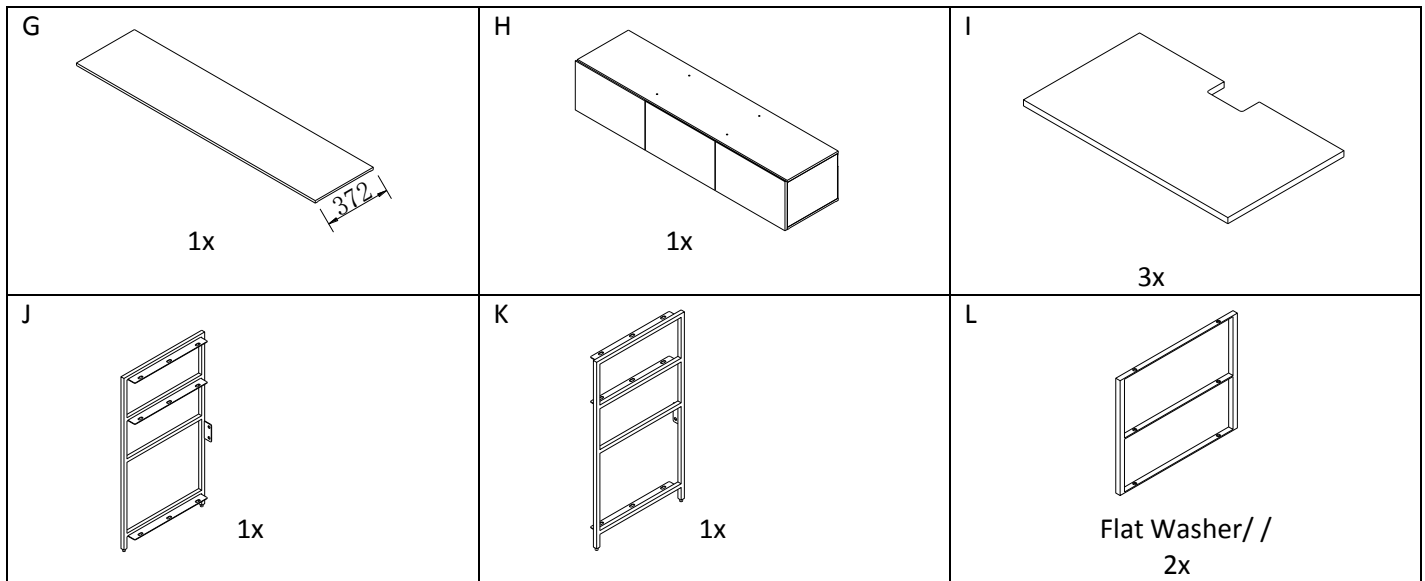
CARE INSTRUCTIONS/ENTRETIEN/INSTRUCCIONES DE CUIDADO

Hardware may loosen overtime. Periodically check that all connections are tight. Wipe with a soft, dry cloth. To protect finish, avoid the use of chemicals and household cleaners. All hot serving dishes should be placed on a pad. Any liquid spilled onto the furniture should be cleaned up immediately with a damp cloth.

Le matériel peut se desserrer avec le temps. Vérifiez régulièrement que tous les raccords sont bien serrés. Essuyez à l'aide d'un linge doux et sec. Pour protéger la finition, évitez l'utilisation de produits chimiques et de détergents ménagers. Tous les plats de service chauds doivent être déposés sur un dessous de plat. Tout déversement doit être nettoyé immédiatement à l'aide d'un linge humide.

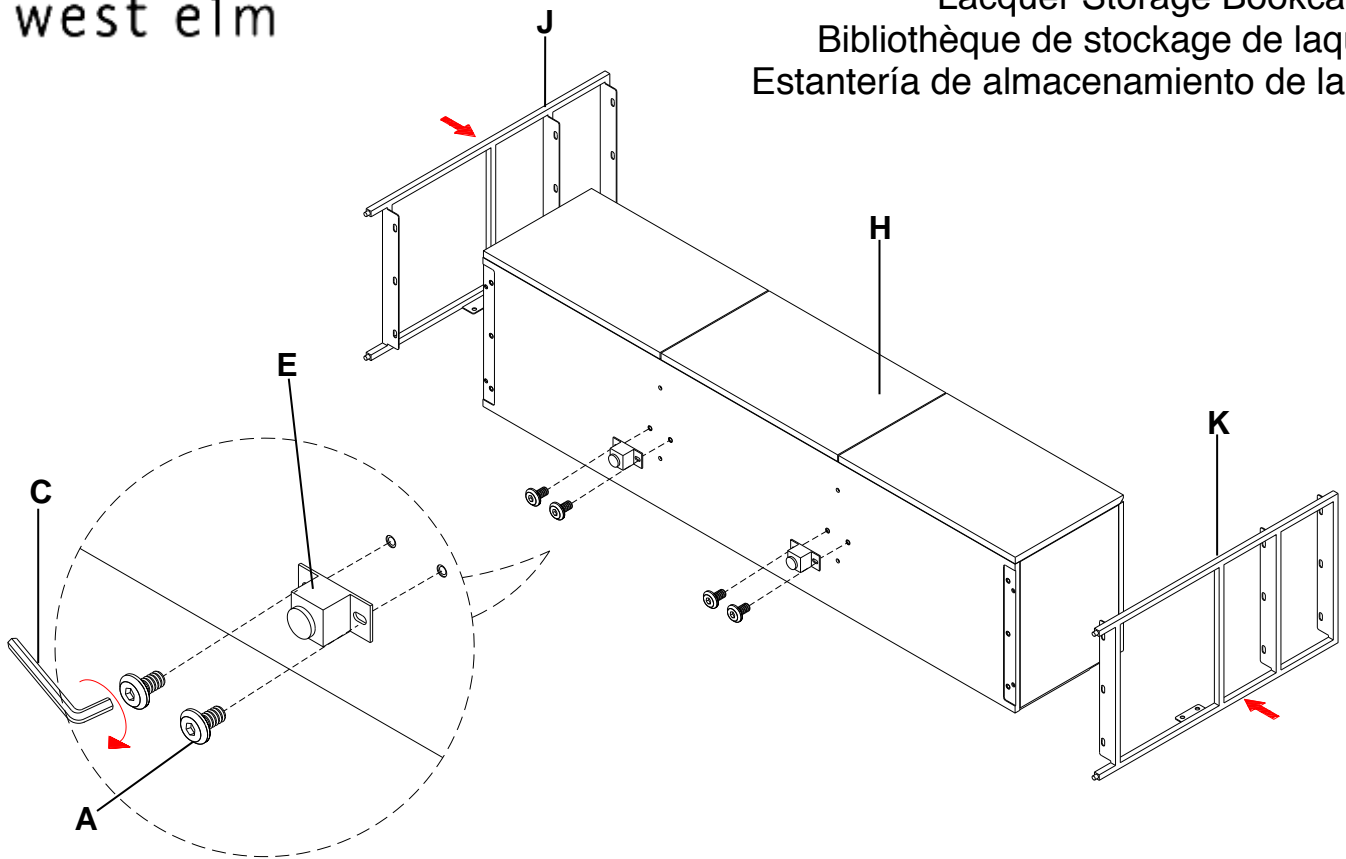
Las partes pueden aflojarse con el tiempo. Chequee de manera constante que todas las conexiones estén ajustadas. Limpie con un trapo suave y seco. Para proteger el acabado, evite el uso de químicos y limpiadores domésticos. Cualquier plato caliente debe ser colocado sobre manteles. Si derrama algún líquido sobre la mesa, debe limpiarlo de inmediato con un paño húmedo.

<p>A</p>  <p>Bolt /Boulon/Perno M6 x10mm 36x</p>	<p>B</p>  <p>Bolt /Boulon/Perno M6 x 12mm 4x</p>	<p>C</p>  <p>M4 1x</p>
<p>D</p>  <p>12x</p>	<p>E</p>  <p>2x</p>	<p>F</p>  <p>***** / 1x</p>



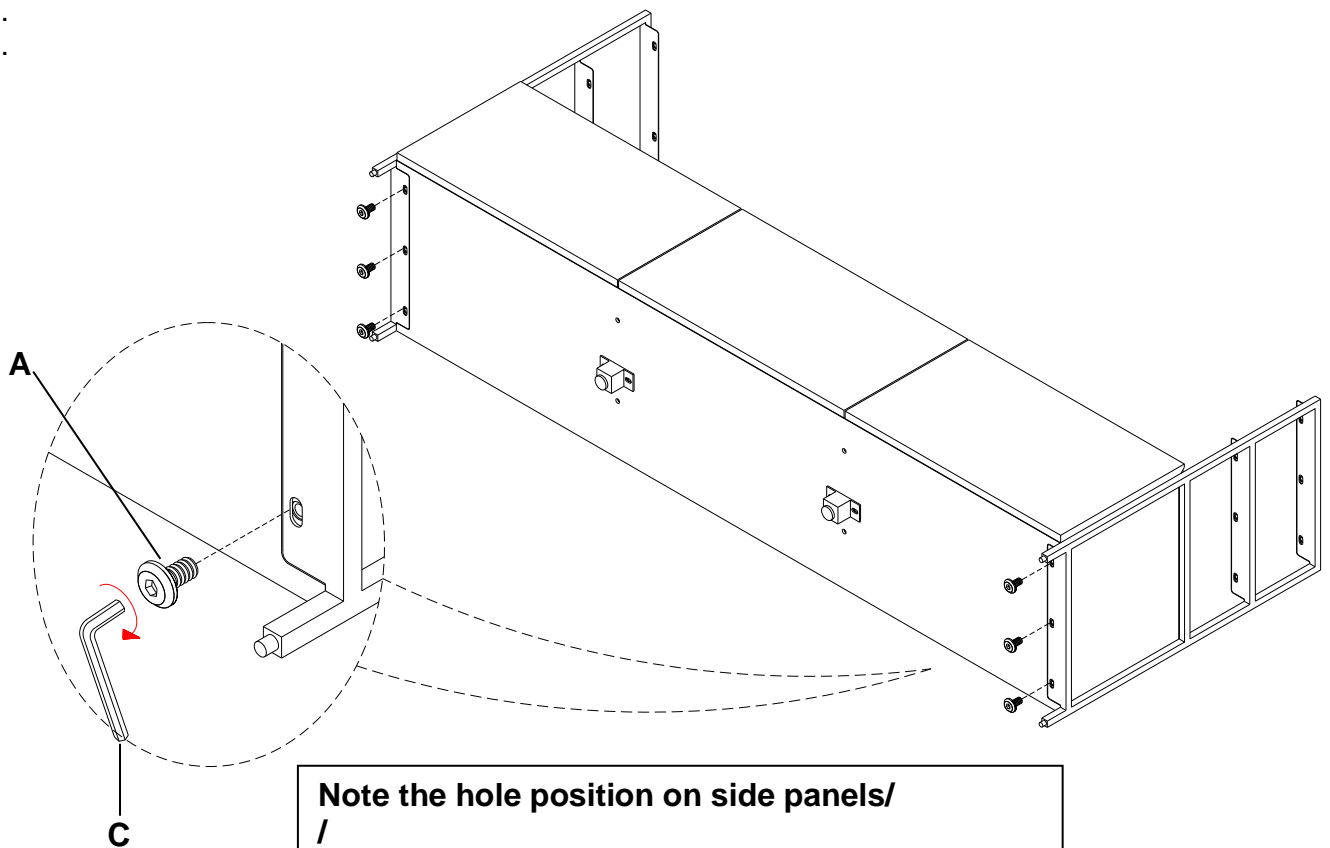
### Bookcase Assembly Instruction / /

1. Place Cabinet (A) on its top on a soft surface. Attach 2 legs (B) to the bottom of cabinet as shown, insert Bolts (E) thru Spring Washers (F) and Flat Washers (G) and tighten with Allen Wrench (H).
1. Placez le cabinet (A) à l'envers sur une surface douce. Attachez les 2 pieds (B) sur le dessous du cabinet comme démontré, insérez des boulons (E) dans des rondelles à ressort (F) et dans des rondelles plates (G) et serrez-les à l'aide d'une clé hexagonale (H).
1. Coloque el Gabinete (A) boca arriba sobre una superficie suave. Anexe 2 patas (B) a la parte baja del gabinete como se muestra, inserte Pernos (E) a través de las Arandelas Resorte (F) y Arandelas Planas (G) y apriete con la Llave Allen (H).



1. Insert Dowel (N) to Right Side Panel (d) and screw the Cam Lock Bolt (P) into Right Side Panel (d) as shown. Attach Right Side Panel (d) to the assembly, insert Cam Lock (O) and tighten with Flat Head Screwdriver. Repeat the step to install the Left Side Panel (c).

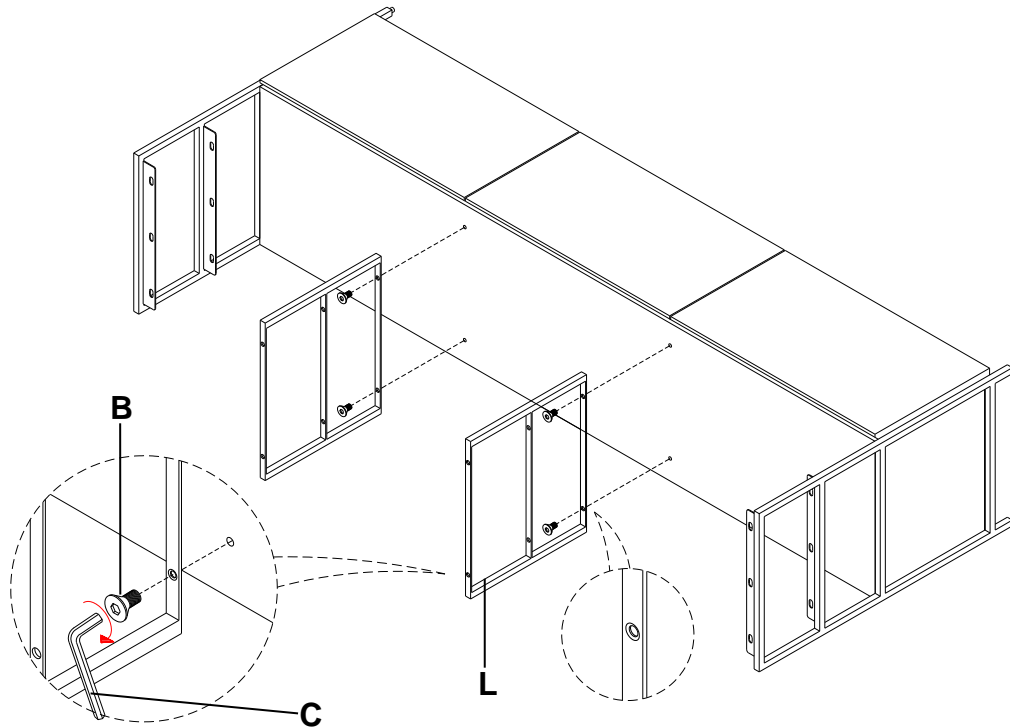
1.  
1.



**Note the hole position on side panels/  
/**

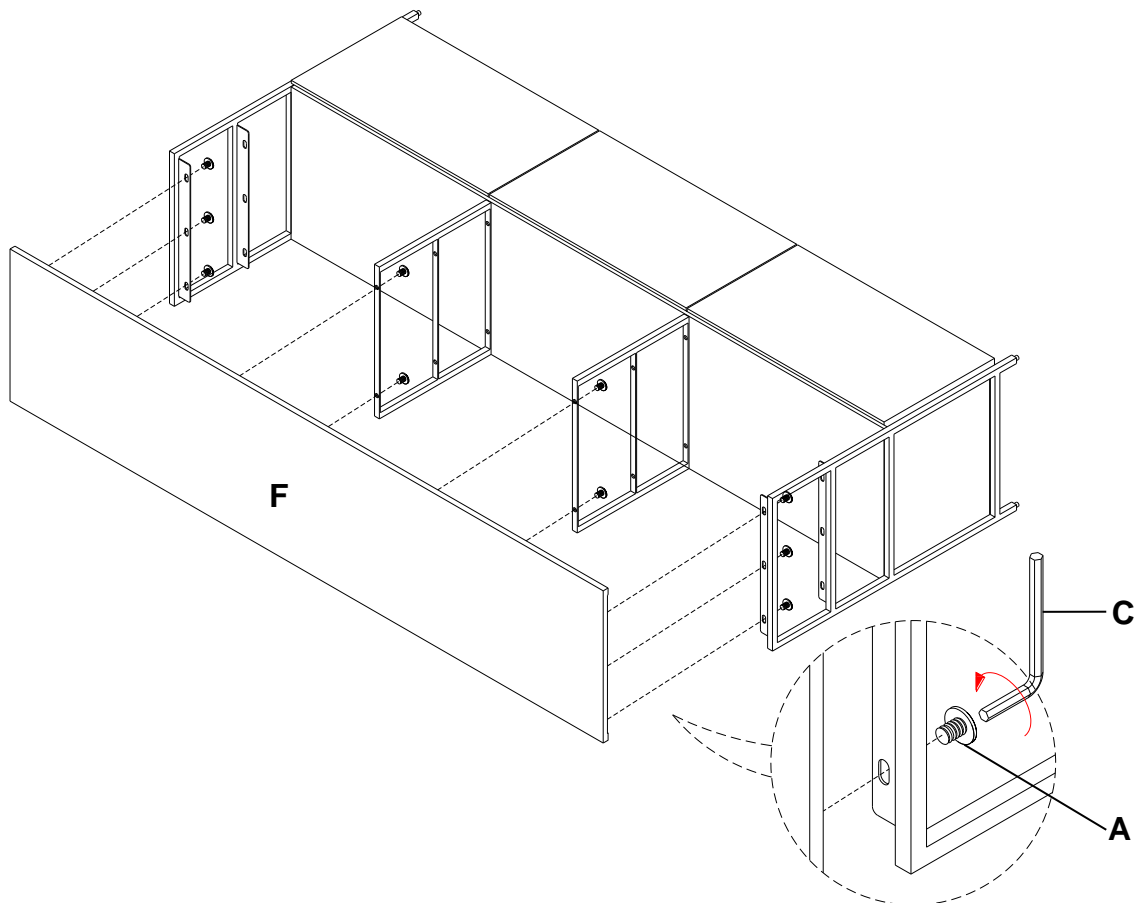
2. Insert Dowel (N) to Panels (c/d/e). Screw The Cam Lock Bolt (P) into Top Panel (a) as shown. Attach Top Panel (a) to assembly, insert Cam Lock (O) and tighten with Flat Head Screwdriver.

2.  
2.



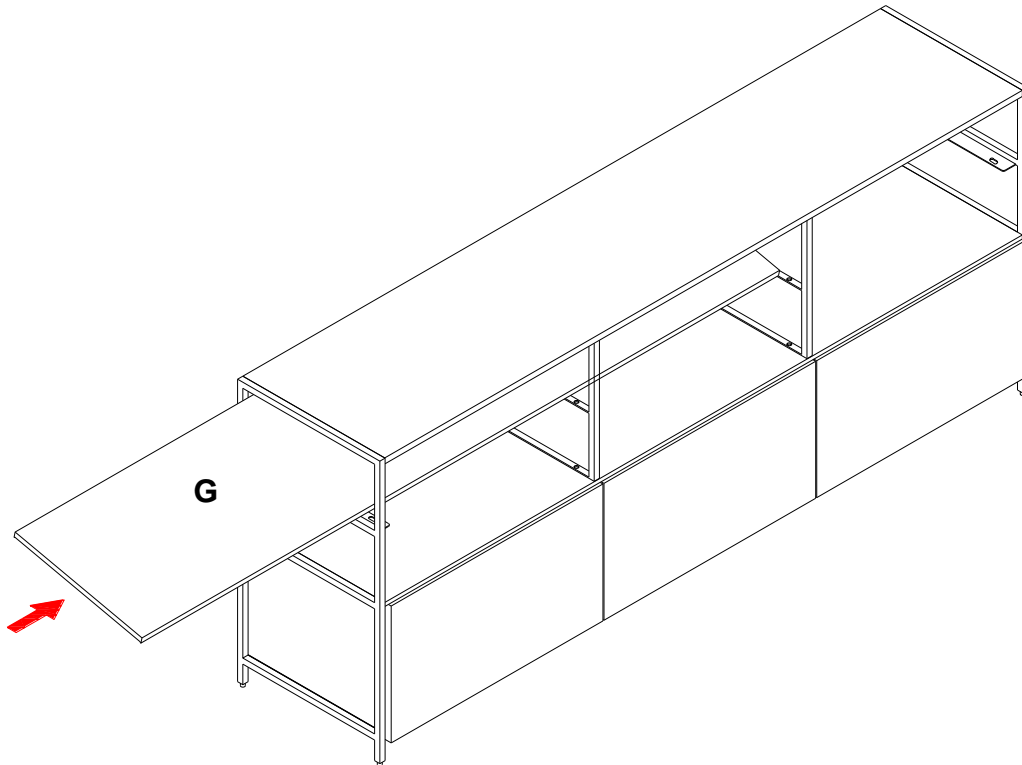
3. Insert Dowel (N) to Panels (c/d/e) as shown and then attach Bottom Panel (b) to the assembly. Insert Flat Head Screw (s) and tighten with Hex Key (I).

3.  
3.



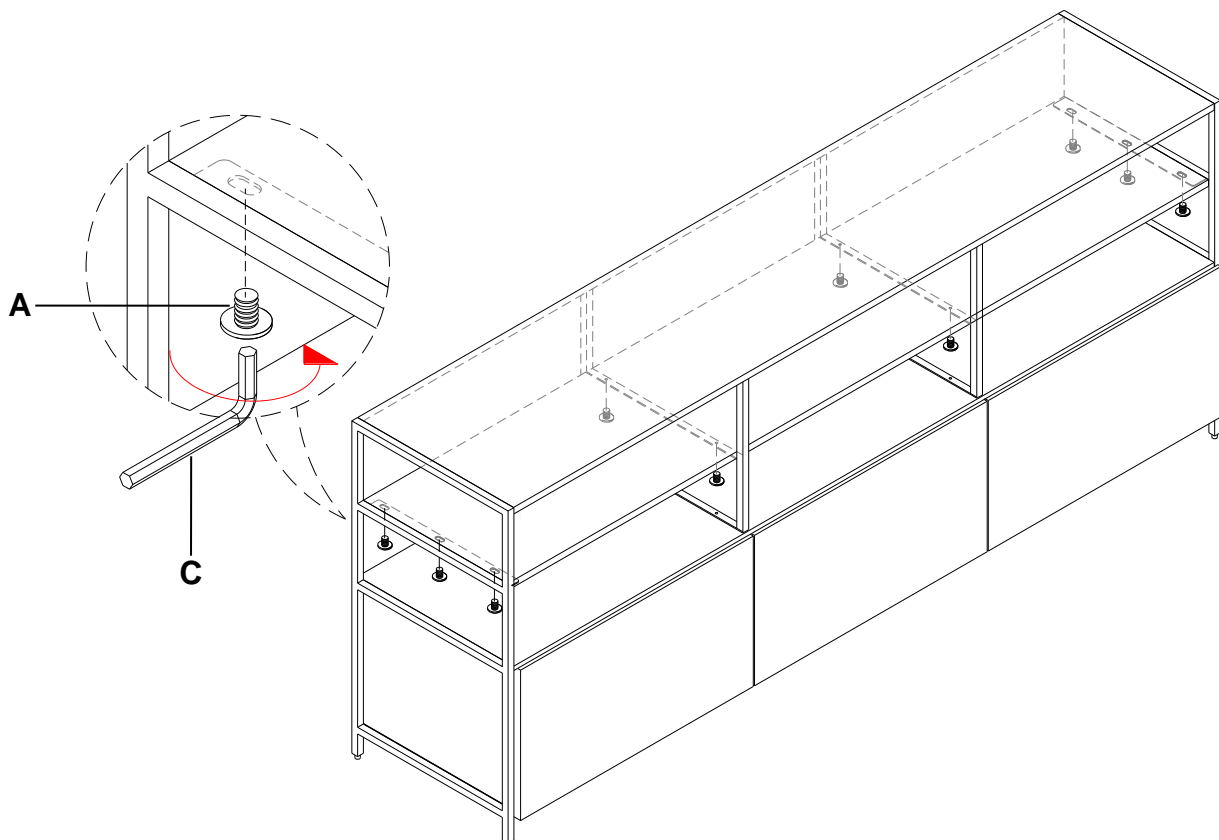
4. Gently turn the assembly upright. Attach Back Panel (h) to the assembly, insert the Bolt (F) to the top level of back panel as shown and tighten with Hex Key (I).

4.  
4.

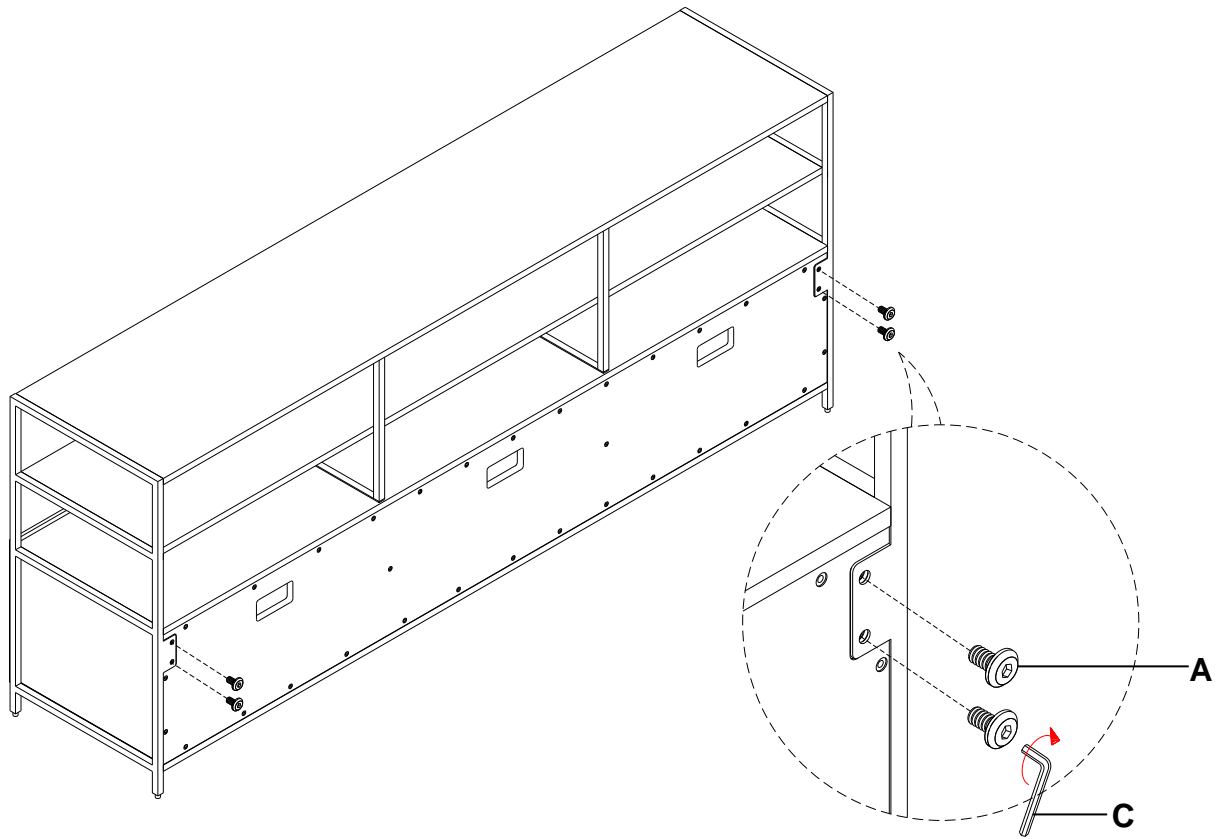


5. Carefully turn the assembly down again as shown. Fix the bottom level of back panel with Bolt (F) and tighten with Hex Key (I).

5.  
5.

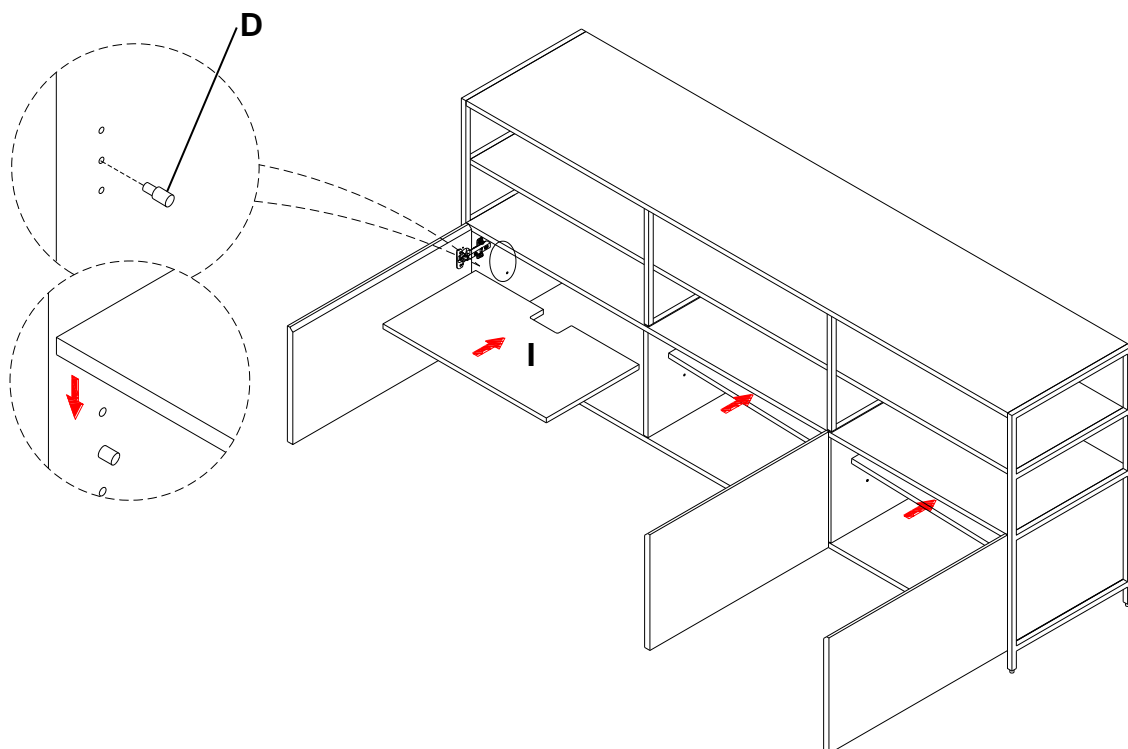


- 6. Turn the bookcase upside down. Insert the Flat Head Screw (S) and tighten with Hex Key (I).
- 6.
- 6.



- 7. Attach Metal Base (i) to the assembly as shown, insert the Bolt (K) thru Lock Washer (H) and Flat Washer (G), and tighten with Hex Key (I).  
 Tighten up all the connections and gently turn the bookcase upright, assembly is complete!

- 7.
- 7.





west elm

Lacquer Storage Bookcase  
Bibliothèque de stockage de laque  
Esterería de almacenamiento de laca

3.

