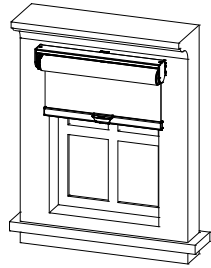


Cordless Roller Shade Installation Instruction



With Raceway and Fabric Wrapped Valance

Recommended Tools

- Screw gun / Drill
- Tape Measure
- Screwdriver
- Level
- Pencil



Hardware Included

1. Screws needed for installing

Hardware	Drawing	Usage
1 1/4" Hexagon screw		To install bracket

2. Hardware for Roller shade with Raceway System

Hardware	Drawing	Usage
Mounting bracket		To install Shade
Valance bracket		To install Valance (mounted on raceway)
Valance clip		To install Valance (placed on Valance)
Handle		For Cordless Shades
Shade Bracket cover		Shade bracket cover (Pre-installed on the shade bracket)

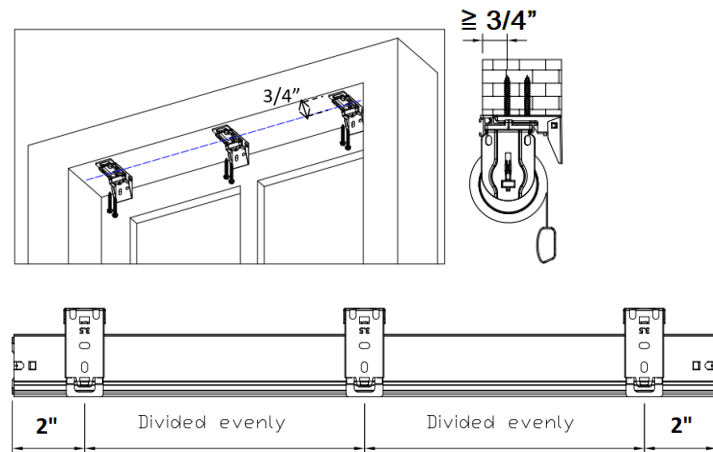
3 - Usage for Mounting bracket, Valance bracket, Valance clip

Shades Width (X)	Mounting bracket	Valance bracket	Valance clip
20" ≤ X ≤ 33"	2 pcs	2 pcs	2 pcs
34" ≤ X ≤ 40"	2 pcs	3 pcs	3 pcs
41" ≤ X ≤ 54"	3 pcs	3 pcs	3 pcs
55" ≤ X ≤ 72"	3 pcs	4 pcs	4 pcs

Shade Bracket Installation

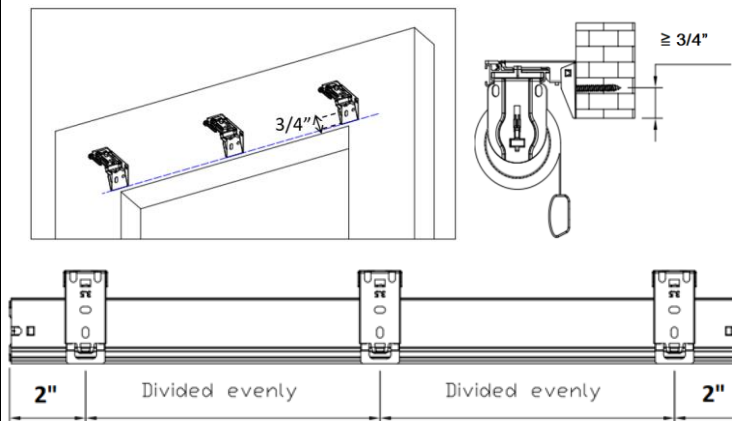
※Installation of Roller Shade with Raceway System (Inside Mount)

- ① Measure 2" in from top left and top right of where the blind will sit, and mark where the screws will go.
- ② When installing the mounting bracket, the distance from the bracket's mounting hole to the edge of the window frame should be at least 3/4".
- ③ Make sure all brackets line up with each other horizontally. Each bracket will require two 1 1/4" hexagon screws for the installation.
- ④ If more brackets are supplied, space them evenly between the first two brackets.



※Installation of Roller Shade with Raceway System(Outside Mount)

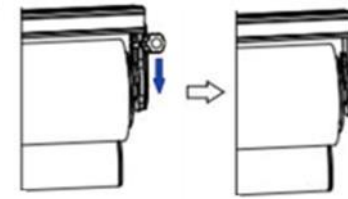
- ① Measure 2" in from top left and top right of where the blind will sit, and mark where the screws will go.
- ② When installing the mounting bracket, the distance from the bracket's mounting hole to the edge of the window frame should be at least 3/4".
- ③ Make sure all brackets line up with each other horizontally. Each bracket will require two 1 1/4" hexagon screws for the installation.
- ④ If more brackets are supplied, space them evenly between the first two brackets.



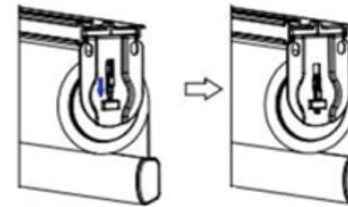
Shade Installation and Removal

- Before installing the shade into the mounting brackets, please locate the lock pin in the shade bracket on the end plug side. Slide the pin downward into the end plug to prevent the shade from falling.

Front view...

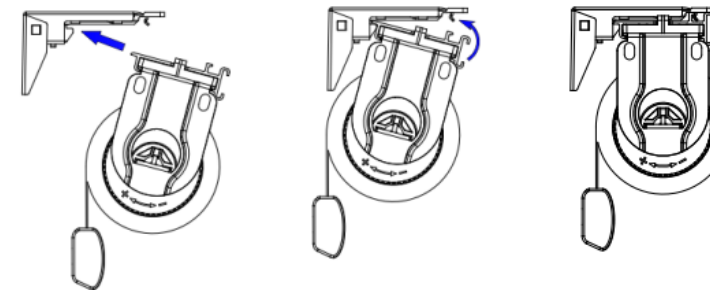


Side view...



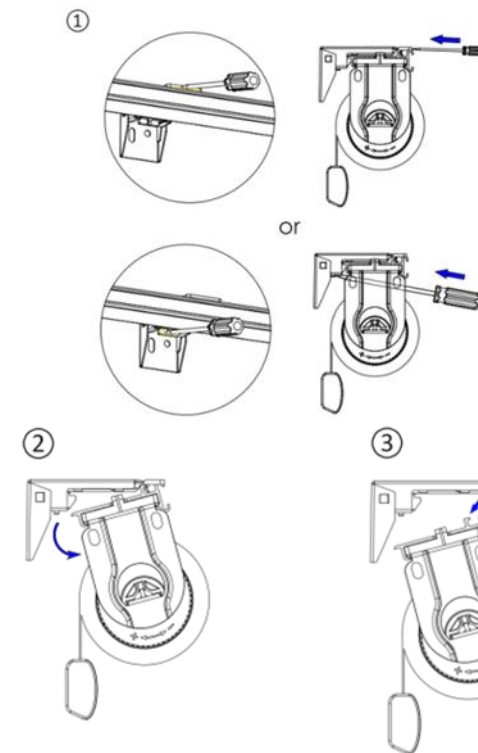
The way to attach the shade to mount brackets....

- Insert the back edge of the raceway into the back plastic part of the bracket, and then turn the raceway upwards so that the front rib of the raceway snaps into the bracket.



※Removal of Roller Shade with Raceway System

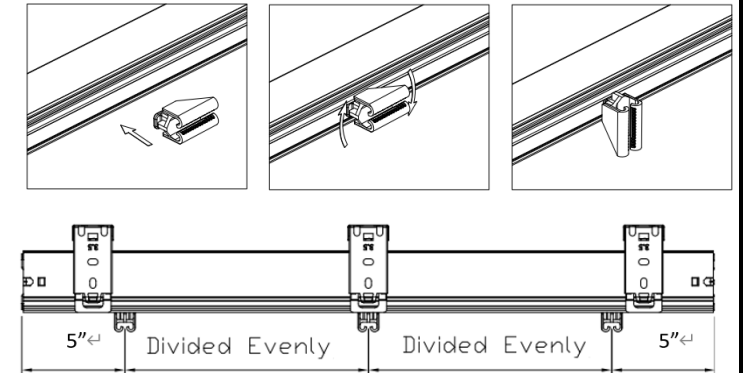
- ① Use a tool to push back the front or back plastic part of the brackets.
- ② Turn the back side of the raceway downward so that it detaches from the bracket.
- ③ Finally remove the raceway by pulling downward from the brackets.



Fabric Valance Installation

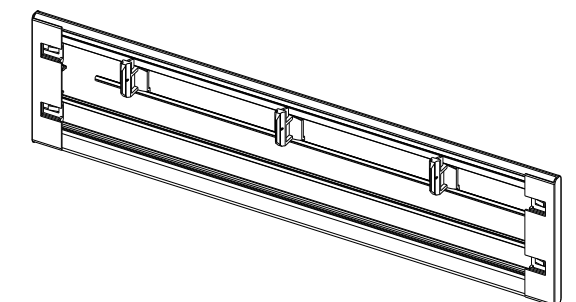
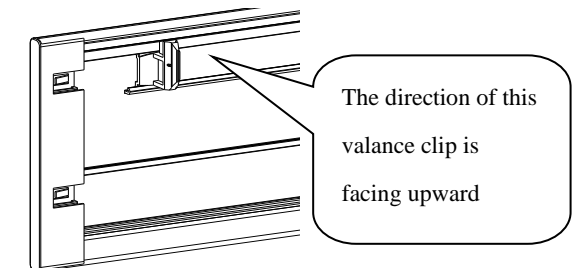
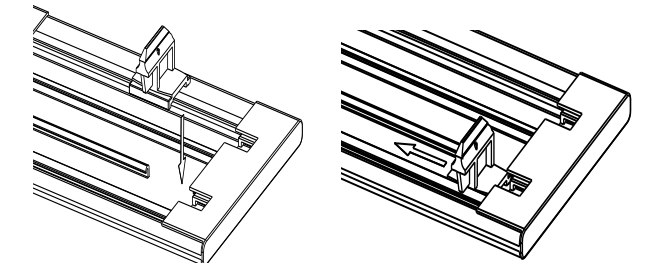
Valance Bracket Installation

- After installing the shade, the brackets for the valance come next. Align the valance bracket with the raceway first and then push the bracket onto the raceway. The top groove of the valance bracket should hook onto the top of the raceway while the bracket's bottom groove clips into the bottom rib of the raceway, as shown below. The drawing below shows the valance brackets installed in an ideal position.



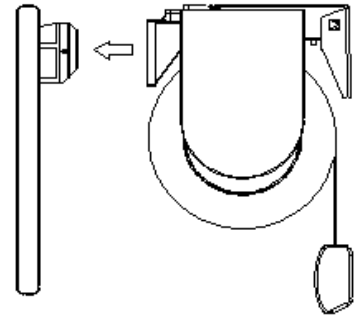
Valance Clip Installation

- Insert the valance clip from the notch of dedicated groove on the back of valance, paying special attention to the direction the valance clip, the valance clip should face upwards.
- Slide the valance clips to locations aligned with the valance bracket as pictured below.
- If the valance clip is accidentally installed in wrong direction, do not force the valance clip into groove but easily take it out to prevent from breaking the trail.



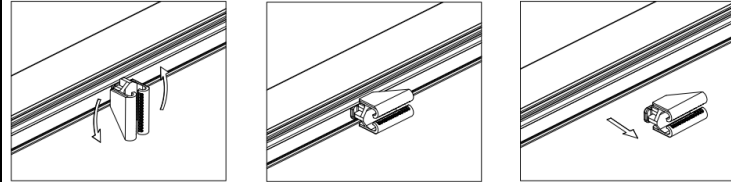
Attach Valance to Shade

Slide the valance clips to a position on the valance so that they are each aligned with a valance bracket on the shade, and then push the valance clips into the valance bracket.



Valance Removal

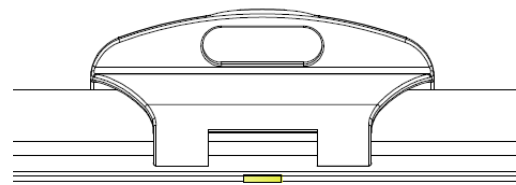
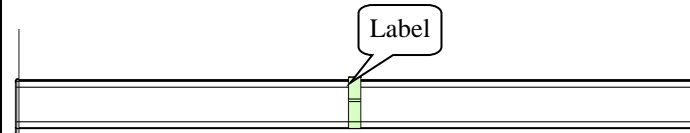
- First, remove Valance together with valance clip from valance bracket.
- Take down shade from mounting bracket before removing valance bracket from raceway.
- Turn the valance bracket 90 degree then take off valance bracket from raceway, as shown below.



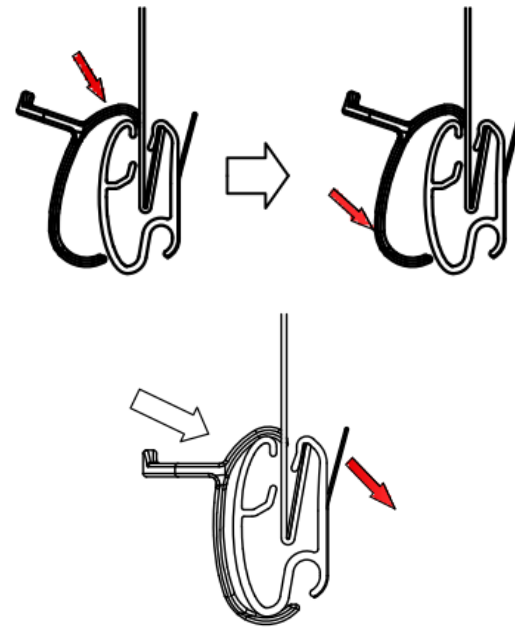
How to install or remove Handle for Cordless Shade

● Attach Handle to Hem Bar

- Turn over hem bar and you can see a label attached at the center of hem bar. Align the center of the bottom of handle with the label and hook the handle to the hem bar from top to bottom.
- Press the handle from top to bottom to make the top of handle clip into the hem bar.
- Finally tear off the label from hem bar.

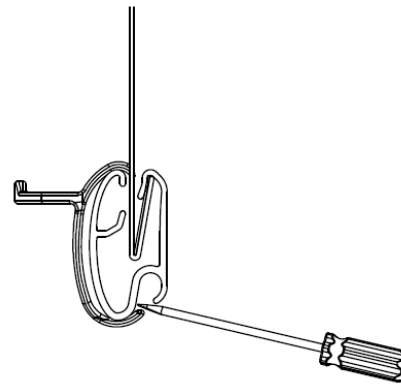


The center of handle should be aligned with the label.



● Remove handle from hem bar

Use straight screwdriver to pry the bottom of Handle from hem bar and then handle can be removed.

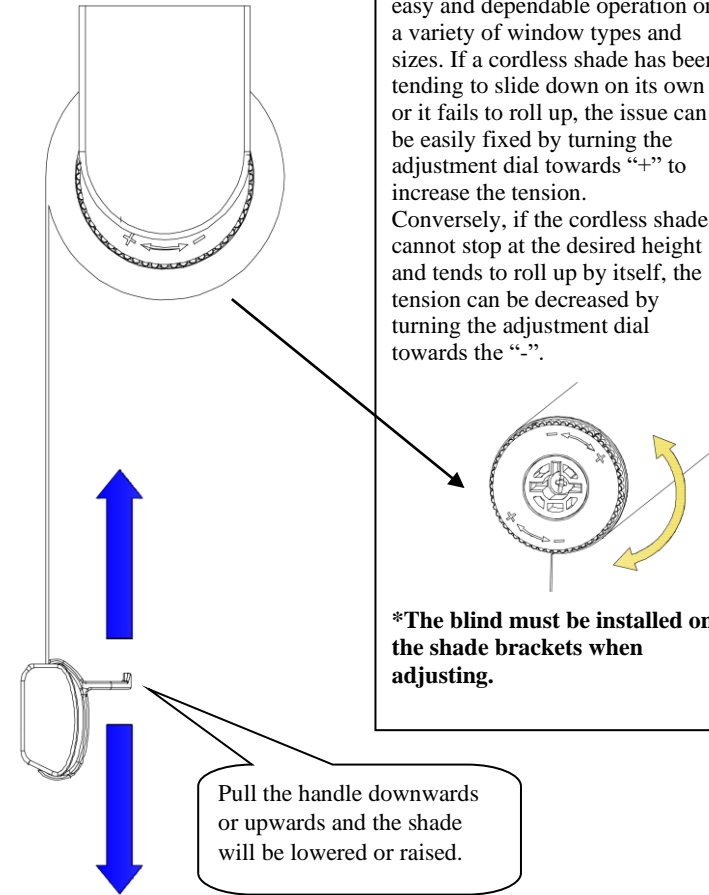


Roller Shade Operation

Cordless Operation

The tension in our cordless roller shades can be adjusted to provide optimal light control and to ensure easy and dependable operation on a variety of window types and sizes. If a cordless shade has been tending to slide down on its own or it fails to roll up, the issue can be easily fixed by turning the adjustment dial towards "+" to increase the tension. Conversely, if the cordless shade cannot stop at the desired height and tends to roll up by itself, the tension can be decreased by turning the adjustment dial towards the "-".

*The blind must be installed on the shade brackets when adjusting.



Pull the handle downwards or upwards and the shade will be lowered or raised.