

### CAUTION:

- **BEFORE INSTALLING FIXTURE, MAKE SURE THE POWER TO THE CIRCUIT IS TURNED OFF AT THE MAIN FUSE BOX / CIRCUIT BREAKER UTILITY BOX.**

### Important Safety Instructions:

- These instructions are provided for your safety. It is very important that they are read carefully and completely before beginning the assembly and installation of this lighting fixture.
- We strongly recommend that a professional electrician install all direct wire fixtures.
- THIS PRODUCT MUST BE INSTALLED IN ACCORDANCE WITH THE APPLICABLE INSTALLATION CODES BY A PERSON FAMILIAR WITH THE CONSTRUCTION AND OPERATION OF THE PRODUCT AND THE HAZARDS INVOLVED.
- It is suggested to replace damaged dimmer switch with the recommended models.
- It must be connected only to 3-wire, single-phase electrical supply systems (provided with Ground wire or equivalent protection system).
- For your safety, it is strongly recommended that two people install the lighting fixture.
- The lighting fixture is meant for indoor use. DRY LOCATIONS ONLY
- LED BULBS ARE NON-REPLACEABLE.
- **Save these instructions.**

### WARNING:

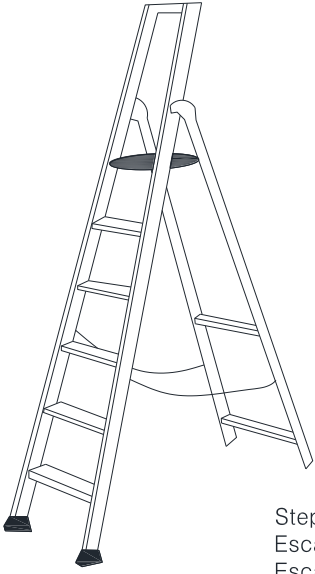
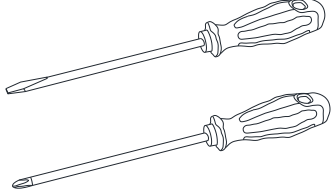
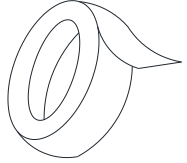
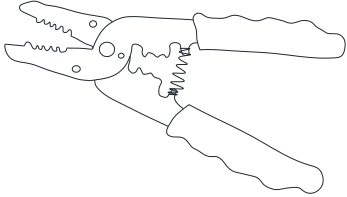
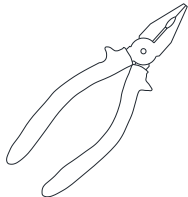
- **Do not touch bulb when fixture is turned on. Do not look directly at lit bulb.**
- **Keep flammable materials away from lit bulb.**
- **This lighting fixture contains lead, a chemical known to the State of California to cause cancer, birth defects and other reproductive harm. Wash hands after installing, handling, cleaning or otherwise touching this light fixture.**

### Pre-assembly:

- Remove all parts and hardware from box along with any plastic protective packaging.
- Do not discard any contents until after assembly is complete to avoid accidentally discarding small parts or hardware.
- For your safety and convenience, assembly by two people is recommended.

# LED Hoop Chandelier Assembly Instructions

## TOOLS REQUIRED (not included):

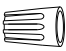



 <p>Step Ladder Escabeau Escalera</p>	 <p>Phillips Head, Flat Blade Screwdrivers Tournevis à tête Phillips et à tête plate Destornilladores Cabeza Phillips y Destornilladores Cabeza Plana</p>	 <p>Electrical tape Ruban isolant Cinta Electrica.</p>
	 <p>Wire Cutter/Stripper Pince coupe-fil/ à dénudé Cortador de Cable</p>	 <p>Plier Pince Alicates</p>

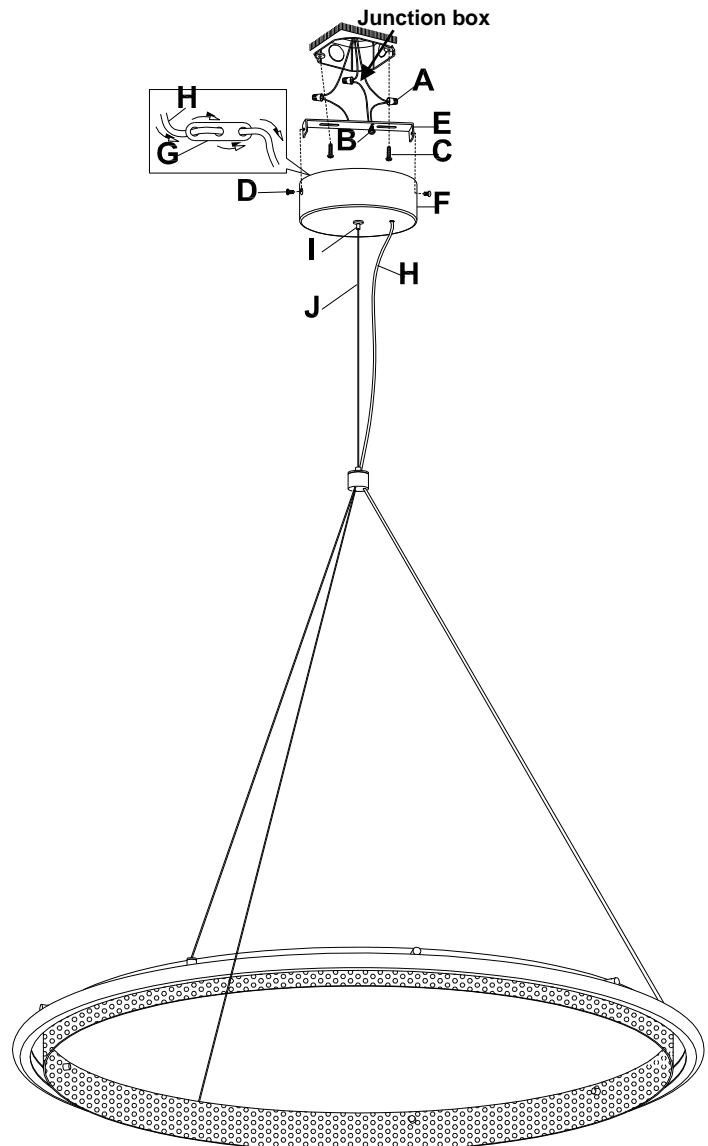
## Parts Included:

- (B) Green Ground Screw (1)
- (D) Canopy Screws (2)
- (E) Mounting Plate (1)
- (F) Canopy (1)
- (G) Plastic Strain Relief (1)
- (H) Power Cord (1)
- (I) Cable Glider (1)
- (J) Steel Cable (1)

## Hardware Enclosed:

- (A) Plastic Wire Nut Connectors (3)
- (C) Mounting Screws (2)

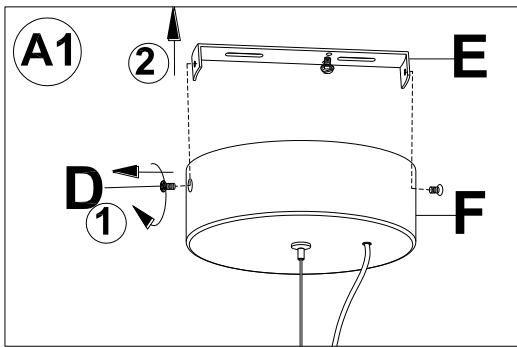
<b>A</b>		3X	<b>B</b>		1X
<b>C</b>		2X	<b>D</b>		2X



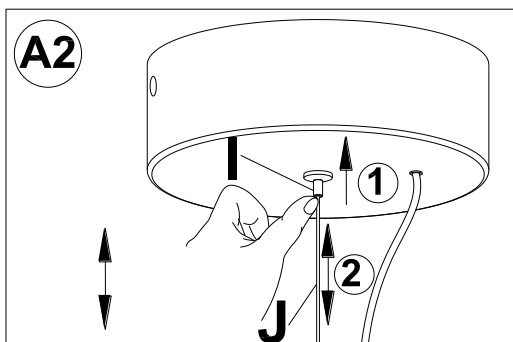
# LED Hoop Chandelier Assembly Instructions

## To adjust the Cable length of the fixture:

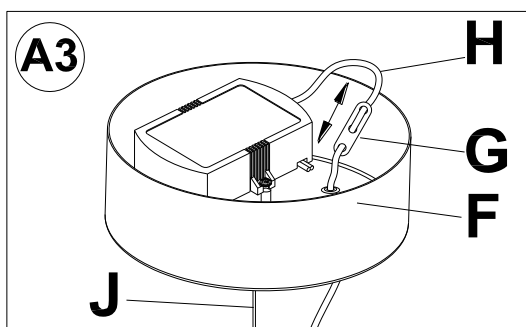
Note: The adjustment or shortening of the lighting fixture's suspension length is only needed if the factory set Power Cord (H) and Steel Cable (J) length is not appropriate for your installation. Determine the lighting fixture suspension length from the ceiling for the product installations, allowing the extra cord length for the outlet junction box wire connections as noted below.



1. Separate the Mounting Plate (E) from Canopy (F) by removing the Canopy Screws (D). Do not discard Canopy Screws (D) as these will be used later.



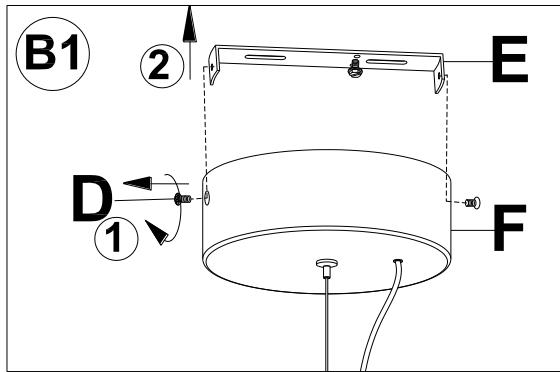
2. Press and hold the Cable Glider (I) upwards under the Canopy (F) and push the Steel Cable (J) into the Canopy (F). Release the Cable Glider (I) once the desired fixture suspension length is determined.



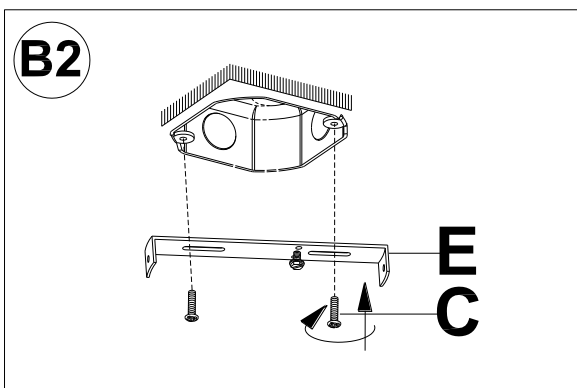
3. Adjust length of the power cable (H) based on length of Steel Cable (J) by the Plastic Strain Relief (G) inside the Canopy (F). **Note: Please make sure suspension length of the power cord (H) is longer than the Steel Cable (J), The fixture will be supported by the Steel Cable (J).**

## Assembly & Installation Instructions:

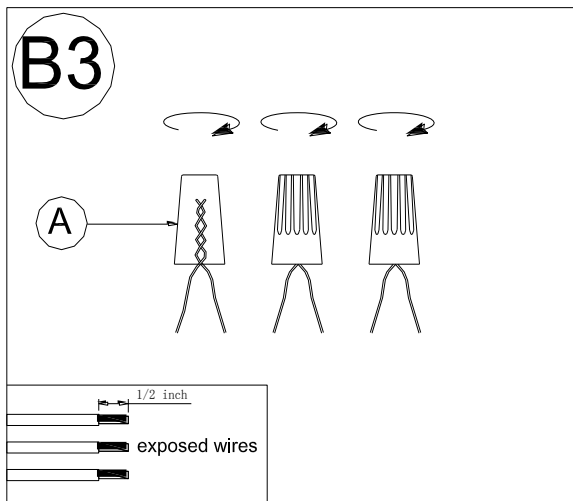
- **SHUT OFF THE MAIN ELECTRICAL SUPPLY FROM THE MAIN FUSE BOX/CIRCUIT BREAKER.**
- Carefully unpack all fixture parts and hardware and lay them on a clear workspace.



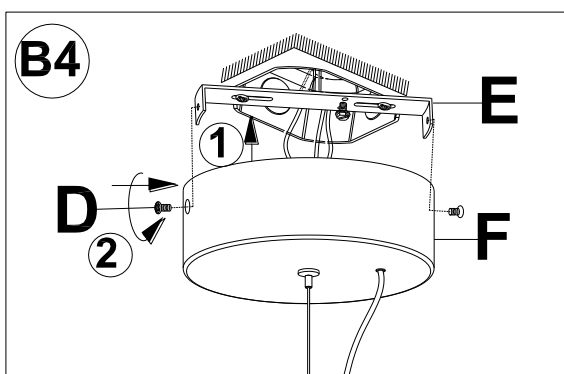
1. Separate the Mounting Plate (E) from Canopy (F) by removing the Canopy Screw (D). Do not discard Canopy Screws (D) as these will be used later.



2. Gently pull existing wire down from the ceiling junction box and allow wires to hang. Attach the Mounting Plate (E) to the outlet box using the two J-Box Mounting Screws (C). Tighten each screw clockwise until the Mounting Plate (E) is firmly secured to the J-Box.



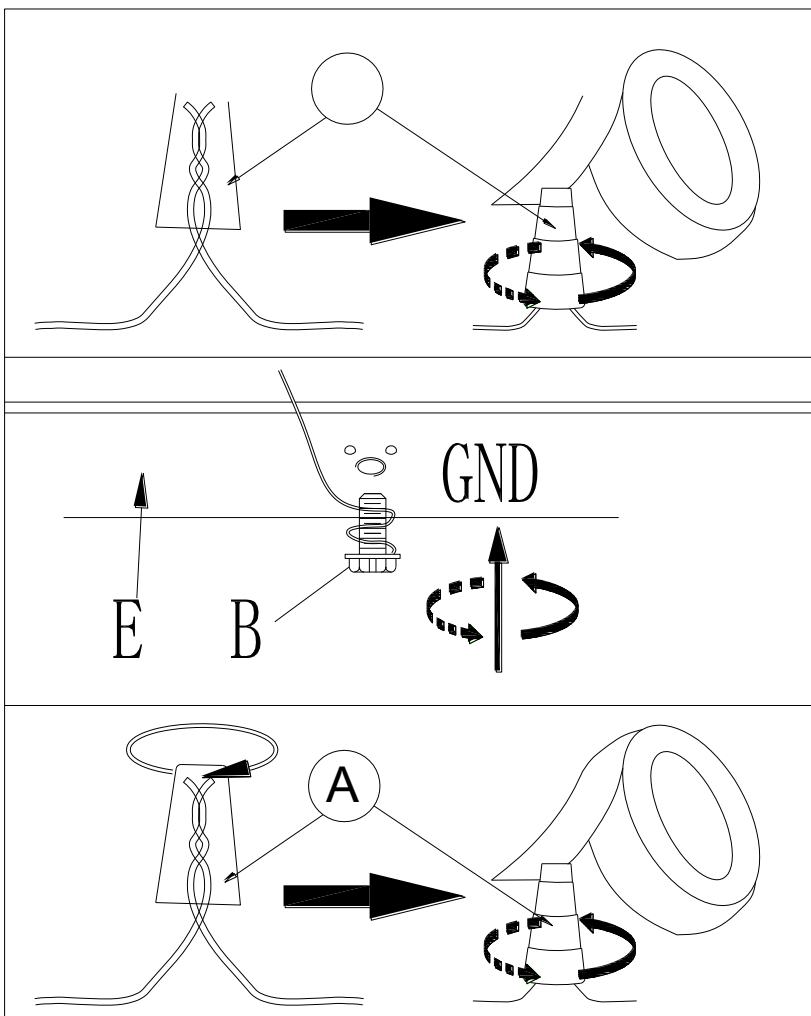
3. Please read the section "To Make the Wire Connections" Below.



4. With the help of another person to hold the weight of the light fixture, position the Canopy (F) over the Mounting Plate (E), aligning the 2 holes on the Canopy (F) with the 2 holes from the Mounting Plate (E). Insert the 2 Canopy Screws (D) and tighten to secure the Canopy (F) in place.

## To Make the Wire Connections:

1. Gently pull existing wire down from the ceiling junction box and allow wires to hang. The HOT or LIVE wire is usually black. The NEUTRAL wire is usually white. Check to see if there is a ground wire that is usually green or green with a yellow stripe or exposed copper metal wire. If needed, use a pair of wire strippers to remove about 1/2 inch of insulation from each wire.
2. Carefully inspect the fixture wires. The NEUTRAL FIXTURE WIRE is White. The HOT FIXTURE WIRE is Black. And the GROUND WIRE is bare copper. If you have any doubt and cannot identify the power-supply wires with confidence, then we recommend that you ask an electrician and that you not continue with the installation.
3. With the help of another person to hold the weight of the fixture, attach the fixture wires to the junction box wires as shown in the illustrations.



Connect the GROUND FIXTURE WIRE to the GROUND J-BOX WIRE using the Plastic Wire Nut Connector (A) and wrap the connection with electrical tape. Be sure that no wire strands are exposed.

If the junction box DOES NOT have a GROUND WIRE, wrap the fixture's bare ground wire around the Green Ground Screw (B) and tighten the screw into the Mounting Plate (E), marked as "GND", and tighten screw to secure the wire.

Connect the NEUTRAL FIXTURE WIRE to the NEUTRAL J-BOX WIRE first and then connect the HOT FIXTURE WIRE to the HOT J-BOX WIRE using the Plastic Wire Nut Connectors (A). Wrap these connections with electrical tape. Be sure that no wire strands are exposed.

### NOTE:

**IT IS IMPERATIVE THAT THE JUNCTION BOX IN YOUR HOME BE PROPERLY GROUNDED!**

**DO NOT REVERSE THE HOT AND NEUTRAL CONNECTIONS OR SAFETY WILL BE COMPROMISED.**

4. Check the wiring connections and if all looks good, gently tuck the wire connections neatly into the ceiling junction box.

**FCC COMPLIANCE:**

NOTE: This equipment has been tested and found to comply with the limits for a Class B digital device, pursuant to Part 15 of the FCC Rules. These limits are designed to provide reasonable protection against harmful interference in a residential installation. This equipment generates uses and can radiate radio frequency energy and, if not installed and used in accordance with the instructions, may cause harmful interference to radio communications. However, there is no guarantee that interference will not occur in a particular installation. If this equipment does cause harmful interference to radio or television reception, which can be determined by turning the equipment off and on, the user is encouraged to try to correct the interference by one or more of the following measures:

- Reorient or relocate the receiving antenna.
- Increase the separation between the equipment and receiver.
- Connect the equipment into an outlet on a circuit different from that to which the receiver is connected.
- Consult the dealer or an experienced radio/TV technician for help.

This device complies with Part 15 of the FCC Rules. Operation is subject to the following two conditions: (1) This device may not cause harmful interference, and (2) This device must accept any interference received, including interference that may cause undesired operation. Caution: changes or modifications not expressly approved by the party responsible for compliance could void the user's authority to operate the equipment.

**IC COMPLIANCE:**

This Class B digital apparatus complies with Canadian ICES-005.

**The Light Modulator We Recommend:**

LUTRON: PD-6WCL; MACL-153M; DVELV-300P-WH; SELV-300P TG-600PR; S-600P

LEVITON: 6672; 6602; 6631

**Care instructions:**

- Wipe clean with a soft, dry cloth or static duster.
- Always avoid the use of harsh chemicals or abrasive cleaners as they may cause damage to the fixture's finish.

Thank you for your purchase

Stores | catalog | [www.westelm.com](http://www.westelm.com)

USA 888-922-4119