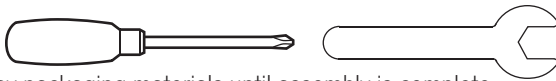


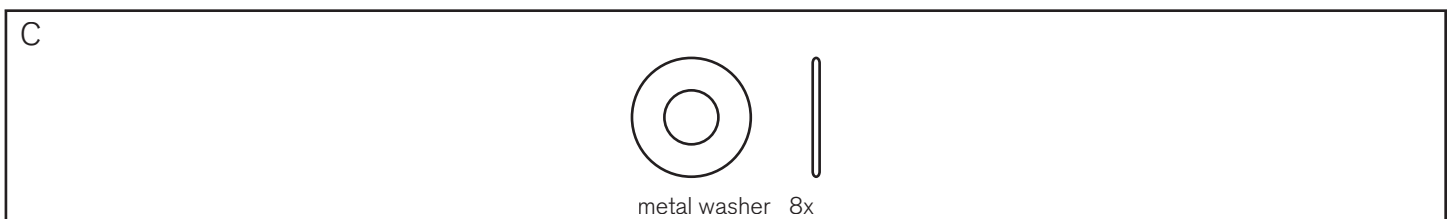
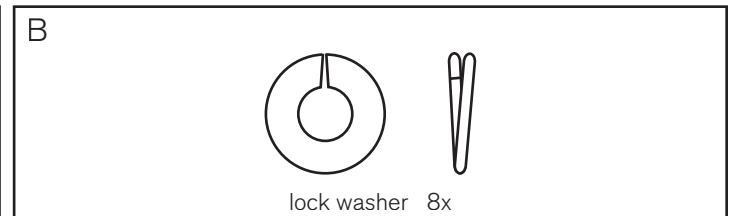
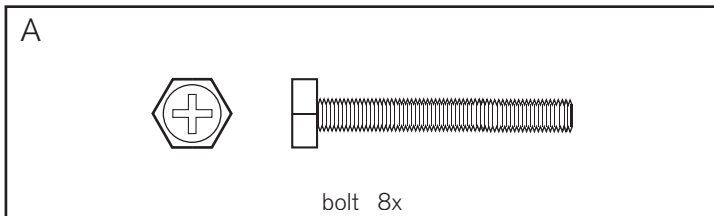
! Tools required:



! Do not throw away packaging materials until assembly is complete.

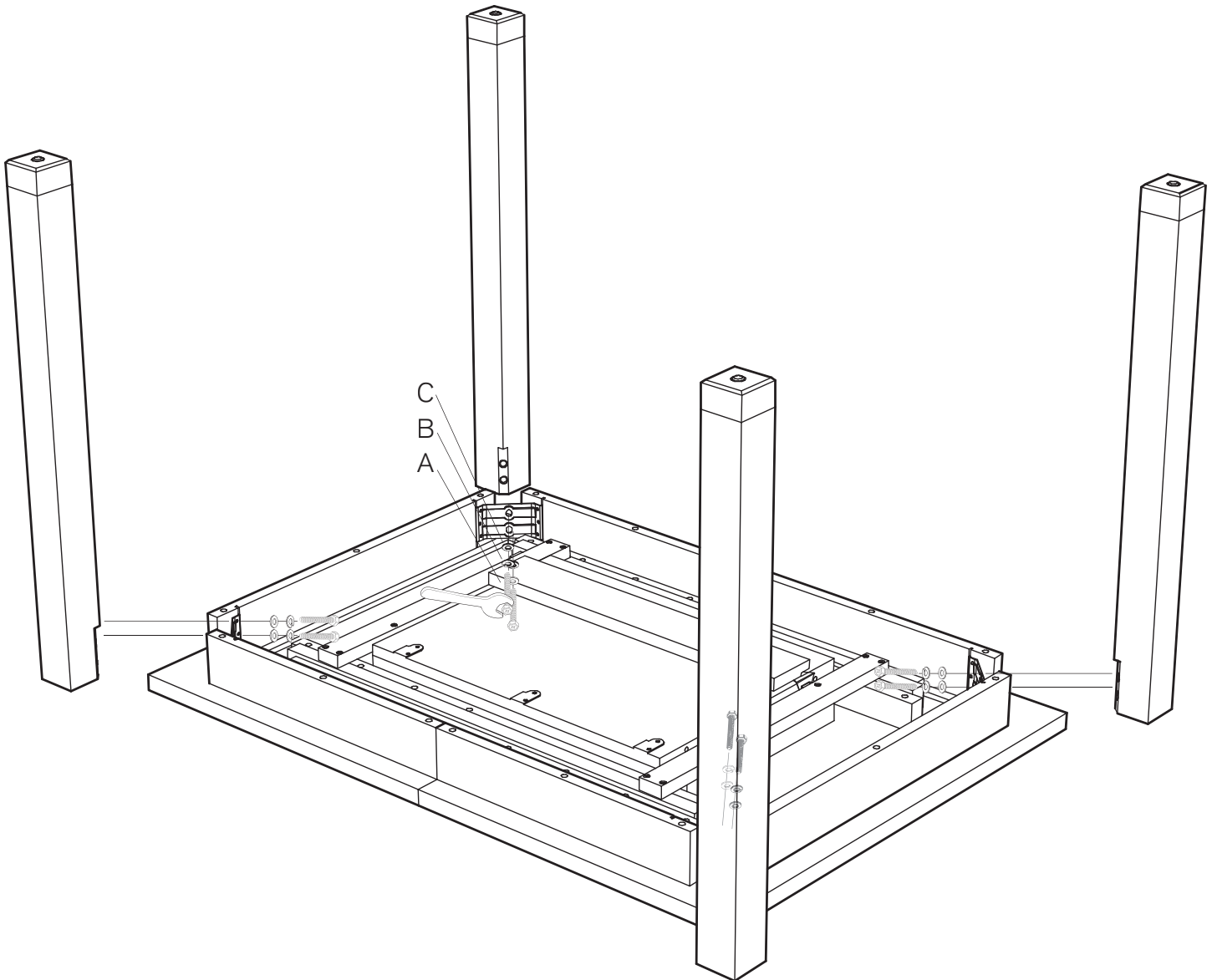
! Assemble this item on a soft surface, such as cardboard or carpet, to protect finish.

! Proper assembly of this item requires 2 people.

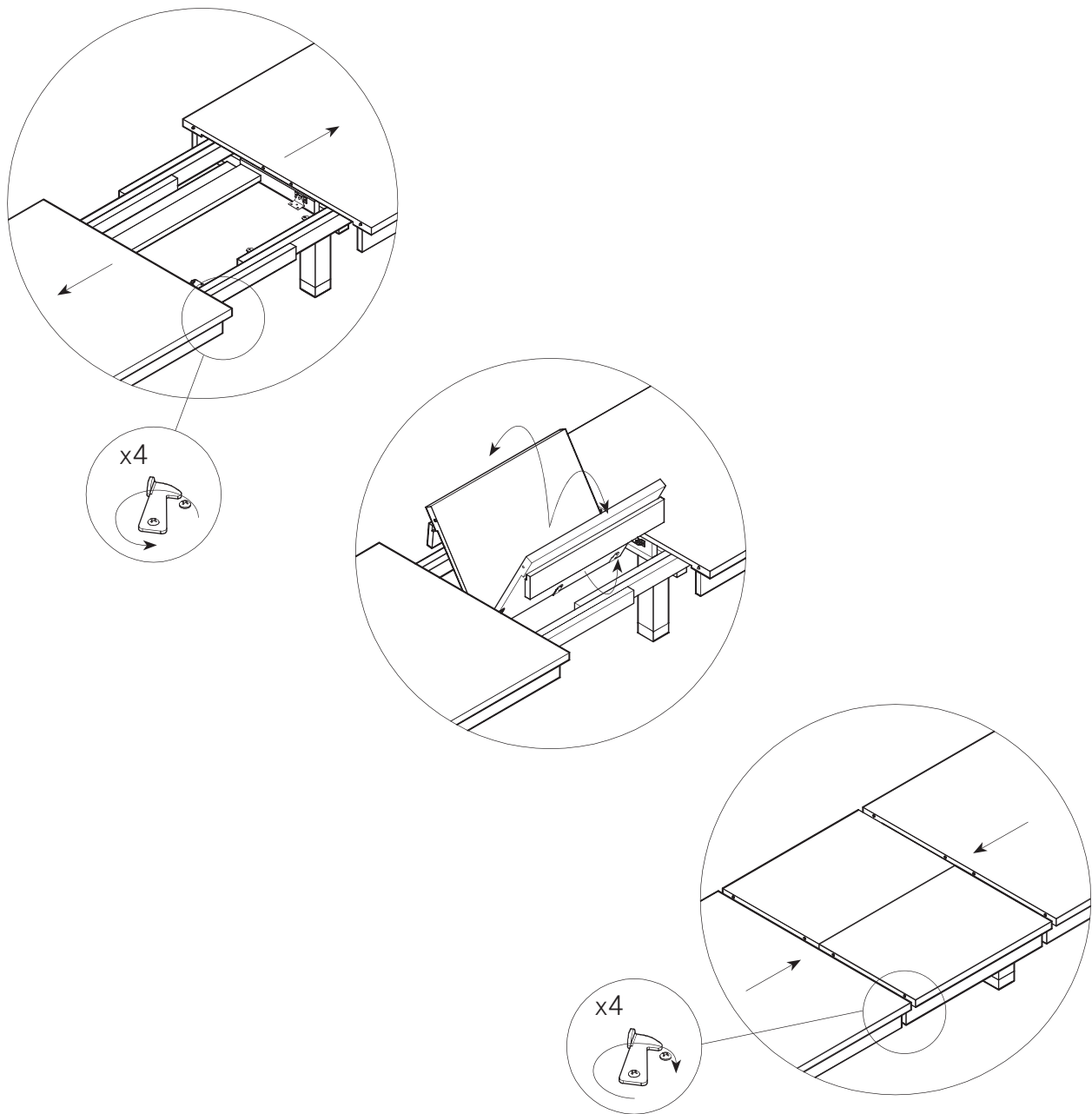


1. Position legs at table top corners as shown.

2. Insert bolt (A) with lock washer (B) and metal washer (C) through predrilled hole in corner brackets of table top and into predrilled hole in leg as shown. Tighten with wrench.



3. [OPTIONAL] To use table leaf, release locking mechanisms on underside of table top as shown. Pull table top apart. Fold sides of leaf out and down as shown. Push table top back together. Secure locking mechanisms on underside of table top as shown.



CARE INSTRUCTION

Hardware may loosen over time. Periodically check that all connections are tight.

Wipe with a soft, dry cloth. To protect finish, avoid the use of chemicals and household cleaners.