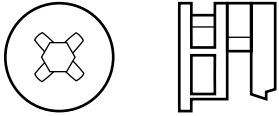
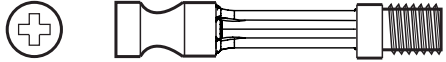



! Tools required: 

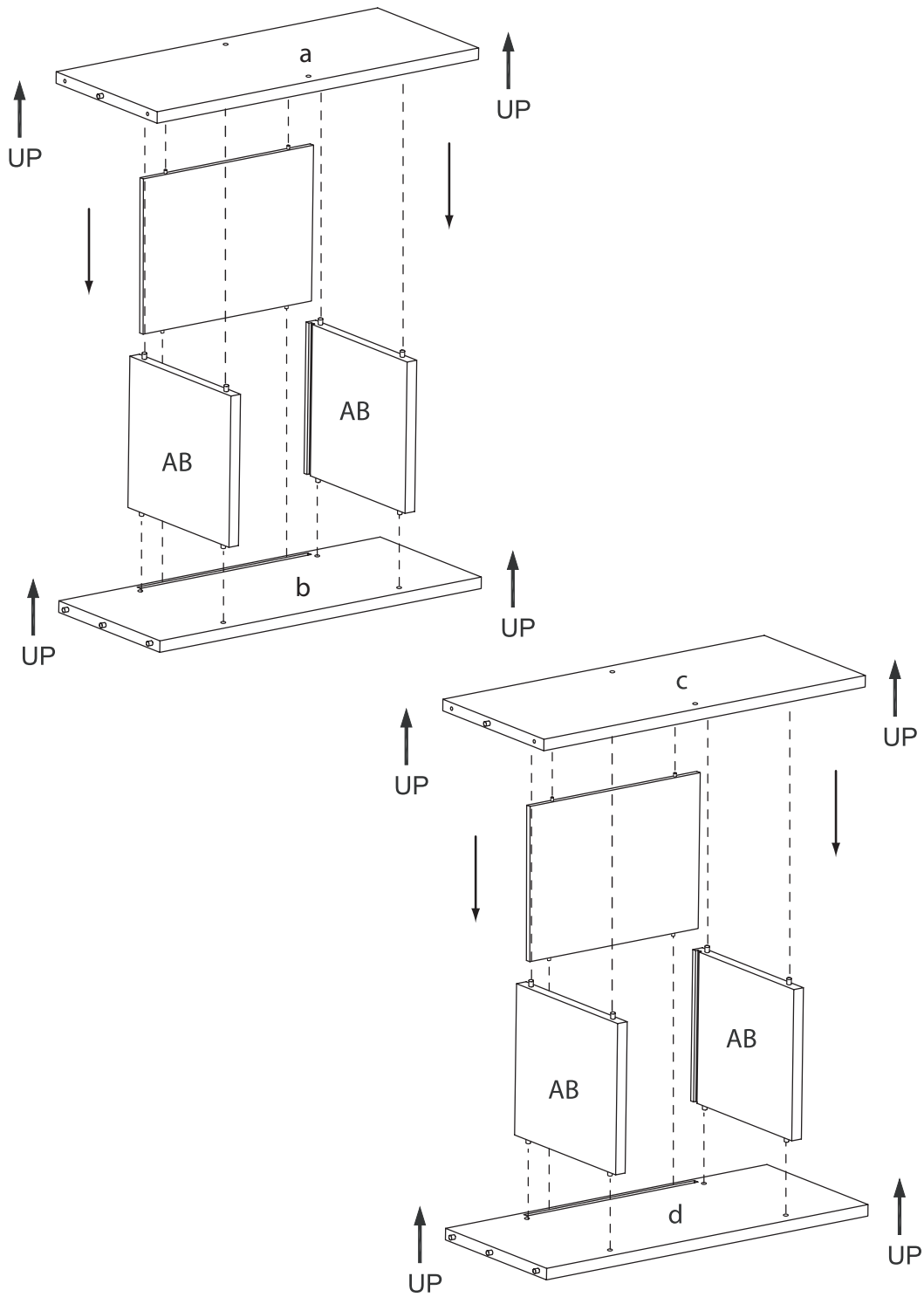
! Do not throw away packaging materials until assembly is complete.

! Assemble this item on a soft surface, such as cardboard or carpet, to protect finish.

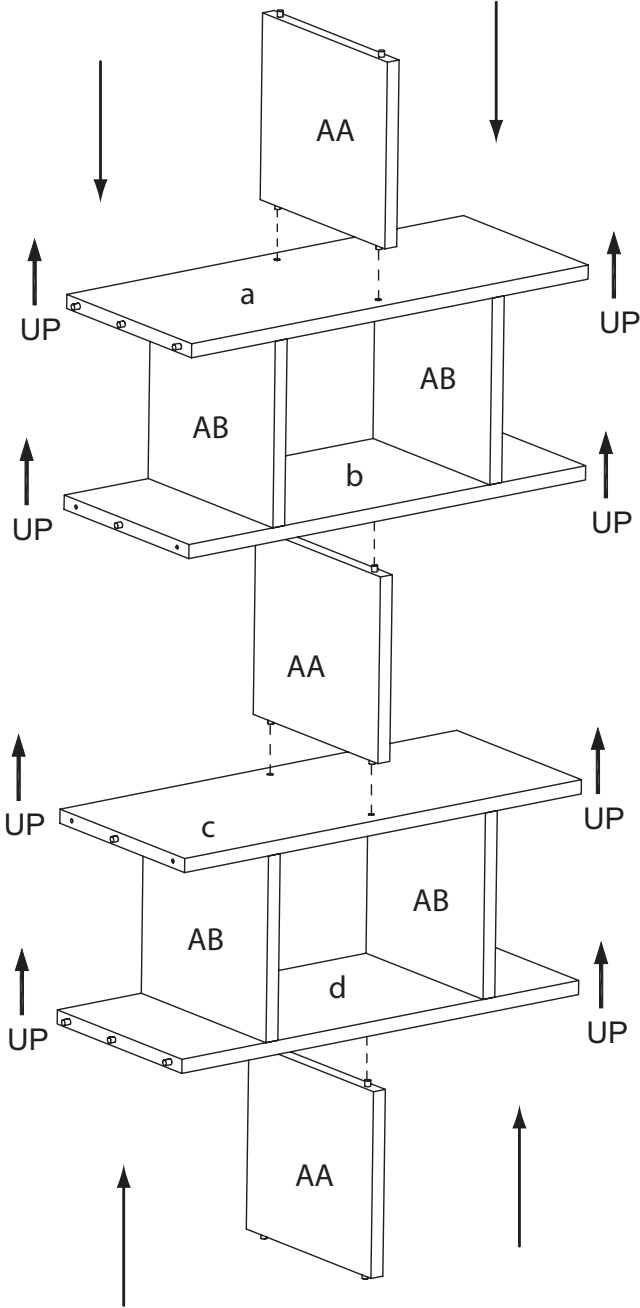
! Proper assembly of this item requires 2 people.

<p><b>A</b></p>  <p>cam lock 16x + 1 extra</p>	<p><b>B</b></p>  <p>cam 16x + 1 extra</p>
<p><b>C</b></p>  <p>allen key 1x</p>	

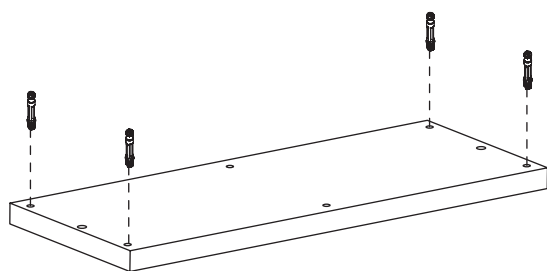
1. Insert shelf panels together as shown.



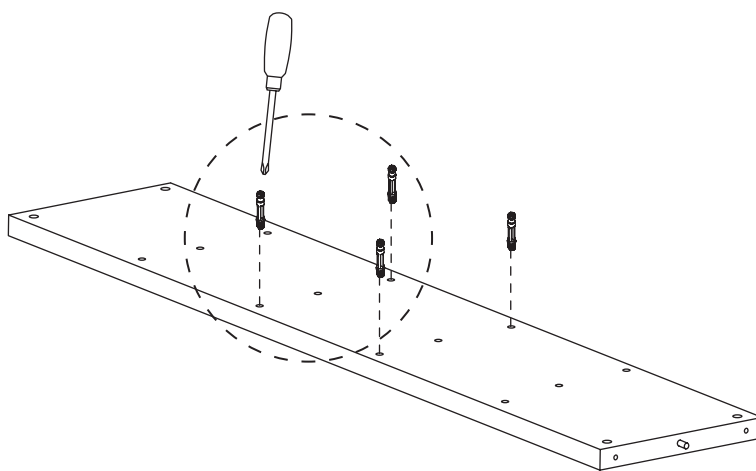
2. Insert dividers into shelf panels as shown.



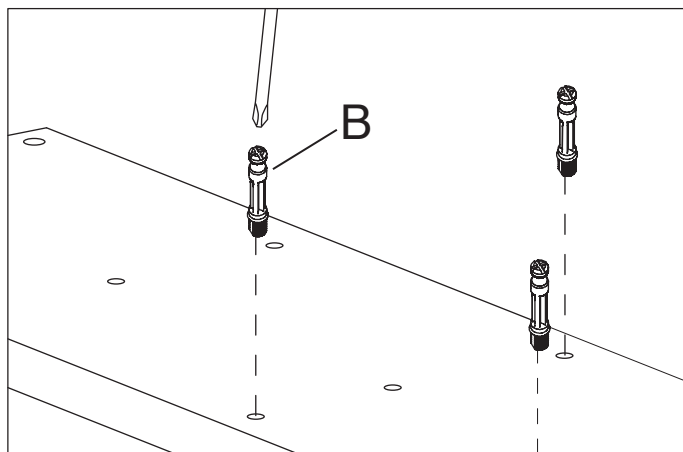
3. Fasten cams (B) into threaded holes of top and side panels. Tighten using phillips screwdriver.



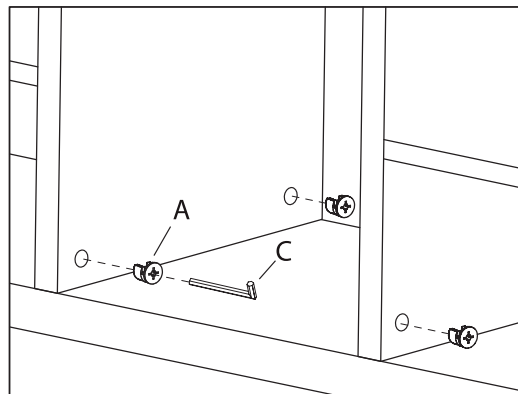
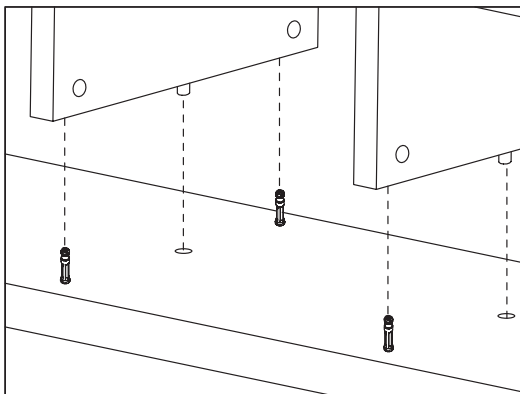
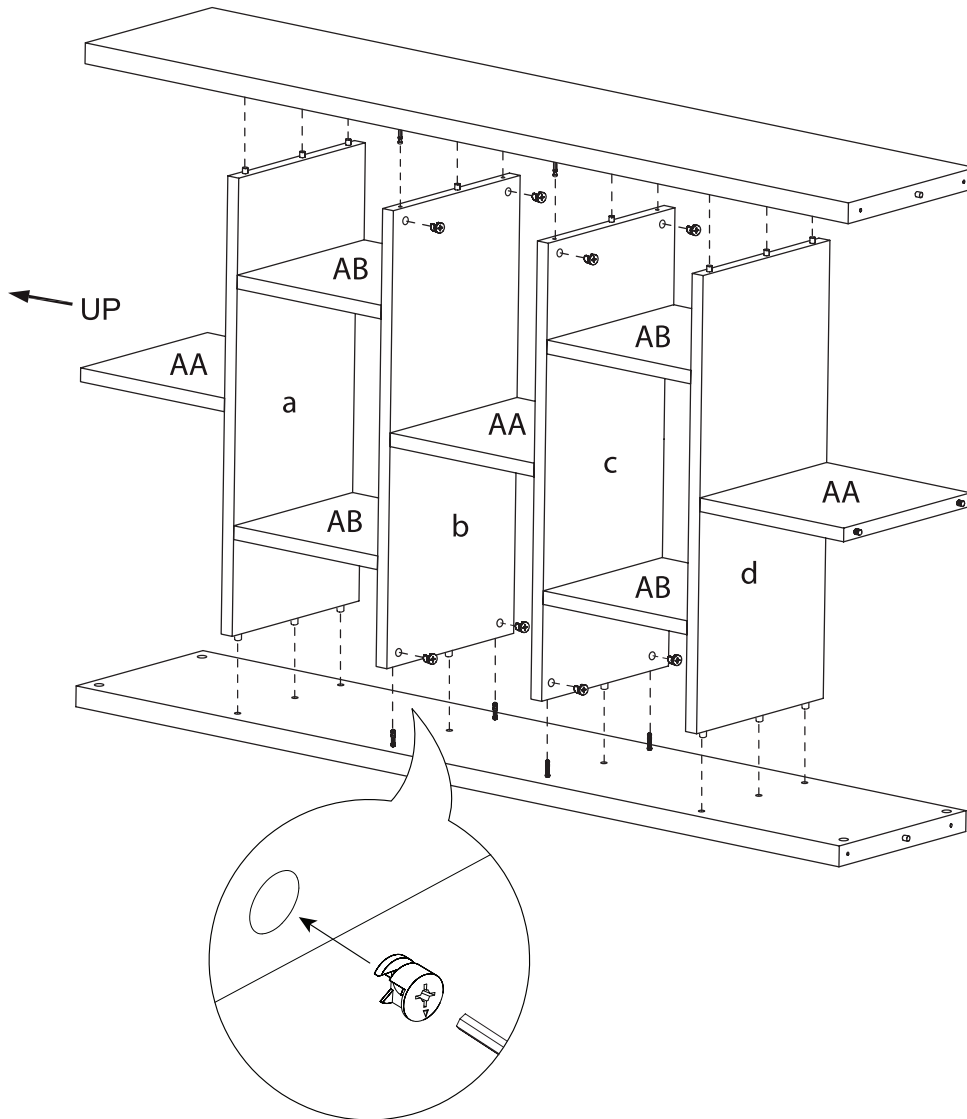
TOP PANELS



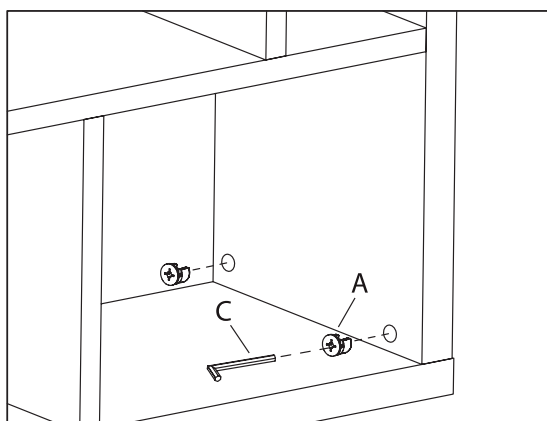
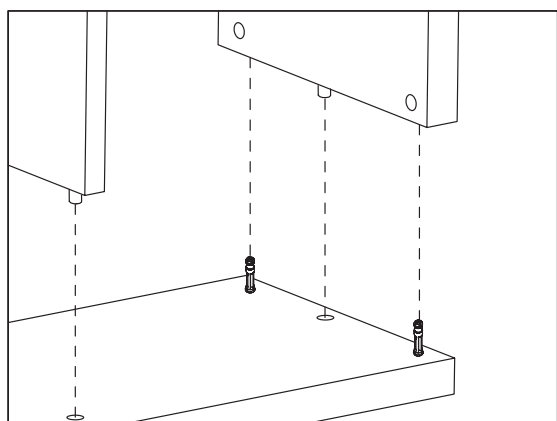
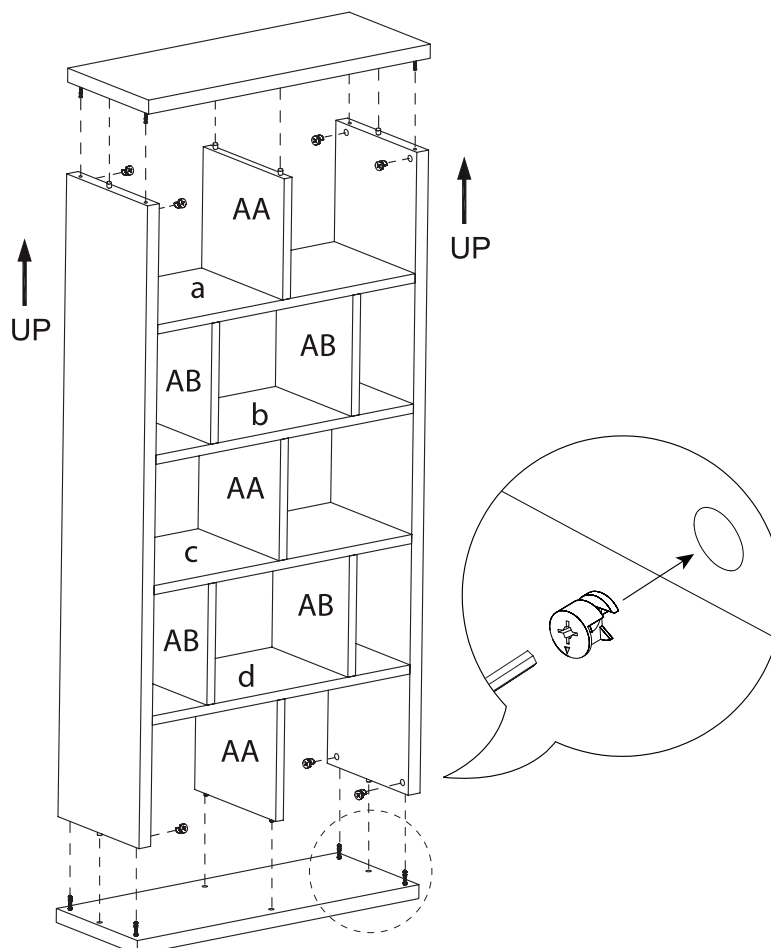
SIDE PANELS



4. Fasten side panels to shelves using cam locks (A) as shown. Turn cam locks so the arrow on top is facing outward as shown. Tighten cam locks with allen key (C).



5. Fasten side panels to shelves using cam locks (A) as shown. Turn cam locks so the arrow on top is facing outward as shown. Tighten cam locks with allen key (C).



#### CARE INSTRUCTIONS

Hardware may loosen over time. Periodically check that all connections are tight.

Wipe with a soft, dry cloth. To protect finish, avoid the use of chemicals and household cleaners.