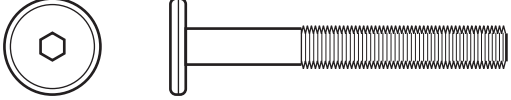
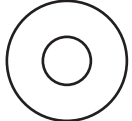

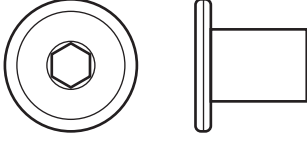
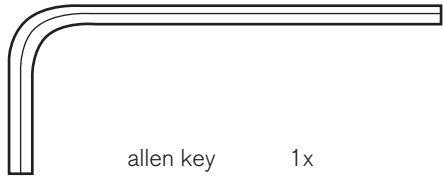
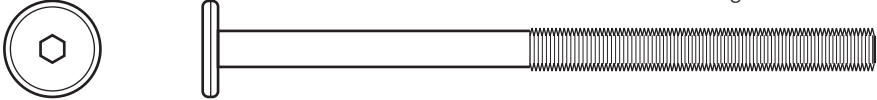
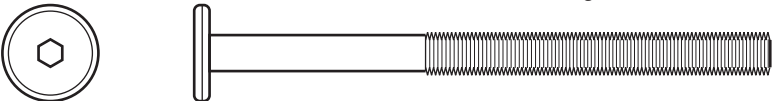
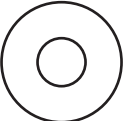


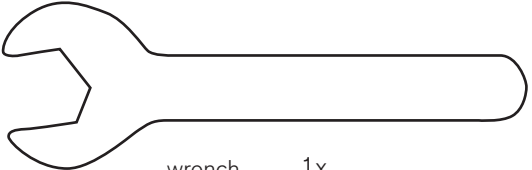
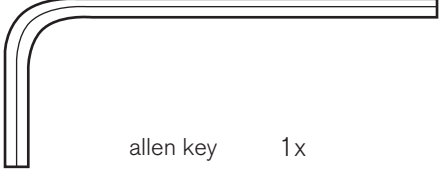


- ! Do not throw away packaging materials until assembly is complete.
- ! Assemble this item on a soft surface, such as cardboard or carpet, to protect the finish.

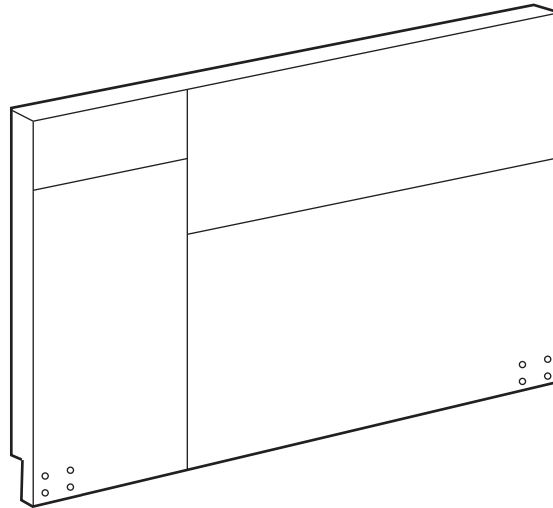
For assembly of headboard:

<p>A</p>  <p>bolt: 1/4" DIA x 1-3/4" 8x</p>	<p>B</p>  <p>metal washer 8x</p>	<p>G</p>  <p>lock washer 8x</p>
<p>C</p>  <p>cap nut 8x</p>	<p>D</p>  <p>allen key 1x</p>	

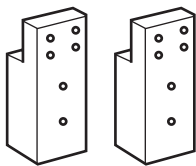
For attaching headboard to bedframe:

<p>E</p>  <p>For use when attaching to bedframe for mattress only.</p> <p>bolt: 1/4" DIA x 3-1/2" 4x</p>		
<p>F</p>  <p>For use when attaching to bedframe for boxspring and mattress.</p> <p>bolt: 1/4" DIA x 3" 4x</p>		
<p>B</p>  <p>metal washer 8x</p>	<p>G</p>  <p>lock washer 8x</p>	<p>H</p>  <p>nut 4x</p>
<p>I</p>  <p>wrench 1x</p>		<p>J</p>  <p>allen key 1x</p>

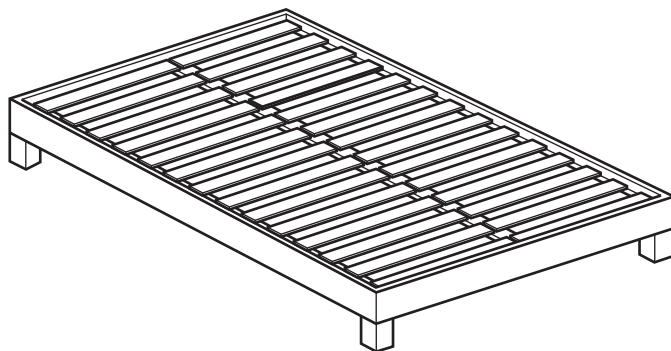
Choose the legs to match
your bedframe:



For bedframe with mattress only:

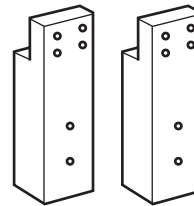


use short legs with
the bedframe below.

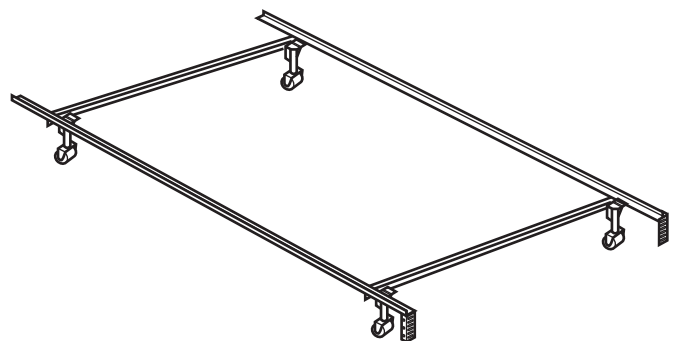


(bedframes sold separately)

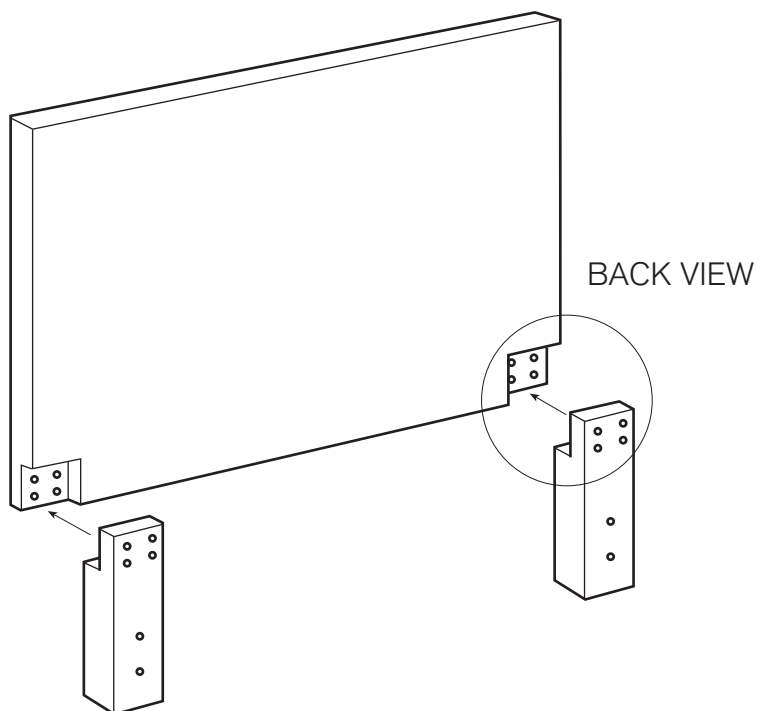
For bedframe with boxspring and mattress:



use long legs with
the bedframe below.



1. Align legs with the headboard. Match the leg labeled 'R' with the 'R' on the headboard.
Match the leg labeled 'L' with the 'L' on the headboard.
2. Attach the hardware as shown and tighten.

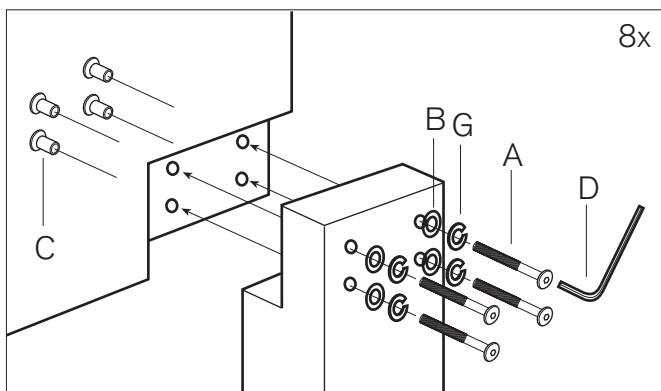


CARE INSTRUCTIONS.

Hardware may loosen over time. Periodically check that all connections are tight.

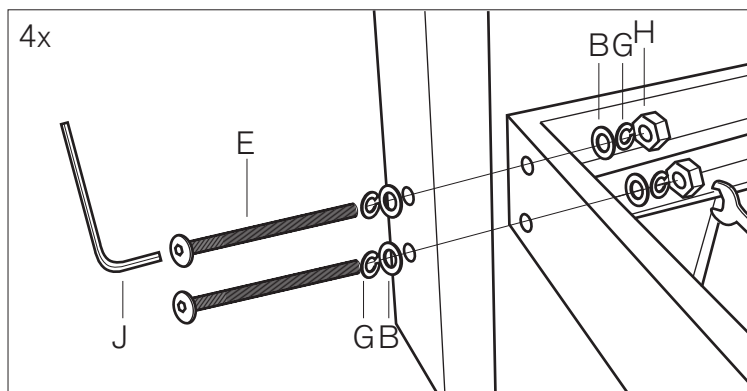
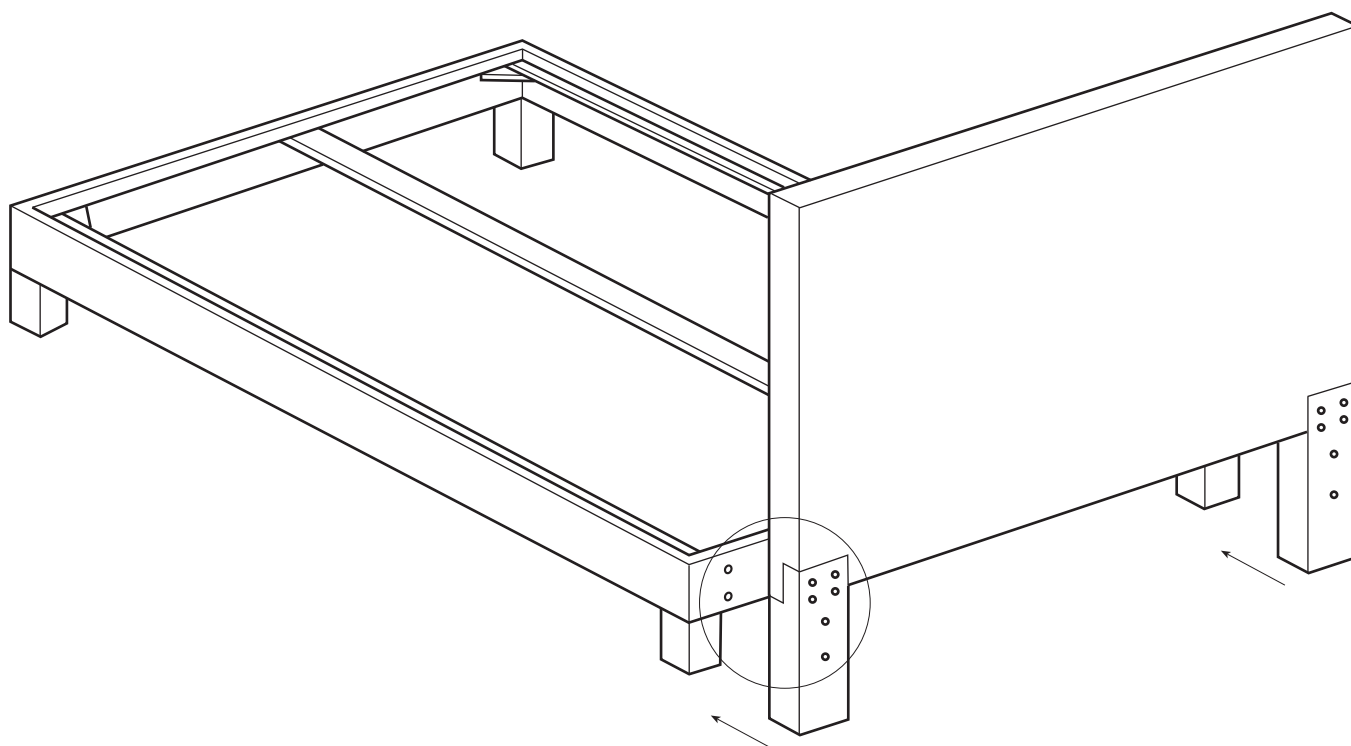
Headboards are designed for placement against a wall.

Wipe with a soft, dry cloth. To protect the finish, avoid the use of all chemicals and household cleaners.



Attaching the headboard to beframe for mattress only:

Align hardware as shown and tighten.



Attaching the headboard to bedframe for boxspring and mattress:

Align hardware as shown and tighten.

