

### CAUTION:

- **BEFORE INSTALLING FIXTURE, MAKE SURE THE POWER TO THE CIRCUIT IS TURNED OFF AT THE MAIN FUSE BOX / CIRCUIT BREAKER UTILITY BOX.**
- **Do not install into a ceiling that contains radiant heating.**

### Important Safety Instructions:

- These instructions are provided for your safety. It is very important that they are read carefully and completely before beginning the assembly and installation of this lighting fixture.
- The installation is not to be made on a radiant-heating ceiling.
- We strongly recommend that a professional electrician install all direct wire fixtures.
- **THIS PRODUCT MUST BE INSTALLED IN ACCORDANCE WITH THE APPLICABLE INSTALLATION CODES BY A PERSON FAMILIAR WITH THE CONSTRUCTION AND OPERATION OF THE PRODUCT AND THE HAZARDS INVOLVED.**
- The lighting fixture is meant for indoor use. It must be connected only to 3-wire, single-phase electrical supply systems (provided with Ground wire or equivalent protection system).
- For your safety, it is strongly recommended that two people install the lighting fixture.
- This fixture has been rated for up to one (1) **60-watt maximum TYPE A standard incandescent light bulb** (not included) or one (1) **13-watt compact fluorescent light bulb** (not included). To avoid the risk of fire, do not exceed the recommended lamp wattage.
- The lighting fixture is meant for indoor use, **DRY LOCATIONS ONLY.**
- **Save these instructions.**

### WARNING:

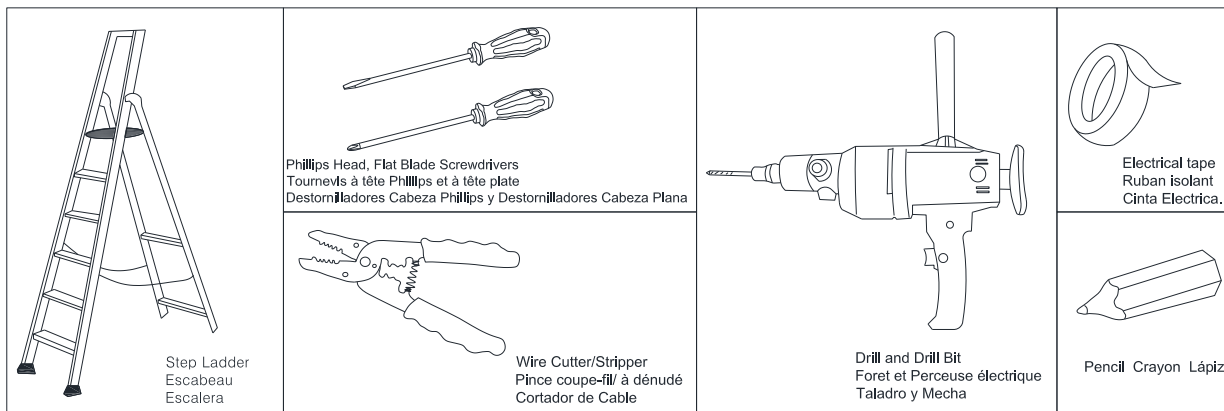
- **To reduce the risk of fire, electrical shock or personal injury, always turn off light fixture and allow it to cool prior to replacing light bulb.**
- **Do not touch bulb when fixture is turned on. Do not look directly at lit bulb.**
- **Keep flammable materials away from lit bulb.**
- **This lighting fixture contains lead, a chemical known to the State of California to cause cancer, birth defects and other reproductive harm. Wash hands after installing, handling, cleaning or otherwise touching this light fixture.**

### Pre-assembly:

- Remove all parts and hardware from box along with any plastic protective packaging.
- Do not discard any contents until after assembly is complete to avoid accidentally discarding small parts or hardware.
- For your safety and convenience, assembly by two people is recommended.

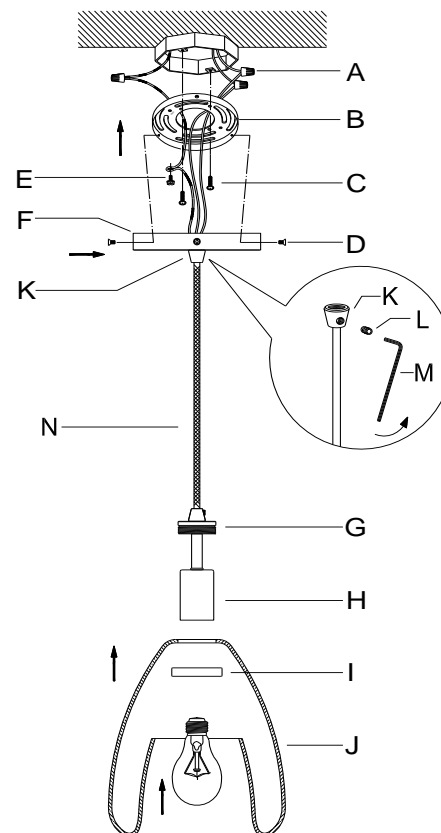
# Duo Walled Pendant - Single Light Assembly Instructions

## TOOLS REQUIRED (not included):









## Parts Included:

- (B) Mounting Plate (1)
- (D) Canopy Screws (3)
- (E) Green Ground Screw (1)
- (F) Canopy (1)
- (G) Socket Assembly (1)
- (H) Socket (1)
- (I) Socket Ring (1)
- (J) Glass Shade (1)
- (K) Collar (1)
- (L) Allen Screw (1)
- (N) Power Cord (1)



## Hardware Enclosed:

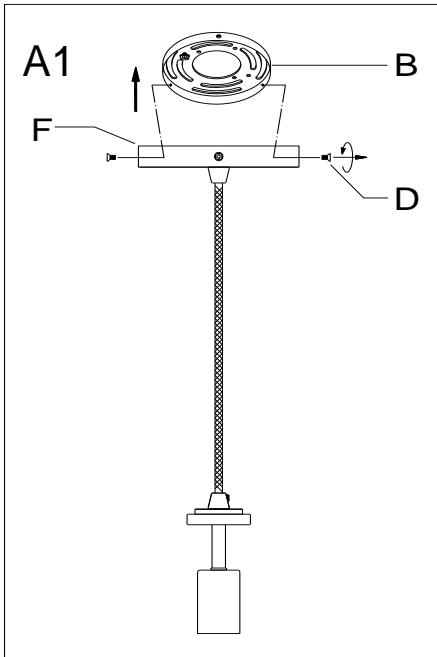
- (A) Plastic Wire Nut Connectors (3)
- (C) Mounting Screws (2) (includes (1) extra)
- (M) Allen Wrench (1)

A		C		D	
	3X		3X		3X
E		L		M	
	1X		1X		1X

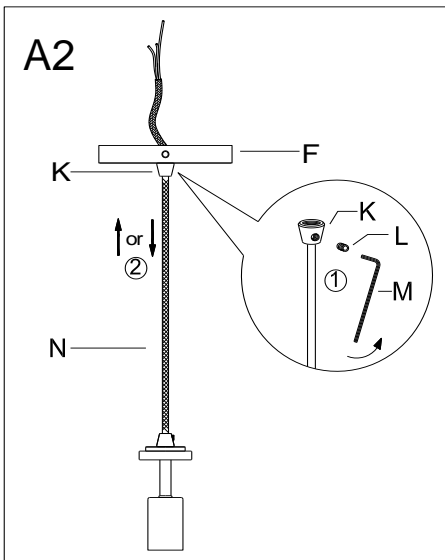
## To Adjust the Suspension Length of the Fixture:

Note: The adjustment or shortening of the lighting fixture's suspension length is only needed if the factory set length is not appropriate for your installation. We recommend that you adjust the lighting fixture to proper desired length before cutting the electrical cord. Determine the lighting fixture suspension length from the ceiling for the product installation, allowing the extra cord length for the outlet junction box wire connections as noted below.

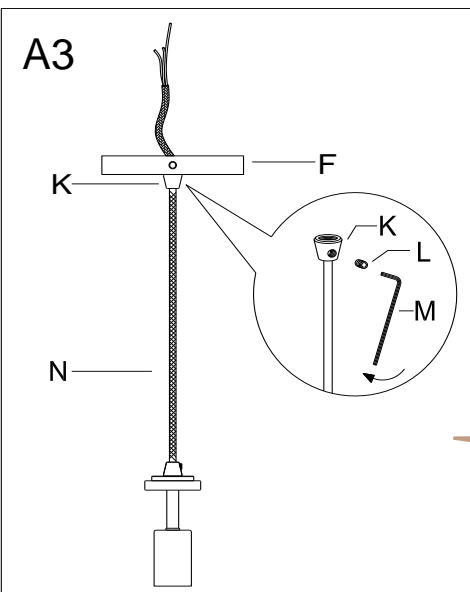
## Duo Walled Pendant - Single Light Assembly Instructions



1. Separate the Mounting Plate (B) from the Canopy (F) by removing the 3 Canopy Screws (D). Do not discard the Canopy Screws (D) as these will be used later.



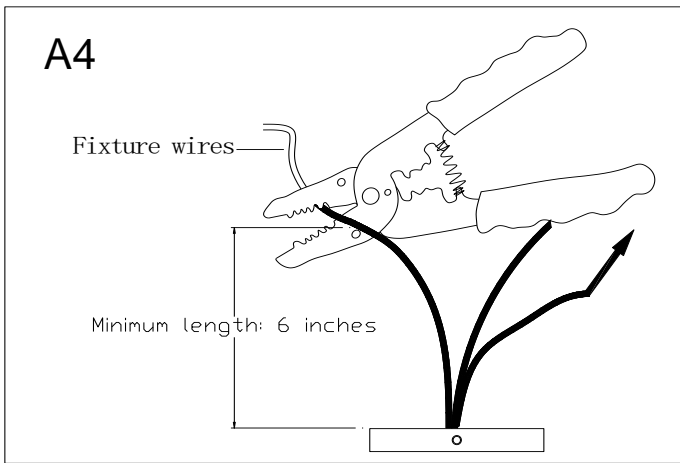
2. Loosen the Allen Screw (L) from the Collar (K) using the Allen Wrench (M) by turning the wrench counter-clockwise. Insert the Power Cord (N) upwards or downwards through the Canopy (F) until a new desired suspension length is determined.



3. Secure the Power Cord (N) in place by turning the Allen Screw (L) clockwise using the Allen Wrench (M) until tight. Do not over tighten the screw, making sure the Power Cord (N) cord will not slip downwards with the pendant body.

把侧面的线加上。

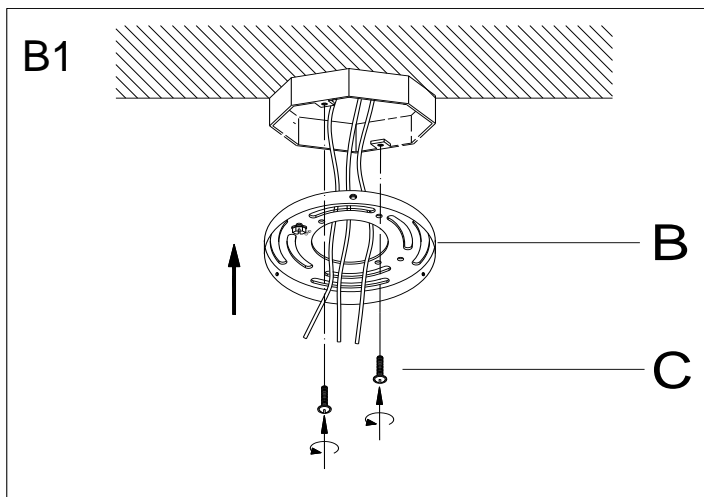
# Duo Walled Pendant - Single Light Assembly Instructions



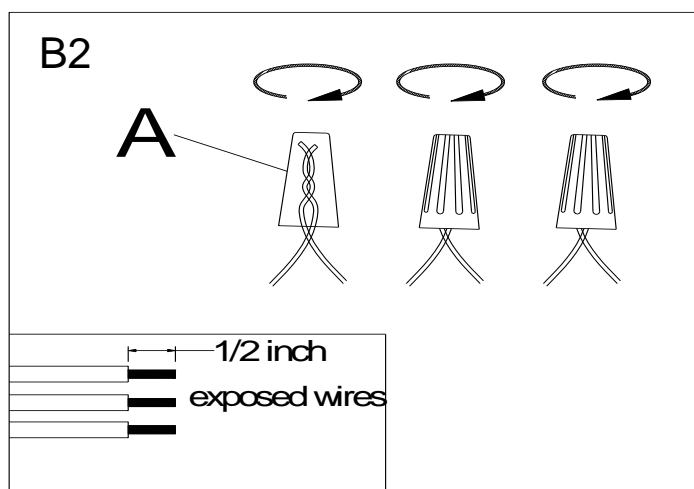
4. If needed, cut off the extra power cord length on the fixture 3 wire cord so that at least 6 inches (152.4 mm) long within the outlet junction box (J-box).

## Assembly & Installation Instructions:

- **SHUT OFF THE MAIN ELECTRICAL SUPPLY FROM THE MAIN FUSE BOX/CIRCUIT BREAKER!**
- Carefully unpack all fixture parts and hardware and lay them on a clear workspace.

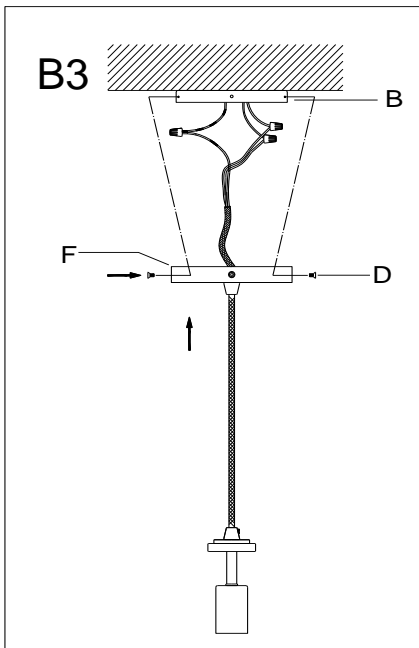


1. Insert the J-box wires through the center opening of Mounting Plate (B). Attach the Mounting Plate (B) onto the J-box and secure in place by turning the 2 Mounting Screws (C) clockwise until tight using a screwdriver.

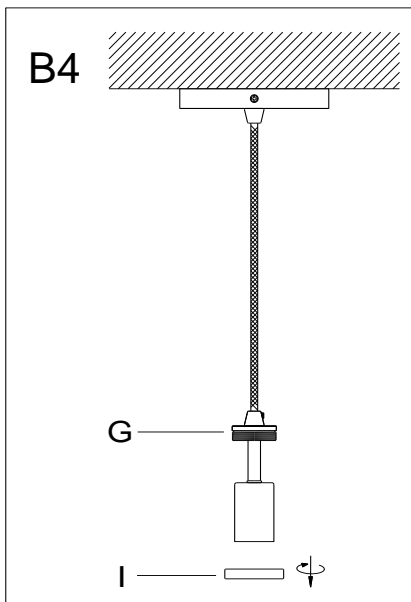


2. Please read the section "To Make the Wire Connections" Below.

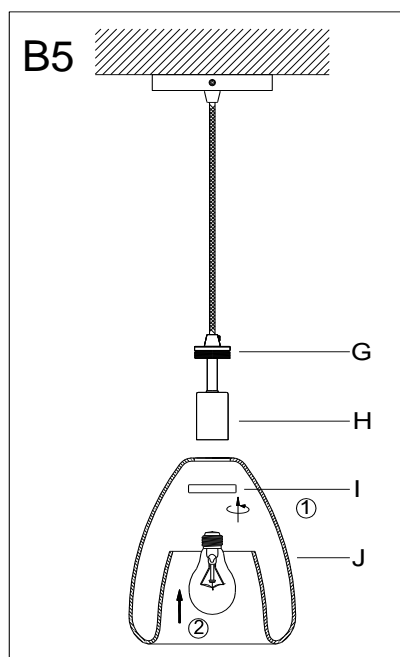
# Duo Walled Pendant - Single Light Assembly Instructions



3. Raise the Canopy (F) up over the Mounting Plate (B), aligning the 3 holes from the Mounting Plate (B) with the 3 holes on the side of the Canopy (F). Insert the 3 Canopy Screws (D) and tighten each using a screwdriver until tighten.



4. Unscrew the Socket Ring (I) from the Socket Assembly (G) by turning Socket Ring (I) in a counter-clockwise.

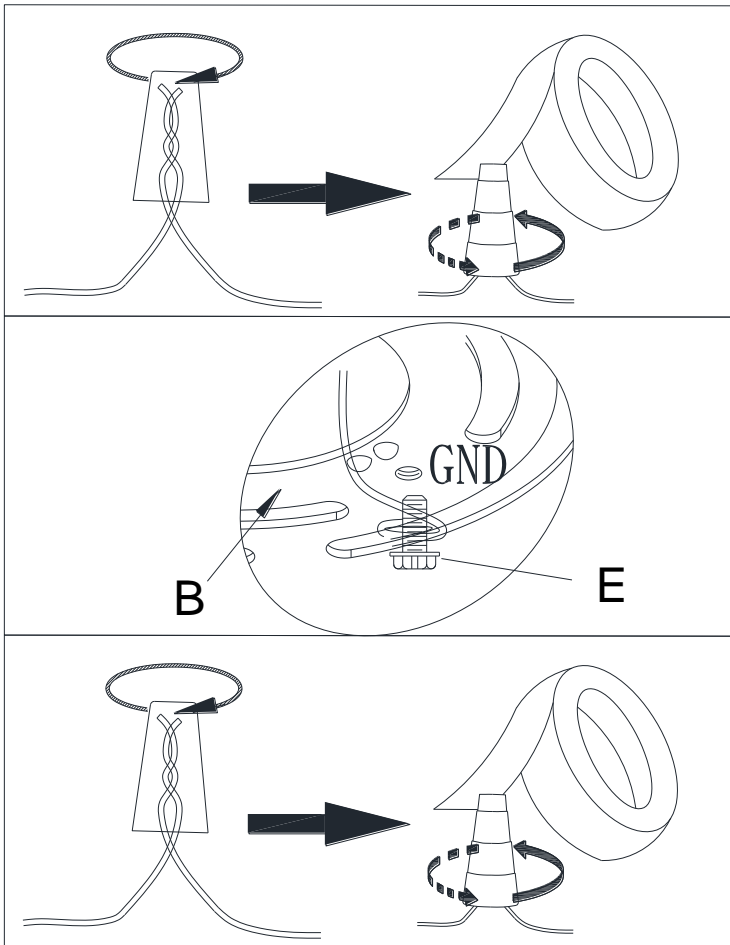


5. Place the Glass Shade (J) over the Socket (H) and secure the shade in place by gently turning the Socket Ring (I) onto the Socket Assembly (G) in a clockwise direction until tight. Do not over tighten. Insert the specified light bulb into the Socket (H). DO NOT EXCEED THE SPECIFIED WATTAGE.

# Duo Walled Pendant - Single Light Assembly Instructions

## To Make the Wire Connections:

1. Gently pull the wiring down from the ceiling junction box and allow wires to hang. The HOT or LIVE wire is usually black. The NEUTRAL wire is usually white. Check to see if there is a ground wire that is usually green or green with a yellow stripe or exposed copper metal wire. If needed, use a pair of wire strippers to remove about 1/2 inch of insulation from each wire.
2. Carefully inspect the pendant's fixture wires. The NEUTRAL FIXTURE WIRE is White. The HOT FIXTURE WIRE is Black. And the GROUND WIRE is Green. If you have any doubt and cannot identify the power-supply wires with confidence, then we recommend that you ask an electrician and that you not continue with the installation.
3. With the help of another person to hold the weight of the fixture, attach the fixture wires to the junction box wires as shown in the illustrations.



Connect the GROUND FIXTURE WIRE to the GROUND J-BOX WIRE using the Plastic Wire Nut Connector (A) and wrap the connection with electrical tape. Be sure that no wire strands are exposed.

If the junction box DOES NOT have a GROUND WIRE, wrap the fixture's bare ground wire around the Green Ground Screw (E) and insert the screw into the Mounting Plate (B), marked as "GND", and tighten screw to secure the wire.

Connect the NEUTRAL FIXTURE WIRE to the NEUTRAL J-BOX WIRE first and then connect the HOT FIXTURE WIRE to the HOT J-BOX WIRE using the Plastic Wire Nut Connectors (A). Wrap these connections with electrical tape. Be sure that no wire strands are exposed.

### NOTE:

**IT IS IMPERATIVE THAT THE JUNCTION BOX IN YOUR HOME BE PROPERLY GROUNDED!  
DO NOT REVERSE THE HOT AND NEUTRAL CONNECTIONS OR SAFETY WILL BE COMPROMISED.**

### Care instructions:

- Wipe clean with a soft, dry cloth or static duster.
- Always avoid the use of harsh chemicals or abrasive cleaners as they may cause damage to the fixture's finish.

Thank you for your purchase

Stores | catalog | [www.westelm.com](http://www.westelm.com)

USA 888-922-4119

US/CN

Page 6 of 6