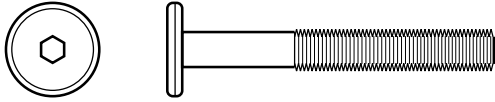
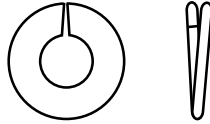
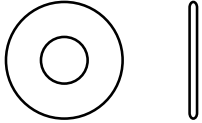
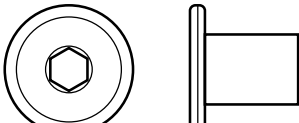

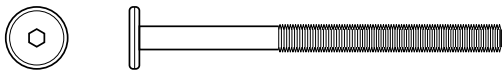
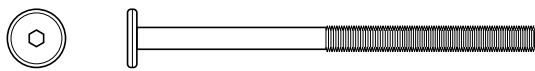
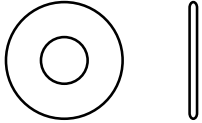

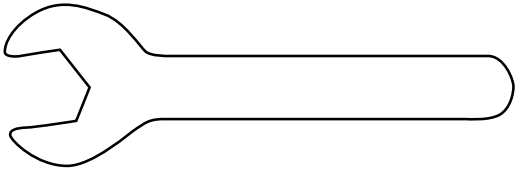

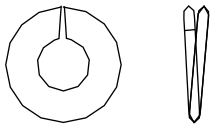


- ! Do not throw away packaging materials until assembly is complete.
- ! Assemble this item on a soft surface such as cardboard or carpet to protect finish.
- ! Depending on the size of your bed, headboard may appear different than shown above.

For assembly of headboard:

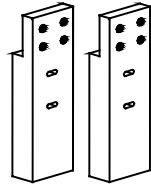
<p>A</p>  <p>bolt: 6mm dia x 40mm long 8x</p>	<p>B</p>  <p>lock washer 8x</p>
<p>C</p>  <p>metal washer 8x</p>	<p>D</p>  <p>cap nut 8x</p>
<p>E</p>  <p>allen key 1x</p>	

For attaching headboard to bedframe

<p>F</p> <p>For use attaching to standard metal bedframes</p>  <p>short bolt: 6mm dia x 70mm 4x</p>	<p>G</p> <p>For use attaching to wooden bedframes.</p>  <p>long bolt: 6mm dia x 90mm 4x</p>
<p>H</p>  <p>metal washer 8x</p>	<p>I</p>  <p>nut 4x</p>
<p>J</p>  <p>wrench 1x</p>	<p>K</p>  <p>allen key 1x</p>
<p>L</p>  <p>lock washer 4x</p>	

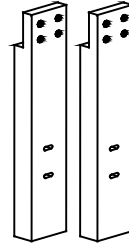
1. Choose the legs to match your bedframe.

For bedframe with mattress only :



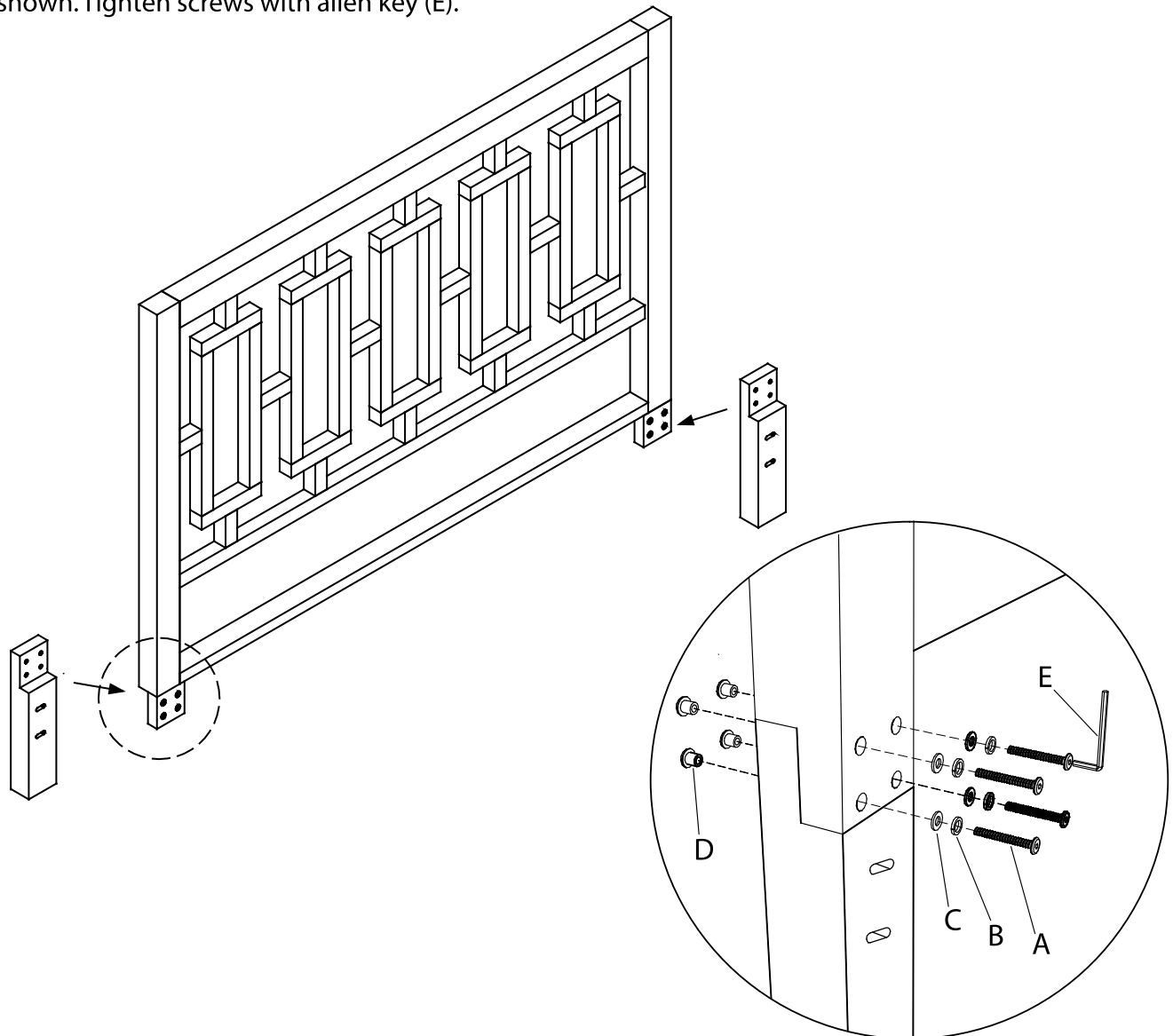
use short legs

For bedframe with boxspring and mattress:



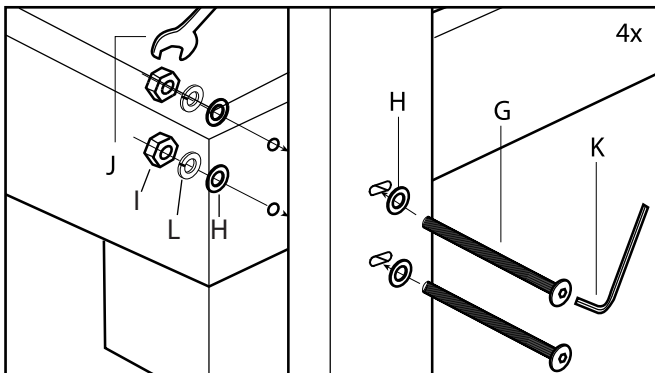
use tall legs

2. Fasten legs to headboard using screws (A), lock washers (B), flat washers (C), and nuts (D) in order as shown. Tighten screws with allen key (E).

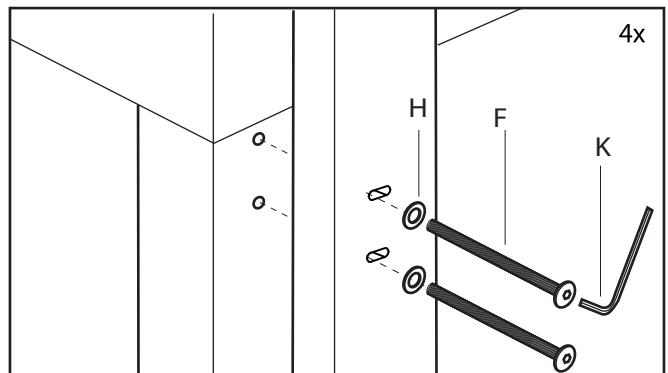


TO ASSEMBLE HEADBOARD TO BEDFRAME, ALIGN HARDWARE AS SHOWN BELOW AND TIGHTEN

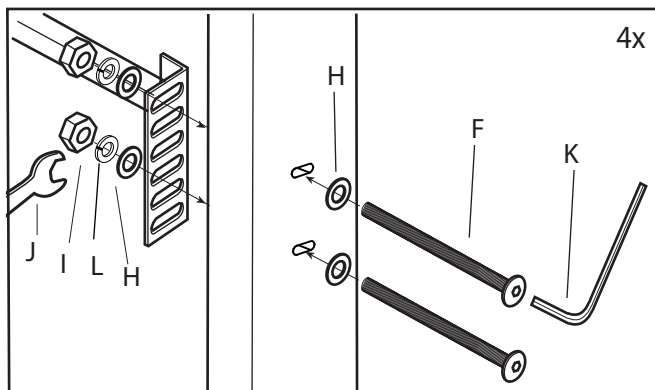
Wood Bedframe, Chunky Wood Bedframe,
Nailhed Upholstered Bedframe



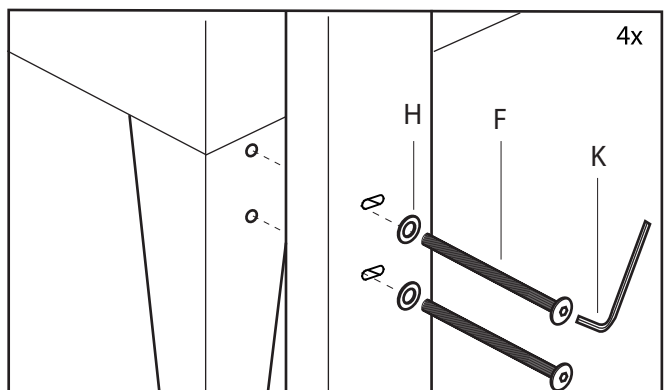
Tall Wood Bedframe



Metal Bedframe



Narrow Leg Bedframe



CARE INSTRUCTIONS

Hardware may loosen time. Periodically check that all connections are tight. Wipe with soft, dry cloth. To protect the finish, avoid the use of chemicals and household cleaners.