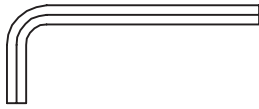


! Tools supplied:



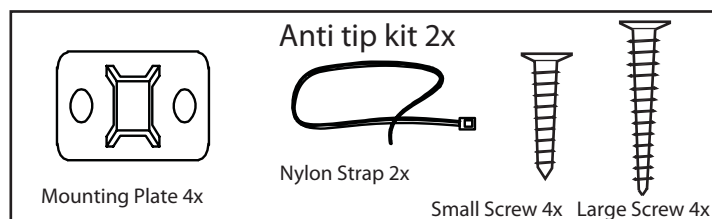
! Do not throw away packaging materials until assembly is complete.

! Assemble this item on a soft surface, such as cardboard or carpet, to protect finish.

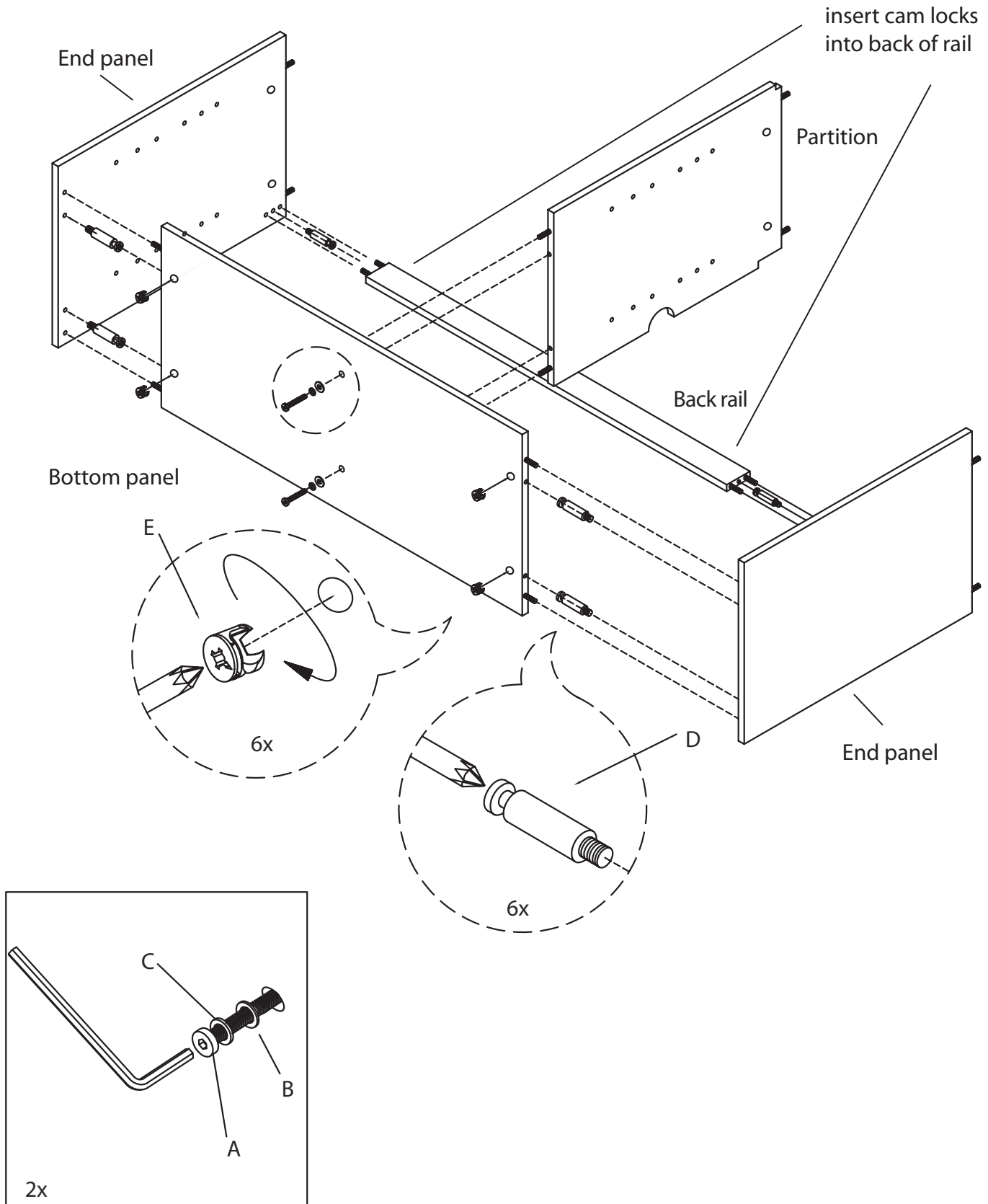
! Proper assembly of this item requires 2 people.

## Hardware

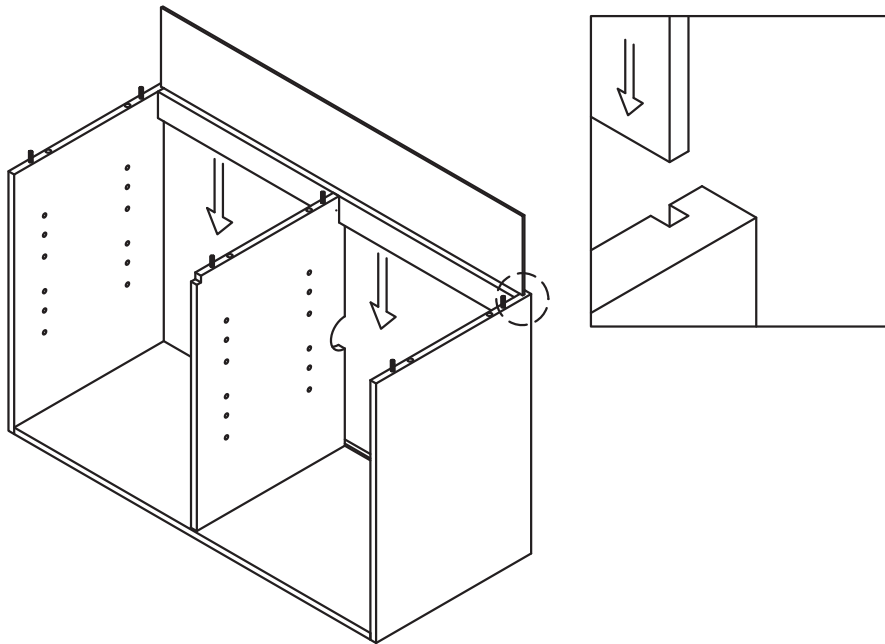
<p>A</p> <p>bolts 6mm x 30mm 6x</p>	<p>B</p> <p>flat washer 6x</p>
<p>C</p> <p>lock washer 6x</p>	<p>D</p> <p>cam bolt 12x</p>
<p>E</p> <p>com lock 12x</p>	<p>F</p> <p>shelf pin 16x</p>
<p>G</p> <p>screw(black nickel) 6x</p>	<p>H</p> <p>plastic clasp 6x</p>
<p>I</p> <p>handle 2x</p>	<p>J</p> <p>screw (white nickel) 8x</p>



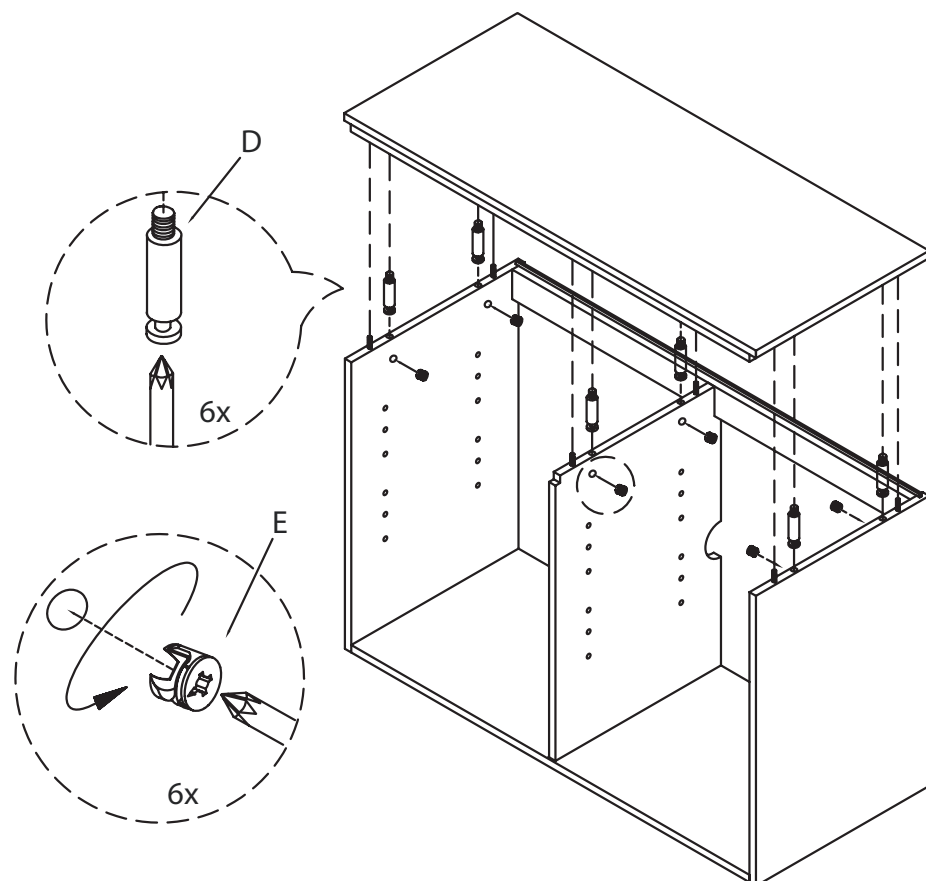
1. At the top and bottom of the end panel screw in cam bolts (D) as the drawing shows. Insert cam locks (E) into bottom panel and back rail. Align bottom panel and back rail with the cam bolts and press firmly into place. Turn cam lock clockwise to lock bottom panel and back rail in place. Next, align partition with the bottom panel. Insert bolts (A), lock washers (C) and flat washers (B) and tighten with supplied hex key. Do not overtighten.



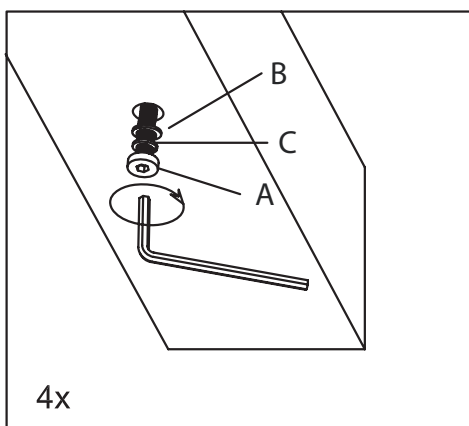
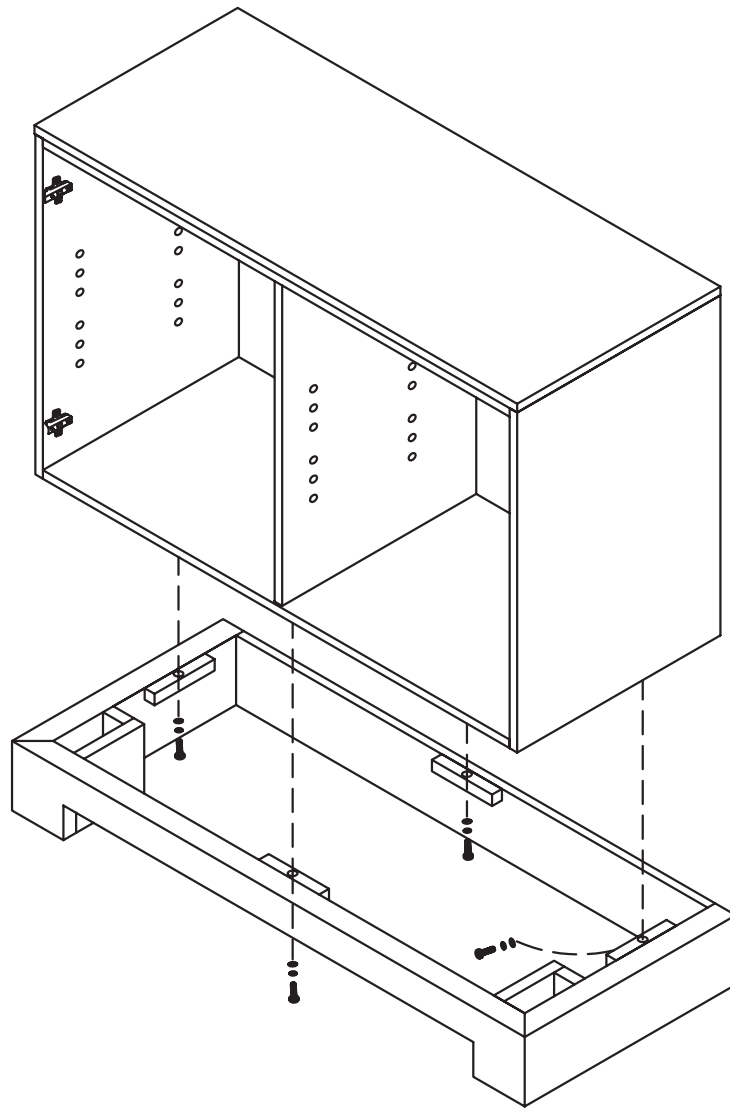
2. Slide back panel down into grooves in back of the End panels like the drawing shows.



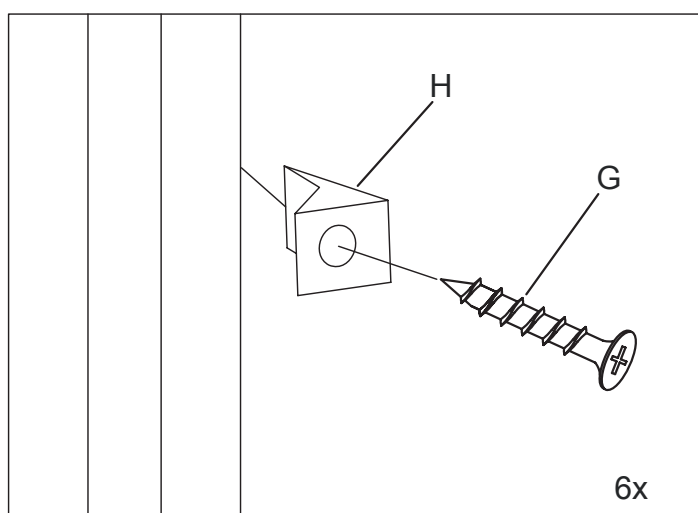
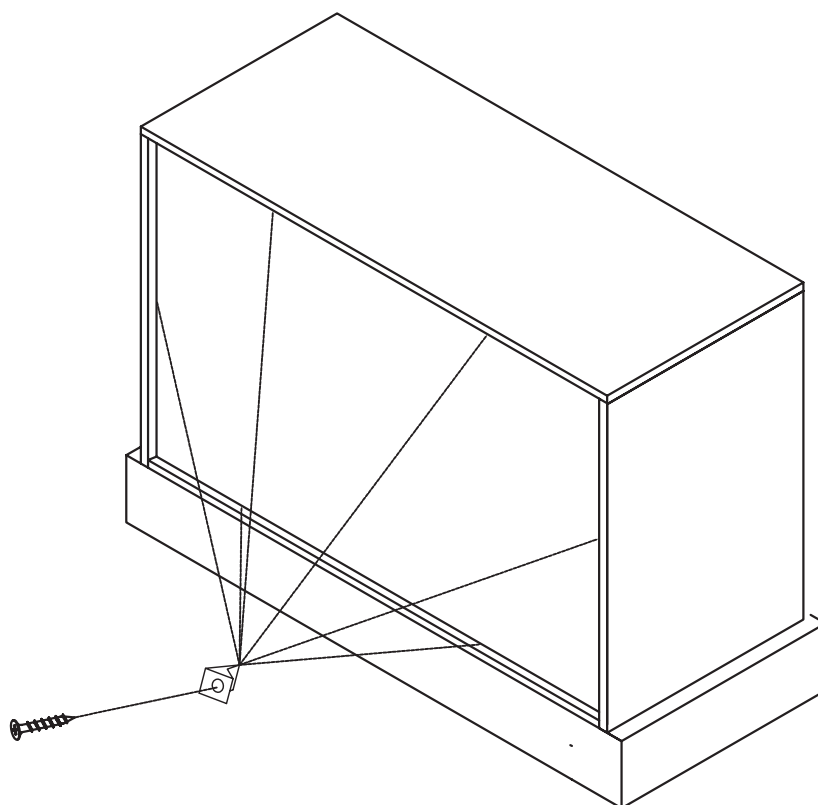
3. Insert cam bolts (D) into the bottom of the top panel. Insert cam locks (C) into the sides of the partitions and end panels. Press the top down onto the case and tighten the cam lock clockwise with a screwdriver.



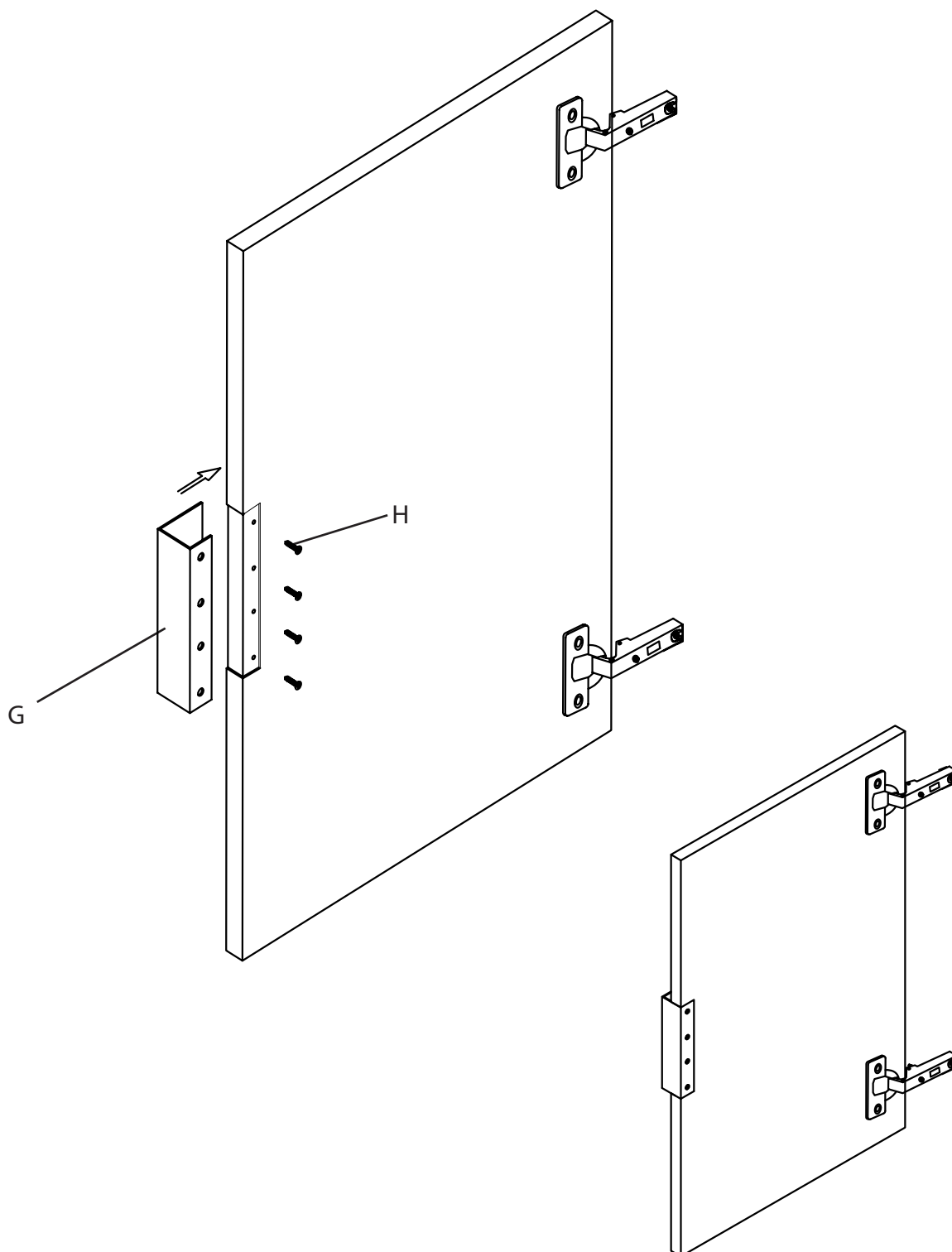
4. Align base with bottom panel. Insert bolts (A), lock washer (C), and flat washer (B). Tighten with supplied hex key. Do not over tighten.



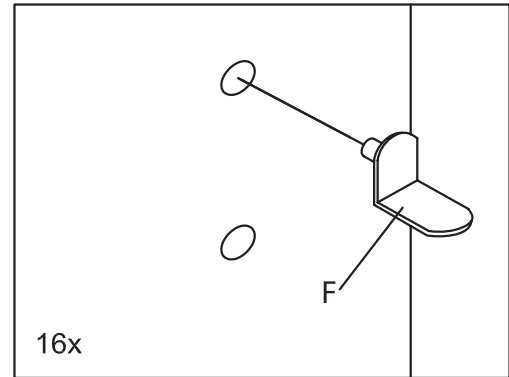
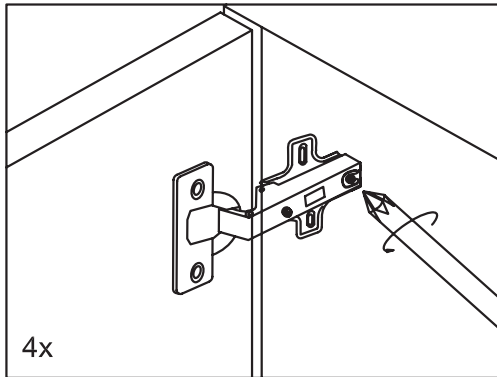
5. Press plastic clasps into grooves on back of unit like drawing shows. Insert screws into clasps. Tighten with screwdriver.



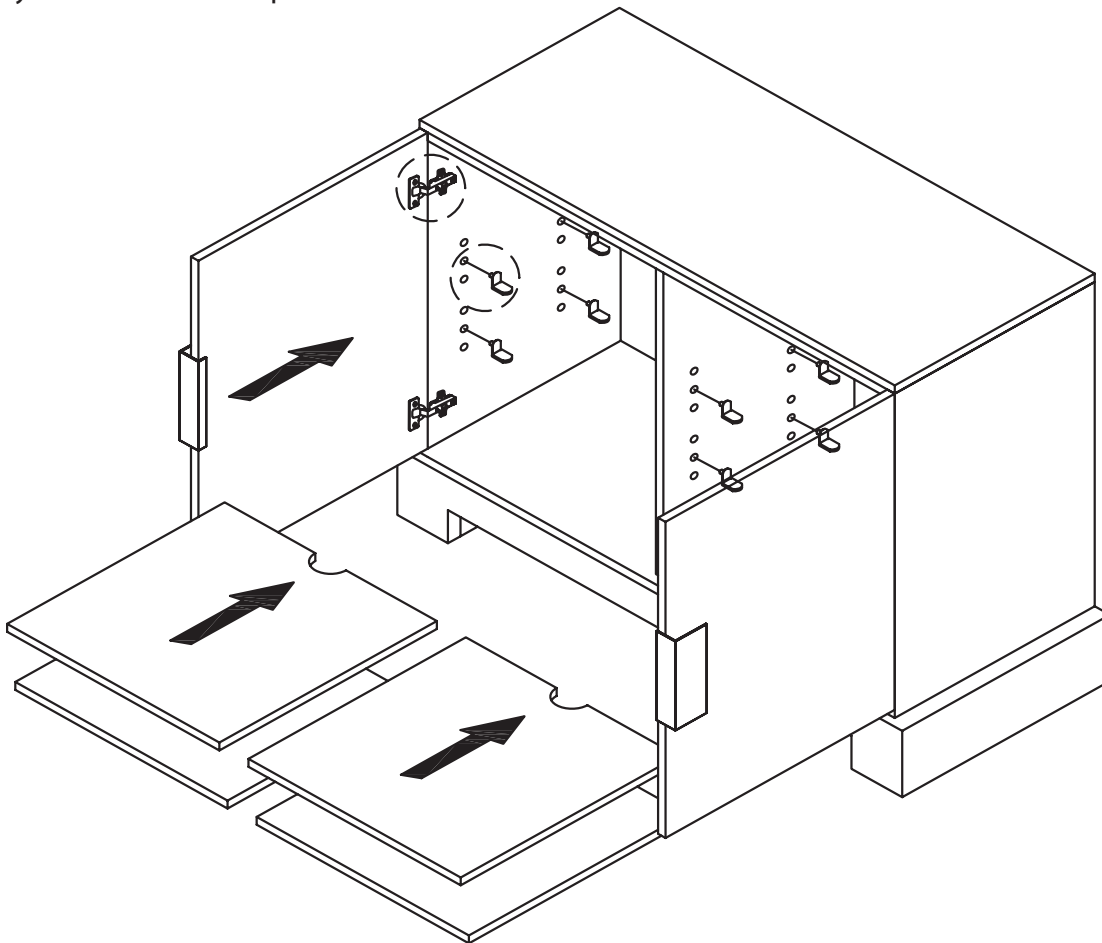
5. Align door handle (G) with notch on door. Insert screws (H) through door handle (G) into door.  
Do Not Overtighten!



6. Attach doors to hinges preassembled on inside of end panel. Use a screwdriver on the back screw to adjust the doors once they are installed.



7. Open doors straight out. insert shelf pins (F) into the desired holes in the end panels and partitions. Carefully slide shelves into place.



Note: Hinges are adjustable. A combination of these adjustments may be necessary to level doors.

FOR SIDE adjustment (adjusting the gap between doors and leveling doors)

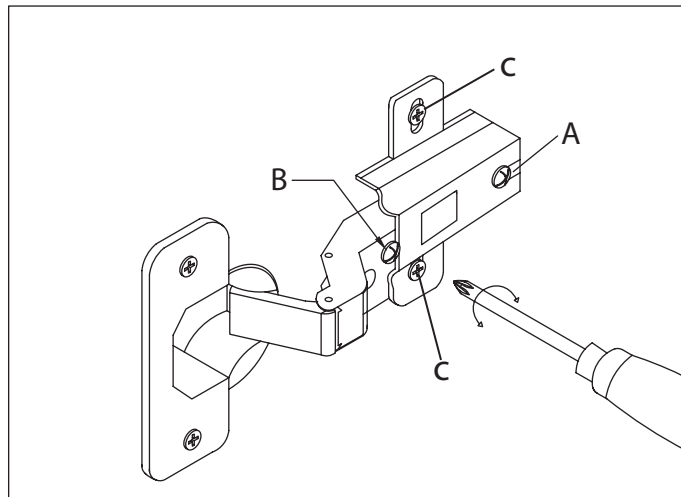
1. Adjust gap by turning screw B

FOR DEPTH adjustment (adjusting how close the doors rest against the cabinet):

1. Loosen screw A .
2. Adjust depth.
3. Re-tighten screw A .

FOR HEIGHT adjustment

1. Loosen screw C (both screws)
2. Adjust height.
3. Re-tighten screws.

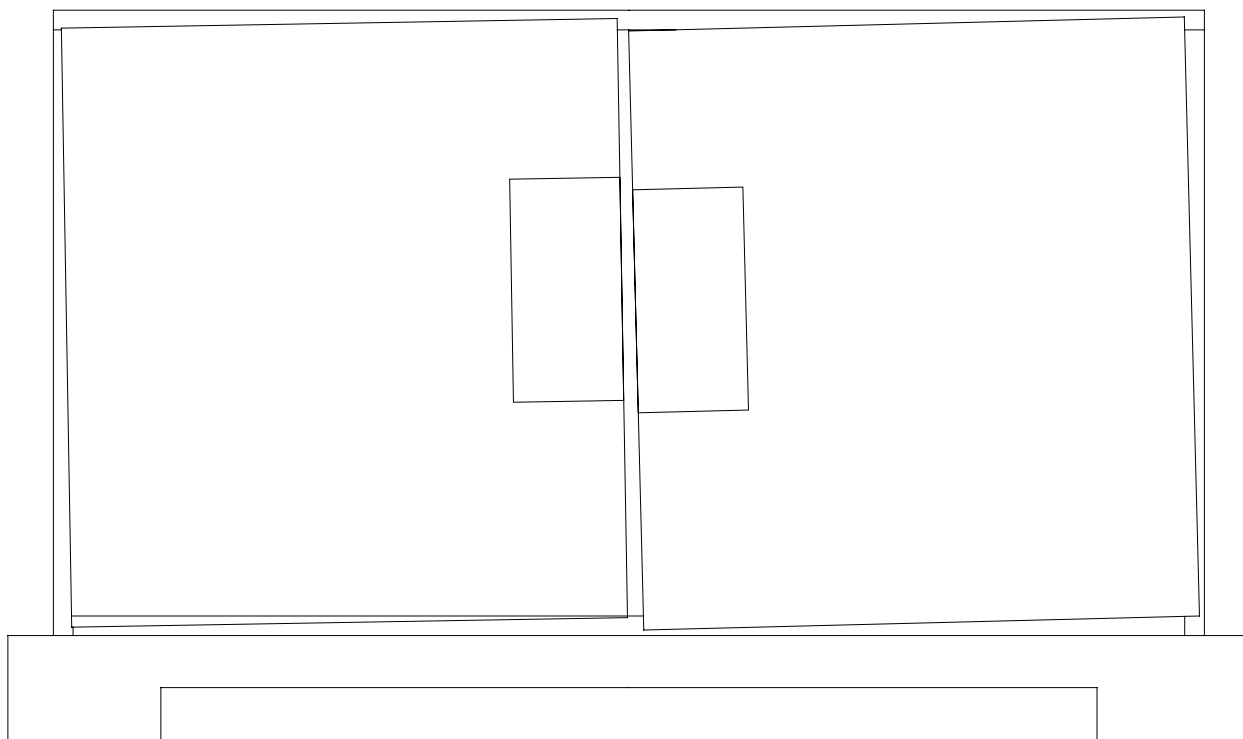


TO ADJUST LEFT DOOR IN BELOW EXAMPLE:

1. Adjust top hinge by turning screw B clockwise
2. Adjust bottom hinge by turning screw B counterclockwise.

TO ADJUST RIGHT DOOR IN BELOW EXAMPLE:

1. Adjust top hinge by turning screw B counterclockwise
2. Adjust bottom hinge by turning screw B clockwise.

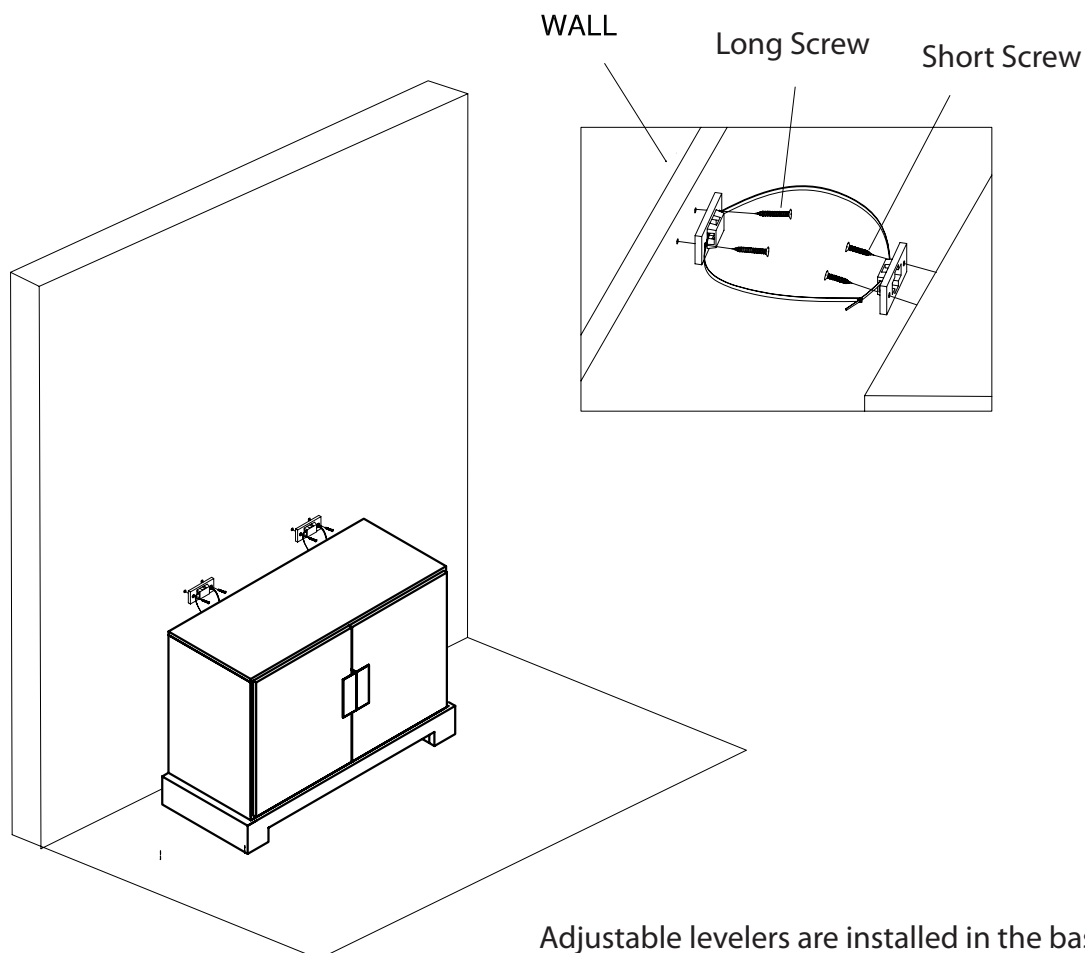




NOTICE: To prevent injury and property damage from unexpected tipping of furniture, we highly recommend installation of the anti-tip kit included with this product.

Attaching unit to wall with anti-tip kits.

1. Determine where the unit is to be placed and mark location on the wall for the mounting bracket screw holes. They should be placed approximately 1" below the top on the back of the unit.
2. Attach the mounting bracket vertically to the wall by inserting the long screws provided through the holes in the bracket and tightening securely using screwdriver. Screws must penetrate wall studs for proper installation.
3. Next using the short screws attach the 2nd bracket to the back of the unit top.
4. Lace the nylon strap down through the brackets. Slide the thin end of the strap through the receiving end of the nylon strap. Pull to tighten tower snug against wall.



Adjustable levelers are installed in the base to accommodate uneven flooring. To adjust these levelers, simply turn them counterclockwise to raise the base .

#### CARE INSTRUCTIONS

Hardware may loosen overtime. Periodically check that all connections are tight.

Wipe with a soft, dry cloth. To protect finish, avoid the use of chemicals and household cleaners.