

west elm

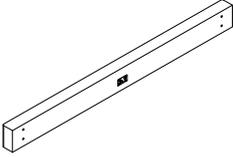
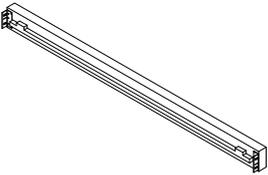
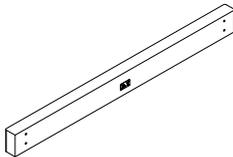
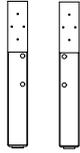
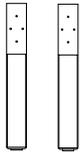
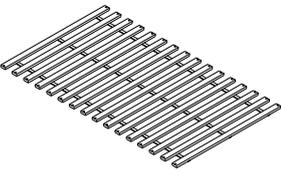
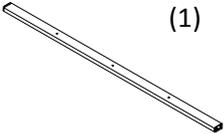


Simple Upholstered Platform Bed

- ! Do not throw away packaging materials until assembly is complete.
- ! Assemble this item on a soft surface, such as cardboard or carpet, to protect finish.
- ! Proper assembly of this item requires 2 people.

CARE INSTRUCTIONS

Hardware may loosen over time. Periodically check that all connections are tight. Wipe with a soft, dry cloth. To protect, avoid the use of chemicals and household cleaners.

<p>A</p>  <p>Headboard</p> <p>(1)</p>	<p>B</p>  <p>Side Rail</p> <p>(2)</p>	<p>C</p>  <p>Footboard</p> <p>(1)</p>	<p>D-A</p> <p>Headboard Leg (with boring)</p>  <p>(2)</p> <p>D-B</p> <p>Footboard Leg</p>  <p>(2)</p>
<p>E</p> <p>SS-1112</p>  <p>Flat Washer (8)</p>	<p>F</p> <p>SS-8192</p>  <p>1" Bolt 5/16-18 (8)</p>	<p>G</p>  <p>1" Slat Screw Inside Slat Kit</p>	<p>H</p> <p>SS-1115</p>  <p>Lock Washer (8)</p>
<p>I</p> <p>Roll Slat Kit</p>  <p>Twin-Full (1) Queen-King-Cal King (2)</p>	<p>J</p> <p>SS-7044 (Tool Included)</p>  <p>Hex Key</p>	<p>K</p>  <p>(1)</p> <p>Middle Beam/Traverse Queen-King-Cal King</p>	<p>L</p> <p>SS-4300</p>  <p>11.625" Center Support Height With Glide</p> <p>Support Leg Queen-King- Cal King (3)</p>

Tools Required (not included)

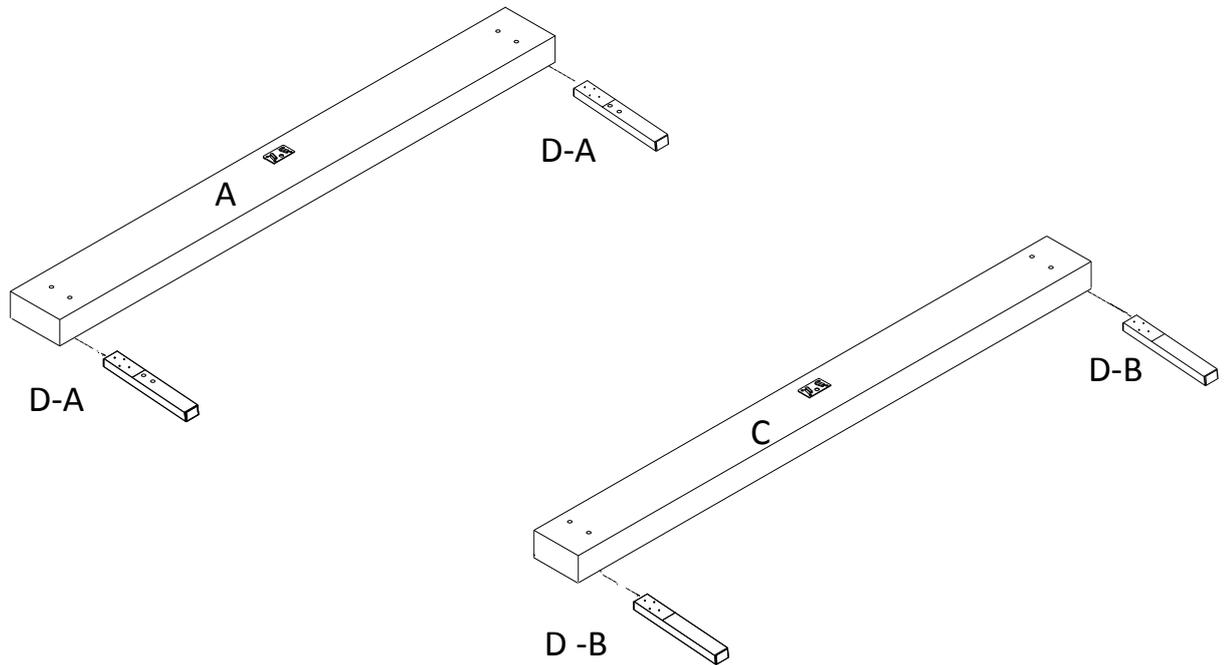


west elm

Simple Upholstered Platform Bed

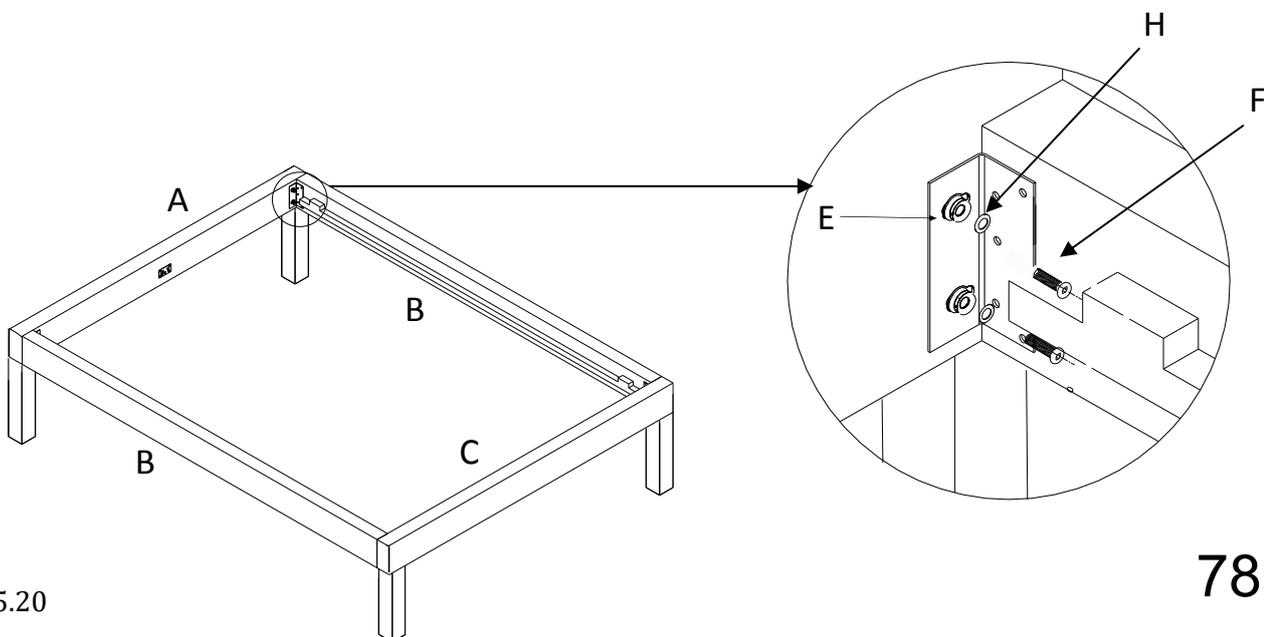
1. Carefully lay the Headboard (A) and Footboard (C) down on a smooth scratch free surface. Using a Phillips head screwdriver and supplied screws GA-GB, attach the legs (D-A) into bottom of headboard (A) and D_B to footboard (C), tighten with hand.

NOTE: Legs are attached prior to shipping.



2. Using Hex Key (J) Attach Side Rail (B) to Headboard (A) and Footboard (C) as shown, insert Hex Bolt (F) Through Lock Washer (H) and Flat Washer (E)

NOTE: Do not tighten up the bolts at this point to make installation of the slats easier.



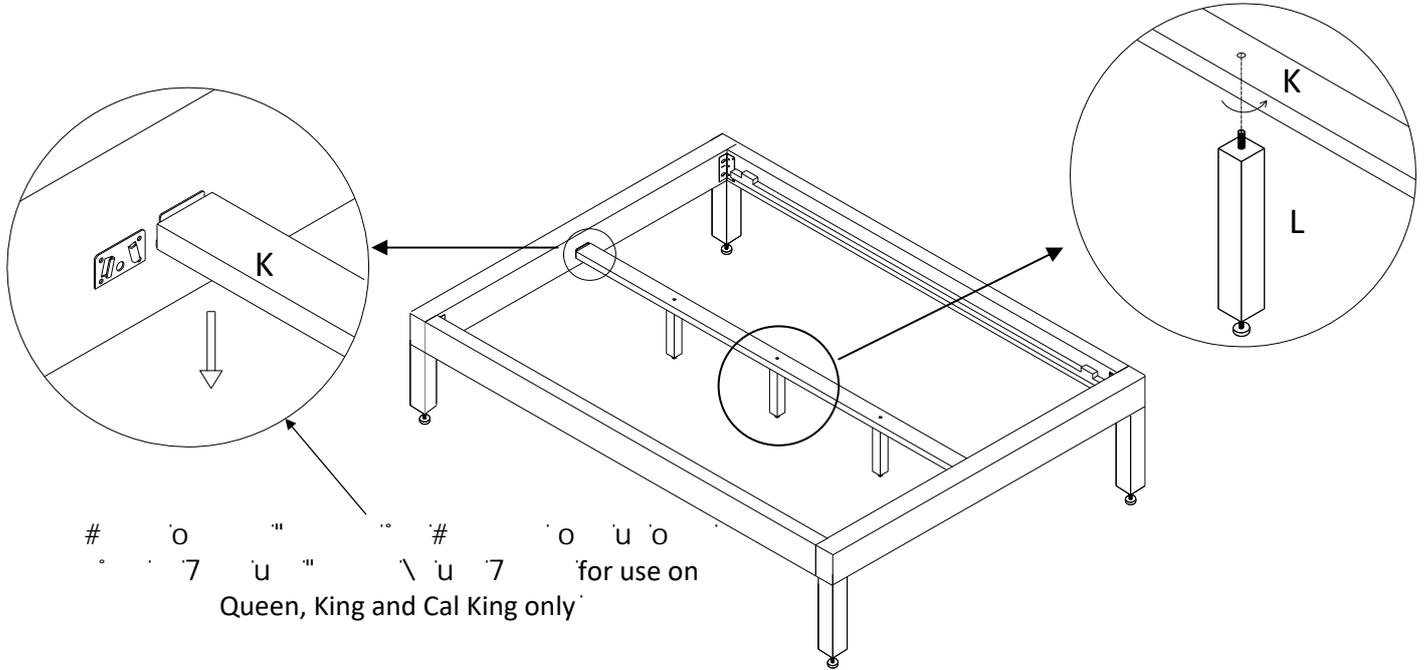
west elm

Simple Upholstered Platform Bed



3. Screw the Support Leg (L) to Middle Beam (K), and attach Middle Beam to Headboard and Footboard as shown.

CENTER LEG SUPPORT HEIGHT 11.625" x 2" x 2"



4. Place the Slats (I) on the bed, fix with screw (G), and then tighten with Phillips Head Screwdriver. **Fully tighten the bolts in step 2 .** Assembly is complete.

