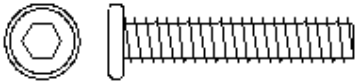
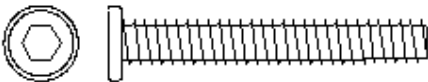


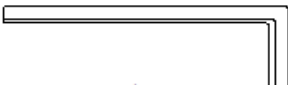


- ! Tool required:
- ! Do not throw away packaging materials until assembly is complete.
- ! Assemble this item on a soft surface, such as: cardboard or carpet to protect finish.
- ! Proper assembly of this item requires 2 people.

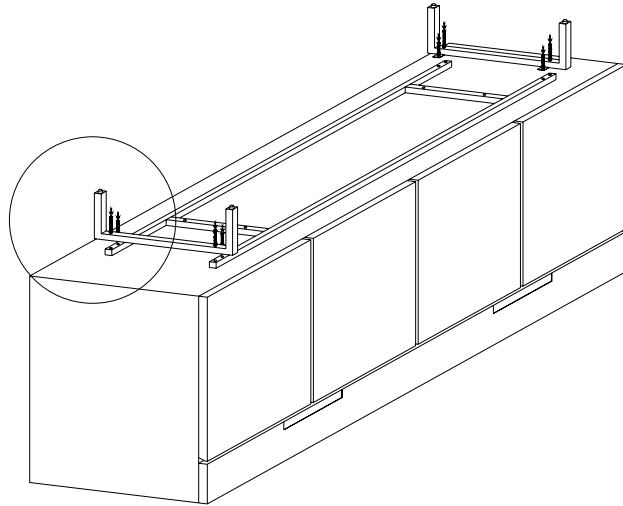
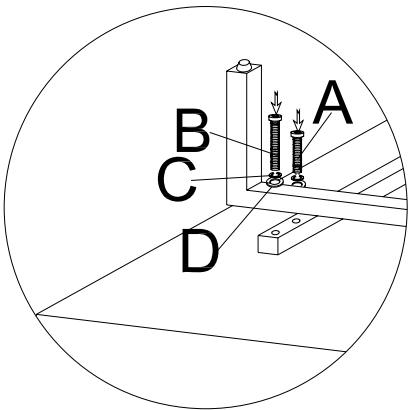
Hardware

<p>A</p>  <p>short bolt 4x</p>	<p>B</p>  <p>long bolt 4x</p>
<p>C</p>  <p>lock washer 8x</p>	<p>D</p>  <p>flat washer 8x</p>
<p>E</p>  <p>allen key 1x</p>	

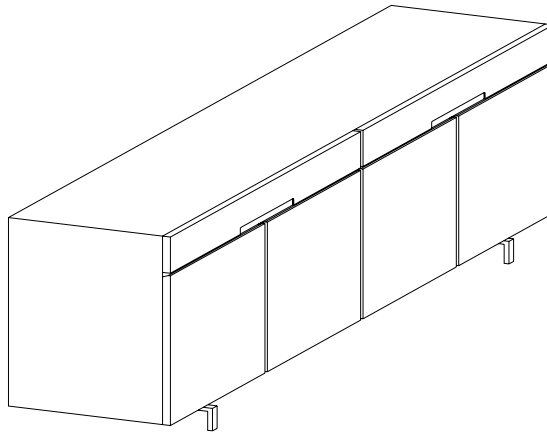
CAUTION

- The top shelf of this cart/stand is intended for use with Plasma/LCD/DLP/HD televisions having a maximum screen size of 42 inches and weight of 80 lbs; or Tube televisions having a maximum screen size of 24 inches and weight of 80 lbs.
- All other support shelves should not be loaded more than 25 lbs.
- **DO NOT EXCEED RECOMMENDED LOAD.** Use with products heavier than the maximum sizes and weights indicated may result in instability causing possible injury.
- This unit contains a permanent sticker located either beneath media support shelf or inside drawer.
- Do not allow children under 16 years to move cart.

1. Put the console upside down on a soft surface, such as: cardboard or carpet to protect finish. Fasten metal legs to console with short bolt (A), long bolt (B), lock washer (C) and flat washer (D) as shown below. Tighten all bolts with supplied allen key (E).



2. With 2 adults turn the console to upright position.



CARE INSTRUCTIONS

Hardware may loosen over time. Periodically check that all connections are tight.

Wipe with a soft, dry cloth. To protect finish, avoid the use of chemicals and household cleaners.

NOTICE: To prevent injury and property damage from unexpected tipping of furniture, we highly recommend installation of the anti-tip kit included with this product.

Attaching unit to wall with anti-tip kits.

1. Determine where the unit is to be placed and mark location on the wall for the mounting bracket screw holes. They should be placed approximately 1" below the top on the back of the unit.
2. Attach the mounting bracket vertically to the wall by inserting the long screws provided through the holes in the bracket and tightening securely using screwdriver. Screws must penetrate wall studs for proper installation.
3. Next using the short screws attach the 2nd bracket to the back of the unit top.
4. Lace the nylon strap down through the brackets. Slide the thin end of the strap through the receiving end of the nylon strap. Pull to tighten tower snug against wall.

