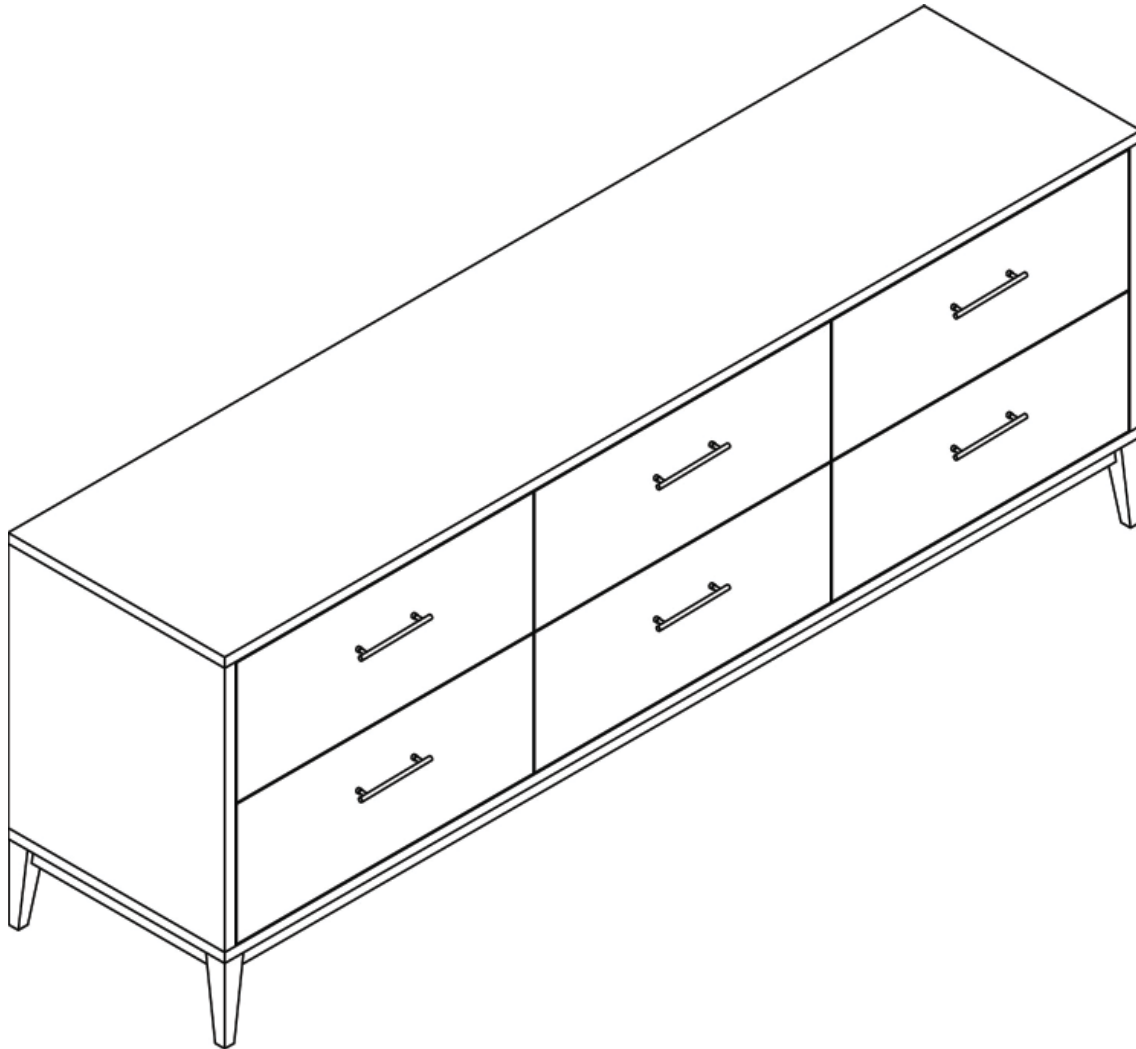


west elm

# narrow leg 6 drawer dresser

assembly instructions



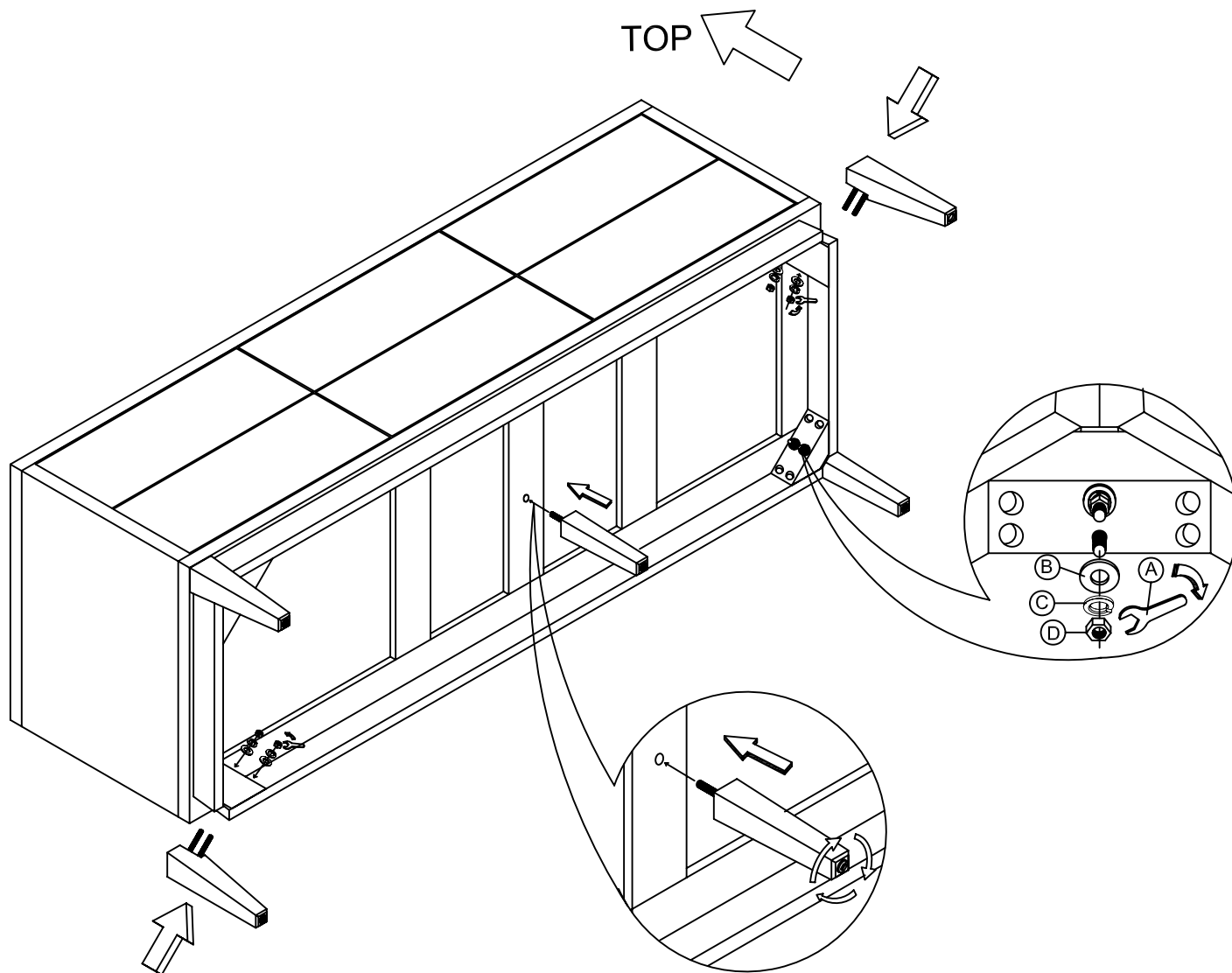
! Tools required:




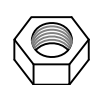


! Do not throw away packaging materials until assembly is complete.

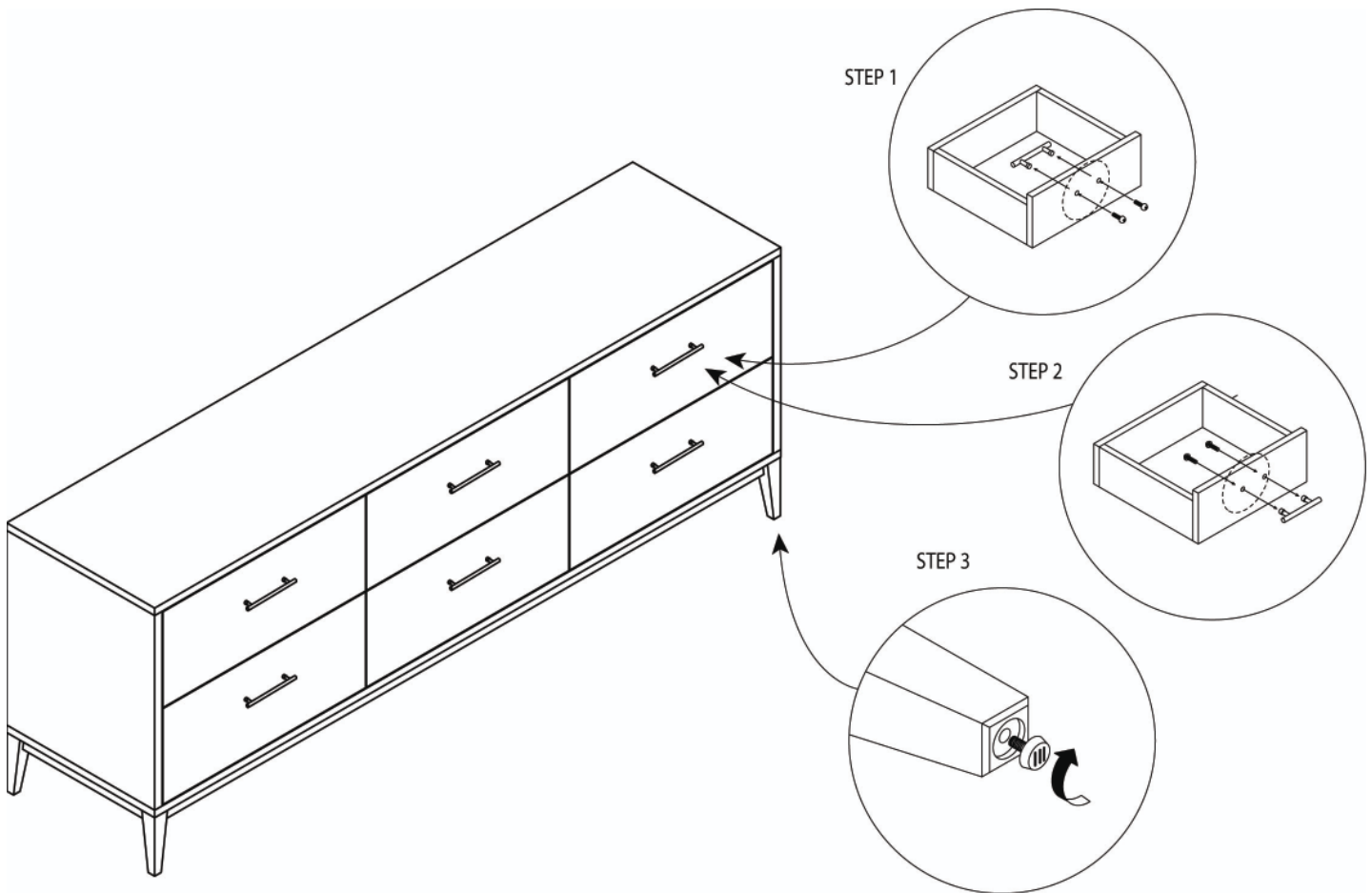
! Assemble this item on a soft surface, such as cardboard or carpet, to protect finish.

1. Place 6 drawer dresser on a soft, non-marring surface.
2. Attach legs to bottom frame using Hex nut (D), Spring washer (C) and Flat washer (B) as illustrated.
3. Insert center leg to bottom frame and turn clockwise to tighten.



 A Wrench 13 1x	 B Flat Washer 8x M6 x 13	 C Spring Washer 8x M6 x 13	 D Hex Nut M8 8x
---	--	---	--

4. Pull top drawer out and using a phillips head screwdriver unscrew the drawer hardware. Repeat for all drawers
5. Flip the hardware around to the front of the drawer, insert the screws from the back of the drawer front and tighten with the phillips head screwdriver. Repeat for all drawers.



6. Once the dresser is in place you may need to adjust the feet to accomodate uneven flooring or carpet.

#### CARE INSTRUCTIONS

Hardware may loosen overtime. Periodically check that all connections are tight.

Wipe with a soft, dry cloth. To protect finish, avoid the use of chemicals and household cleaners.