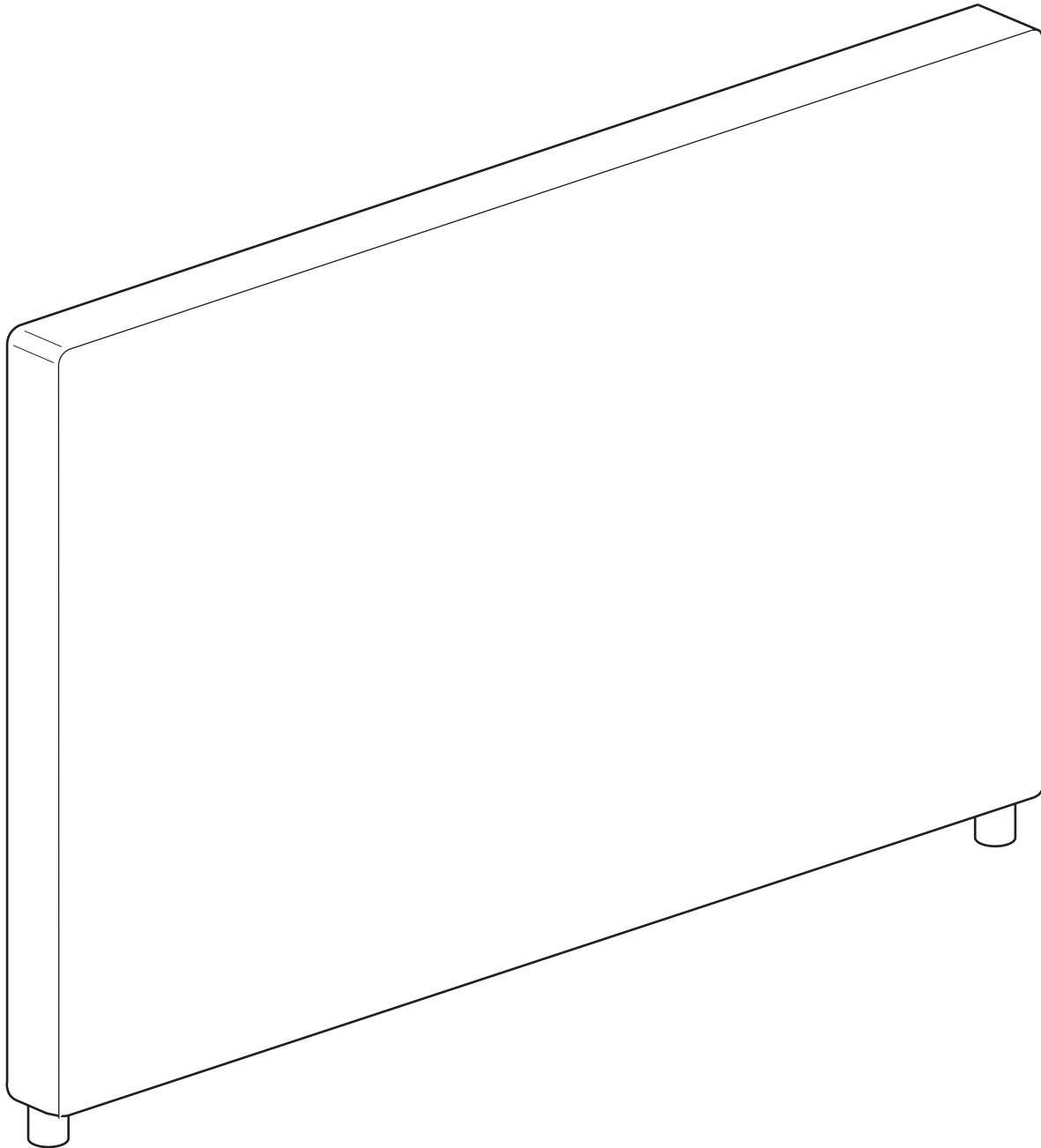


west elm : upholstered headboard

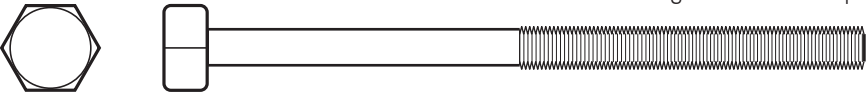
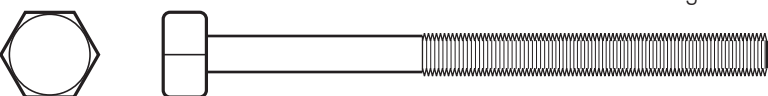
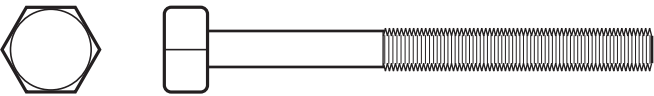
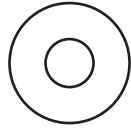

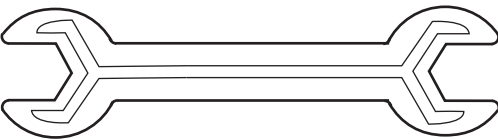
assembly instructions



- ! Do not throw away packaging materials until assembly is complete.
- ! Assemble this item on a soft surface, such as cardboard or carpet, to protect the finish.
- ! Proper assembly of this item requires 2 people.

west elm : upholstered headboard

assembly instructions

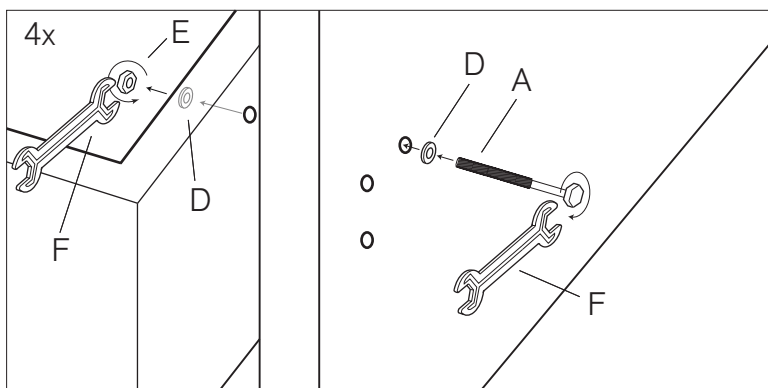
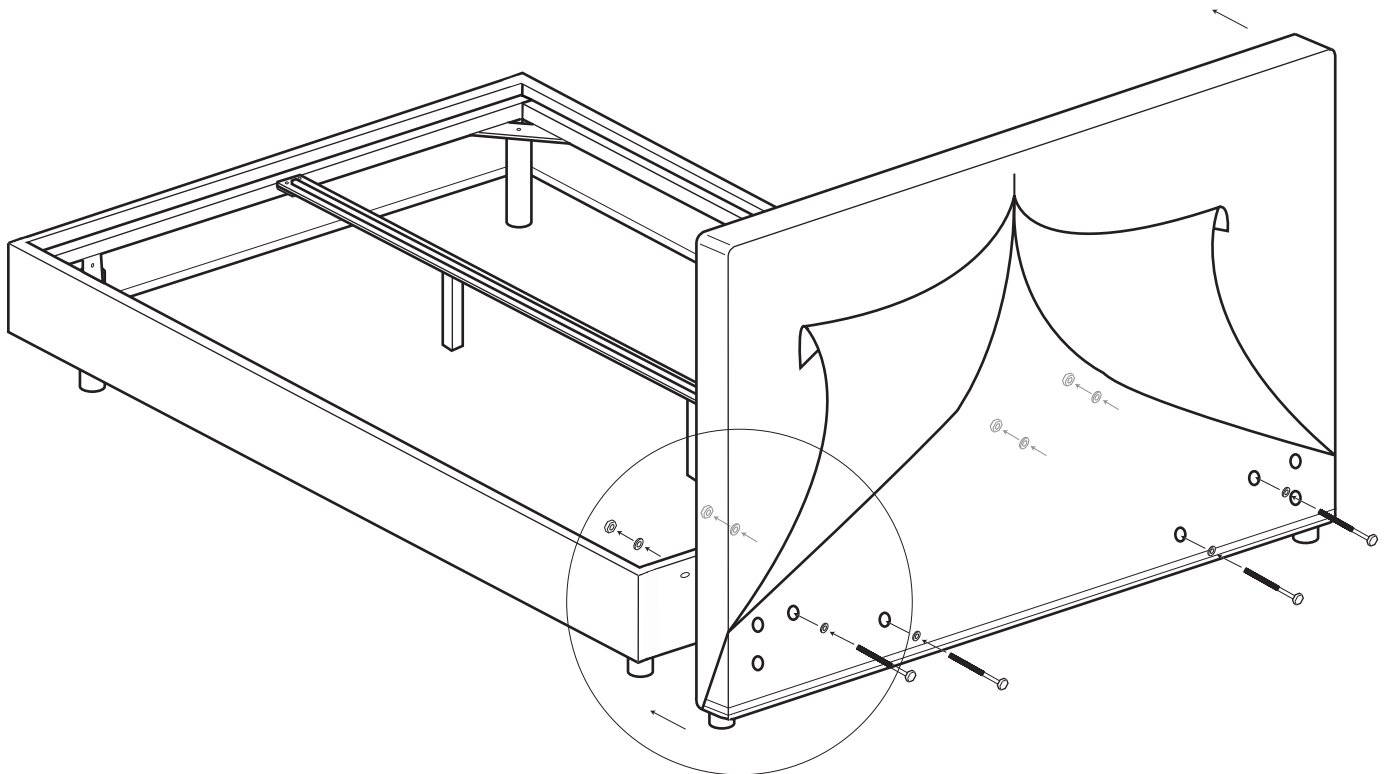
<p>A</p>  <p>For use when attaching to West Elm's upholstered bedframe</p> <p>large bolt: 1/4" DIA x 6 1/8" 4x</p>	
<p>B</p>  <p>For use when attaching to West Elm's wood bedframe</p> <p>medium bolt: 1/4" DIA x 5 1/8" 4x</p>	
<p>C</p>  <p>For use when attaching to West Elm's standard bedframe</p> <p>small bolt: 1/4" DIA x 4 3/4" 4x</p>	
<p>D</p>  <p>metal washer 8x</p>	<p>E</p>  <p>nut 4x</p>
<p>F</p>  <p>wrench 2x</p>	

west elm : upholstered headboard

assembly instructions

Attaching headboard to West Elm's upholstered bedframe:

1. Starting from the top, slide slipcover over upholstered headboard frame. Make sure to position opening on slipcover towards the less cushioned, back side of the headboard.
2. To attach headboard to bedframe, align holes on headboard with holes on backboard of bed.
3. Insert large bolt (A) through washer (D) through the holes on the headboard, through holes on the bedframe, and into washer (D) and nut (E). Tighten with two wrenches (F) as shown.
4. Secure slipcover to velcro fasteners at the bottom edges of back and sides of headboard.



CARE INSTRUCTION

Hardware may loosen over time. Periodically check that all connections are tight.

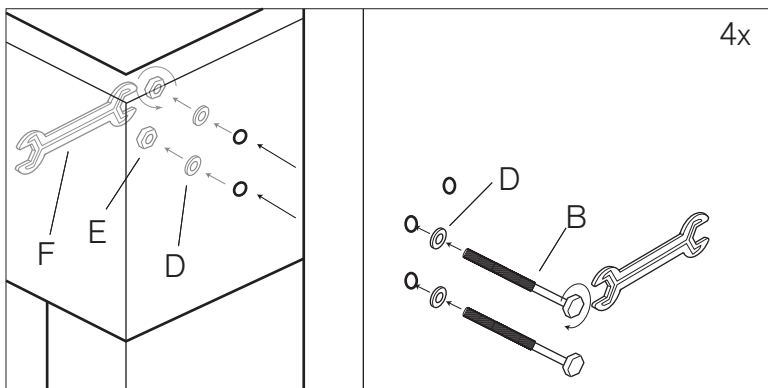
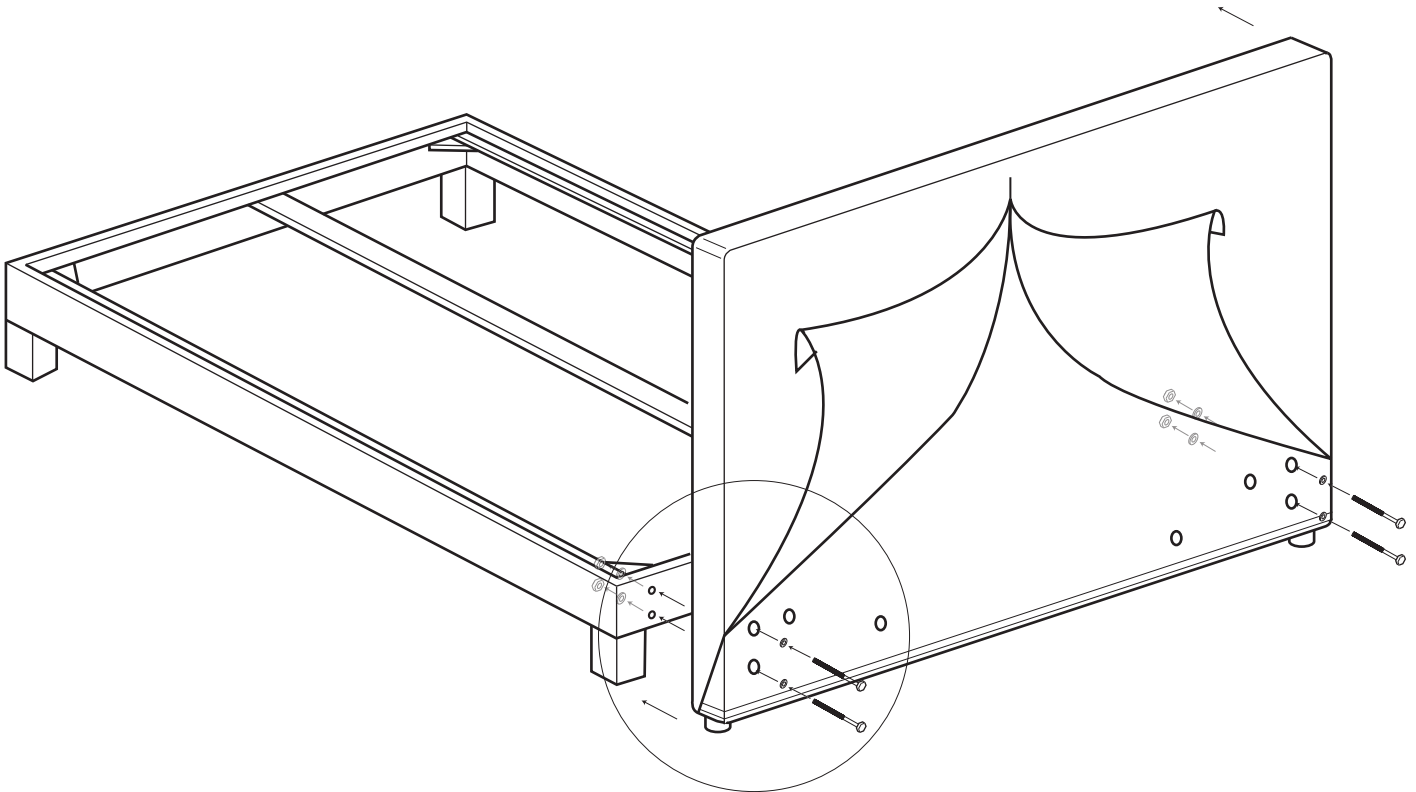
Wipe with a soft, dry cloth. To protect finish, avoid the use of chemicals and household cleaners.

west elm : upholstered headboard

assembly instructions

Attaching headboard to West Elm's wood bedframe:

1. Starting from the top, slide slipcover over upholstered headboard frame. Make sure to position opening on slipcover towards the less cushioned, back side of the headboard.
2. To attach headboard to bedframe, align holes on headboard with holes on backboard of bed.
3. Insert medium bolt (B) through washer (D) through the holes on the headboard, through holes on the bedframe, and into washer (D) and nut (E). Tighten with two wrenches (F) as shown.
4. Secure slipcover to velcro fasteners at the bottom edges of back and sides of headboard.



CARE INSTRUCTION

Hardware may loosen over time. Periodically check that all connections are tight.

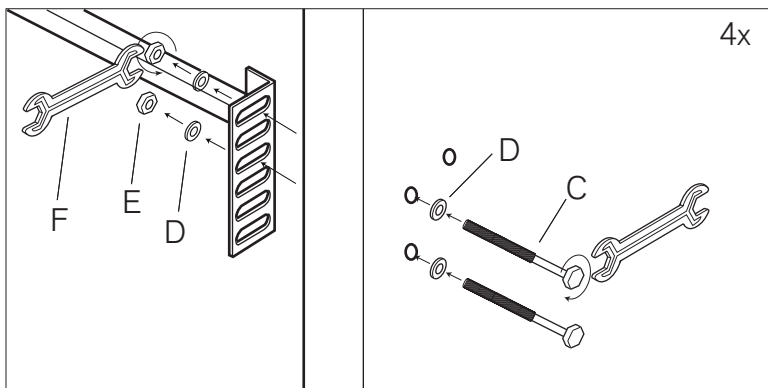
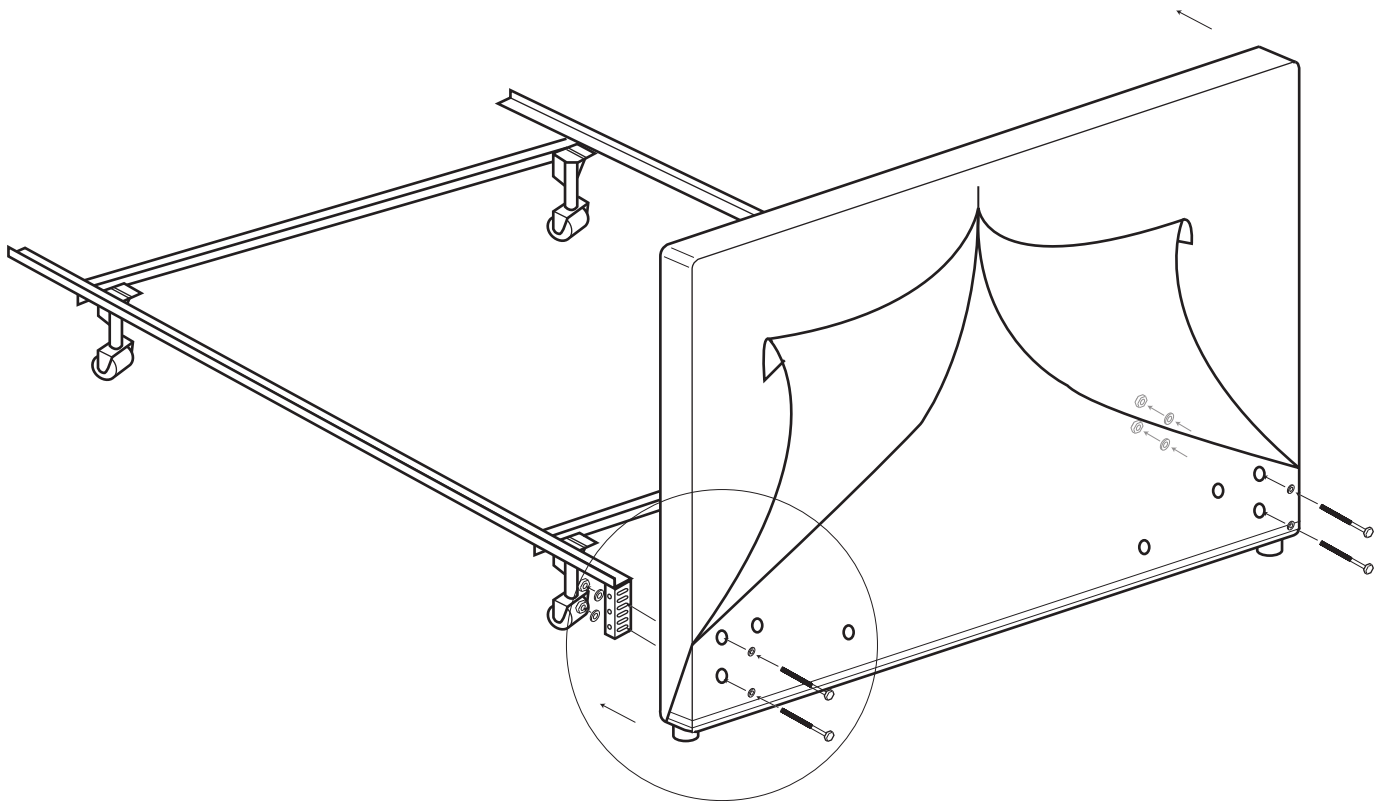
Wipe with a soft, dry cloth. To protect finish, avoid the use of chemicals and household cleaners.

west elm : upholstered headboard

assembly instructions

Attaching headboard to standard metal bedframe:

1. Starting from the top, slide slipcover over upholstered headboard frame. Make sure to position opening on slipcover towards the less cushioned, back side of the headboard.
2. To attach headboard to bedframe, align holes on headboard with holes on backboard of bed.
3. Insert small bolt (C) through washer (D) through the holes on the headboard, through holes on the bedframe, and into washer (D) and nut (E). Tighten with two wrenches (F) as shown.
4. Secure slipcover to velcro fasteners at the bottom edges of back and sides of headboard.



CARE INSTRUCTION

Hardware may loosen over time. Periodically check that all connections are tight.

Wipe with a soft, dry cloth. To protect finish, avoid the use of chemicals and household cleaners.