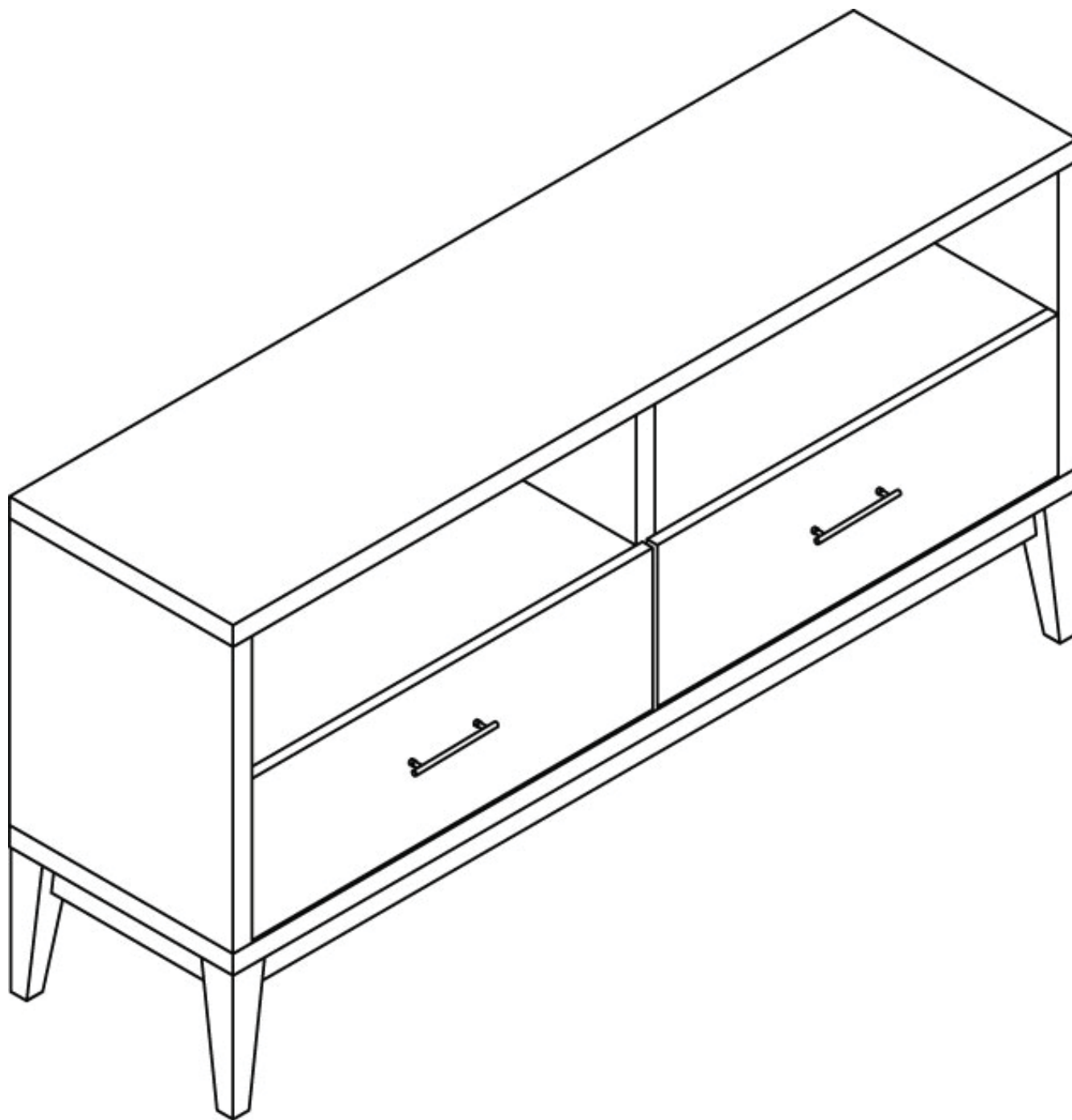


west elm

narrow leg media stand

assembly instructions



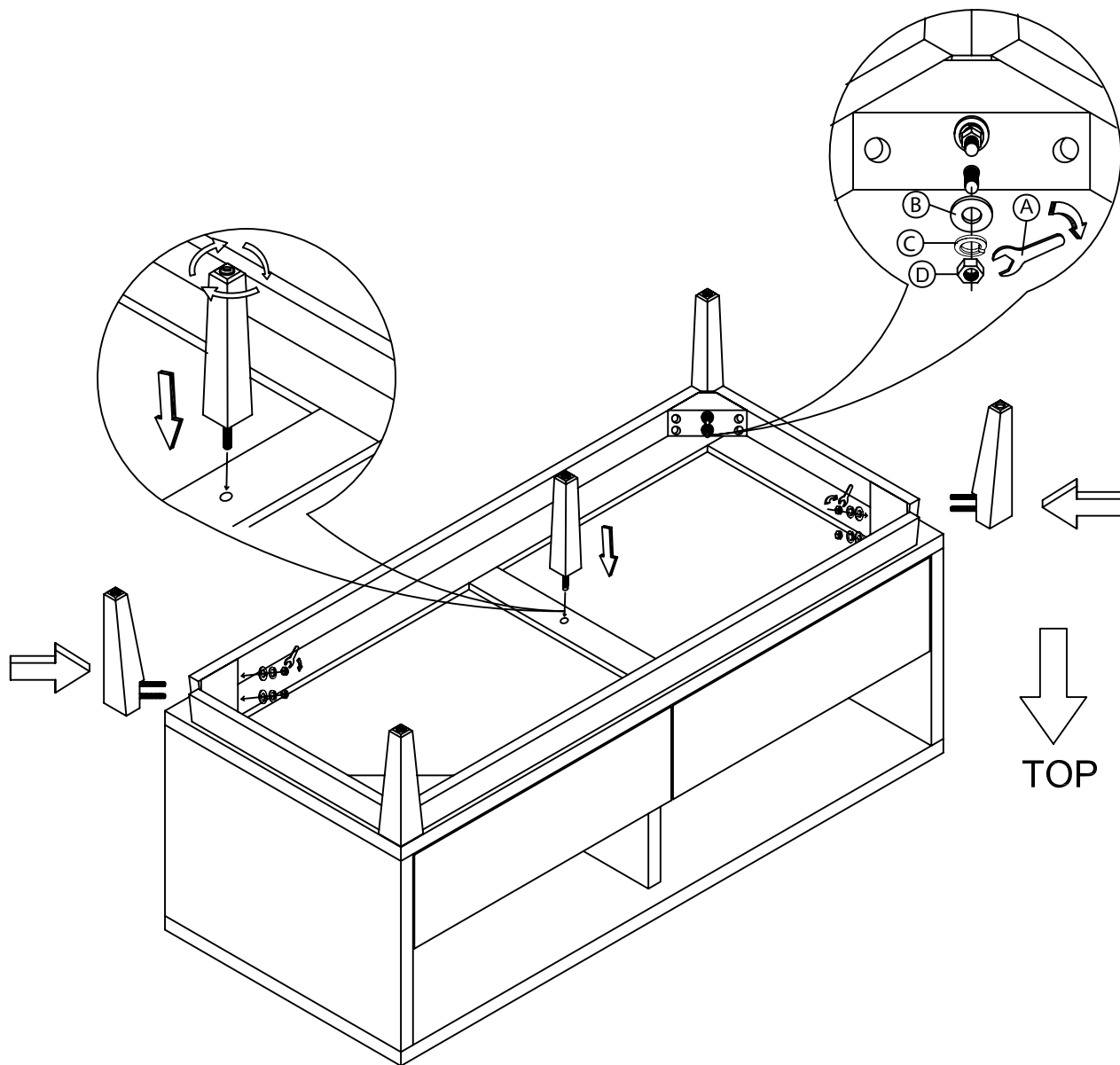
! Tools required:







! Do not throw away packaging materials until assembly is complete.

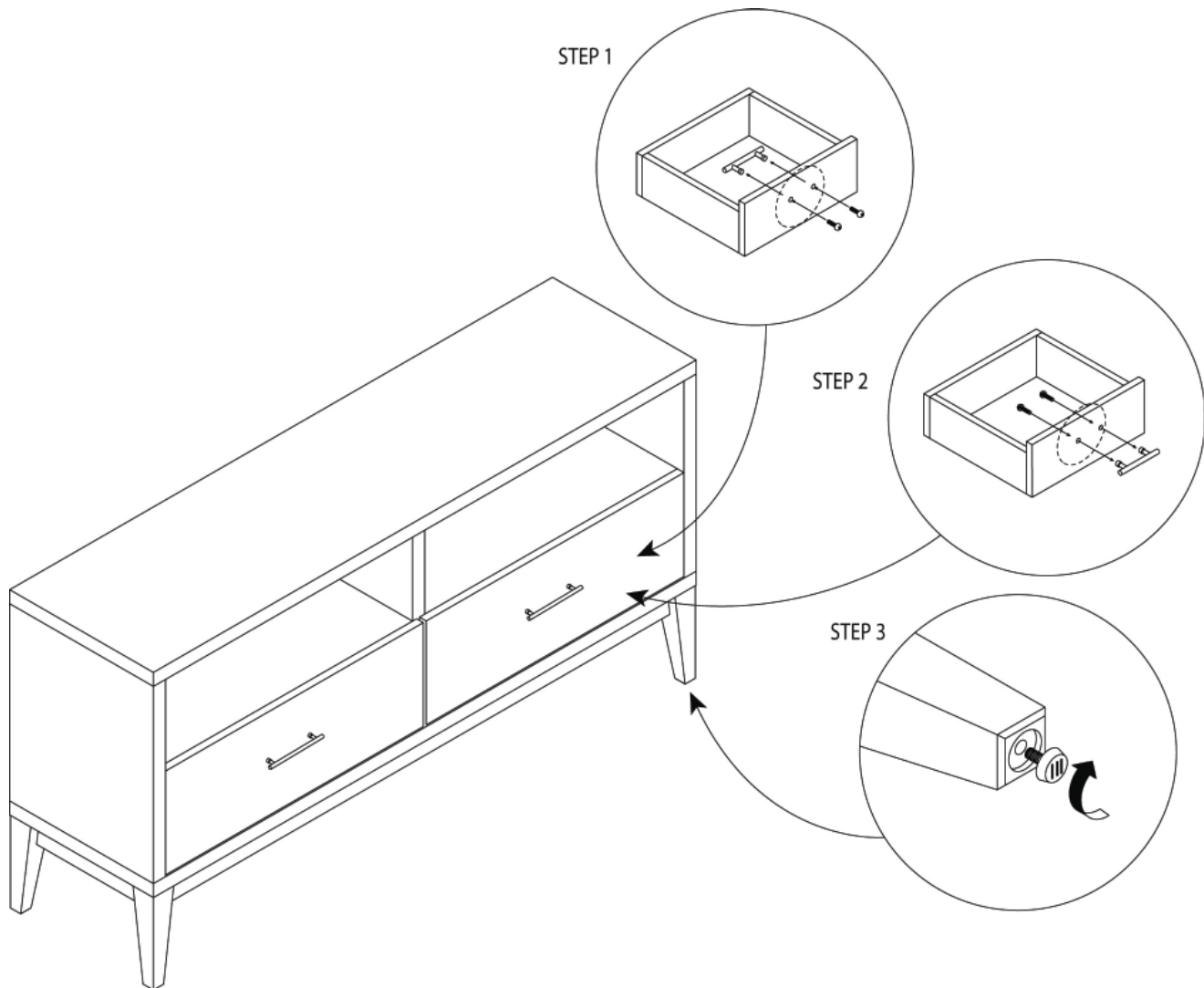
! Assemble this item on a soft surface, such as cardboard or carpet, to protect finish.

1. Place Media Stand on a soft, non-marring surface.
2. Attach legs to Bottom Frame using Hex Nut (D), Spring Washer (C) and Flat Washer (B) as illustrated.
3. Insert center leg to bottom frame and turn clockwise to tighten.



			
A Wrench 13 1x	B Flat Washer M6 x 13 8x	C Spring Washer M6 x 13 8x	D Hex Nut M8 8x

4. Pull top drawer out and using a phillips head screwdriver unscrew the drawer hardware. Repeat for all drawers
5. Flip the hardware around to the front of the drawer, insert the screws from the back of the drawer front and tighten with the phillips head screwdriver. Repeat for all drawers.



6. Once the media stand is in place you may need to adjust the feet to accomodate uneven flooring or carpet.

CARE INSTRUCTIONS

Hardware may loosen overtime. Periodically check that all connections are tight.

Wipe with a soft, dry cloth. To protect finish, avoid the use of chemicals and household cleaners.



CAUTION

The top shelf of this cart/stand is intended for use with:

Plasma/LCD/DLP/HD televisions having a maximum screen size of 45 inches and weight of 100 lbs;

or Tube televisions having a maximum screen size of 24 inches and weight of 70 lbs.

All other support shelves should not be loaded more than 25 lbs.

DO NOT EXCEED RECOMMENDED LOAD. Use with products heavier than the maximum sizes and weights indicated may result in instability causing possible injury.

This unit contains a permanent sticker located either beneath media support shelf or inside drawer.