

CAUTION:

- **BEFORE INSTALLING FIXTURE, MAKE SURE THE POWER TO THE CIRCUIT IS TURNED OFF AT THE MAIN FUSE BOX / CIRCUIT BREAKER UTILITY BOX.**

Important Safety Instructions:

- These instructions are provided for your safety. It is very important that they are read carefully and completely before beginning the assembly and installation of this lighting fixture.
- The ceiling Toggle Bolts (E) are meant for drywall ceiling mounting only. If the ceiling is made from concrete, brick or plaster, please consult your local hardware store for assistance. Use proper hardware for your ceiling type.
- Due to the large size of this lighting fixture, the fixture must be attached to the ceiling by the use of the 2 Toggle Bolts (E) (or other additional suitable ceiling mounting hardware, not included) which supports the Mounting Plate (F) along with the two J-box Mounting Screws (C).
- The installation is not to be made on a radiant-heating ceiling.
- We strongly recommended that a professional electrician install all direct wire fixtures.
- **THIS PRODUCT MUST BE INSTALLED IN ACCORDANCE WITH THE APPLICABLE INSTALLATION CODES BY A PERSON FAMILIAR WITH THE CONSTRUCTION AND OPERATION OF THE PRODUCT AND THE HAZARDS INVOLVED.**
- The lighting fixture is meant for indoor use. It must be connected only to 3-wire, single-phase electrical supply systems (provided with Ground wire or equivalent protection system).
- For your safety, it is strongly recommended that two people install the lighting fixture.
- This fixture has been rated for up to three (3) **60-watt maximum TYPE A standard incandescent light bulbs** (not included) or three (3) **13-watt maximum compact fluorescent light bulbs** (not included). To avoid the risk of fire, do not exceed the recommended lamp wattage.
- The lighting fixture is meant for indoor use, **DRY LOCATIONS ONLY.**
- **Save these instructions.**

WARNING:

- **To reduce the risk of fire, electrical shock or personal injury, always turn off light fixture and allow it to cool prior to replacing light bulb.**
- **Do not touch bulb when fixture is turned on. Do not look directly at lit bulb.**
- **Keep flammable materials away from lit bulb.**
- **This lighting fixture contains lead, a chemical known to the State of California to cause cancer, birth defects and other reproductive harm. Wash hands after installing, handling, cleaning or otherwise touching this light fixture.**

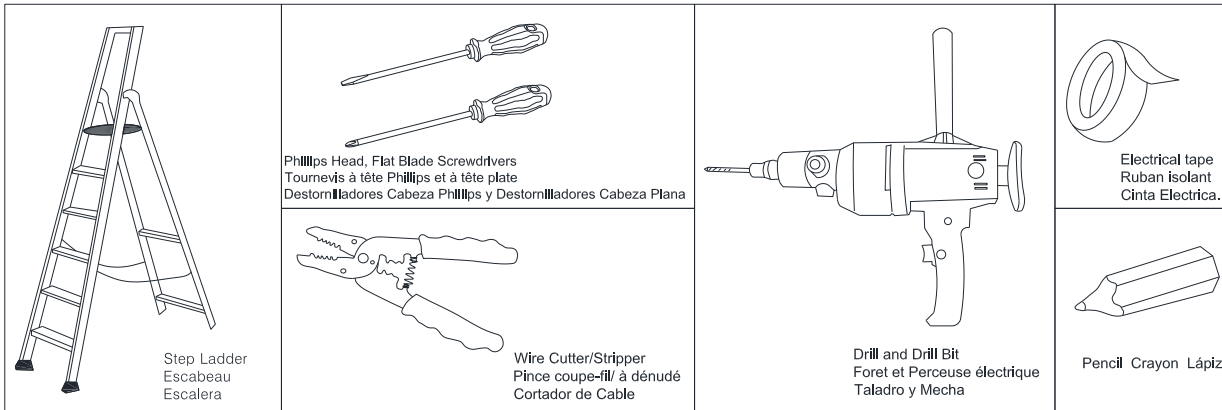
Pre-assembly:

- Remove all parts and hardware from box along with any plastic protective packaging.

Duo Walled Pendant, 3-Light Assembly Instructions

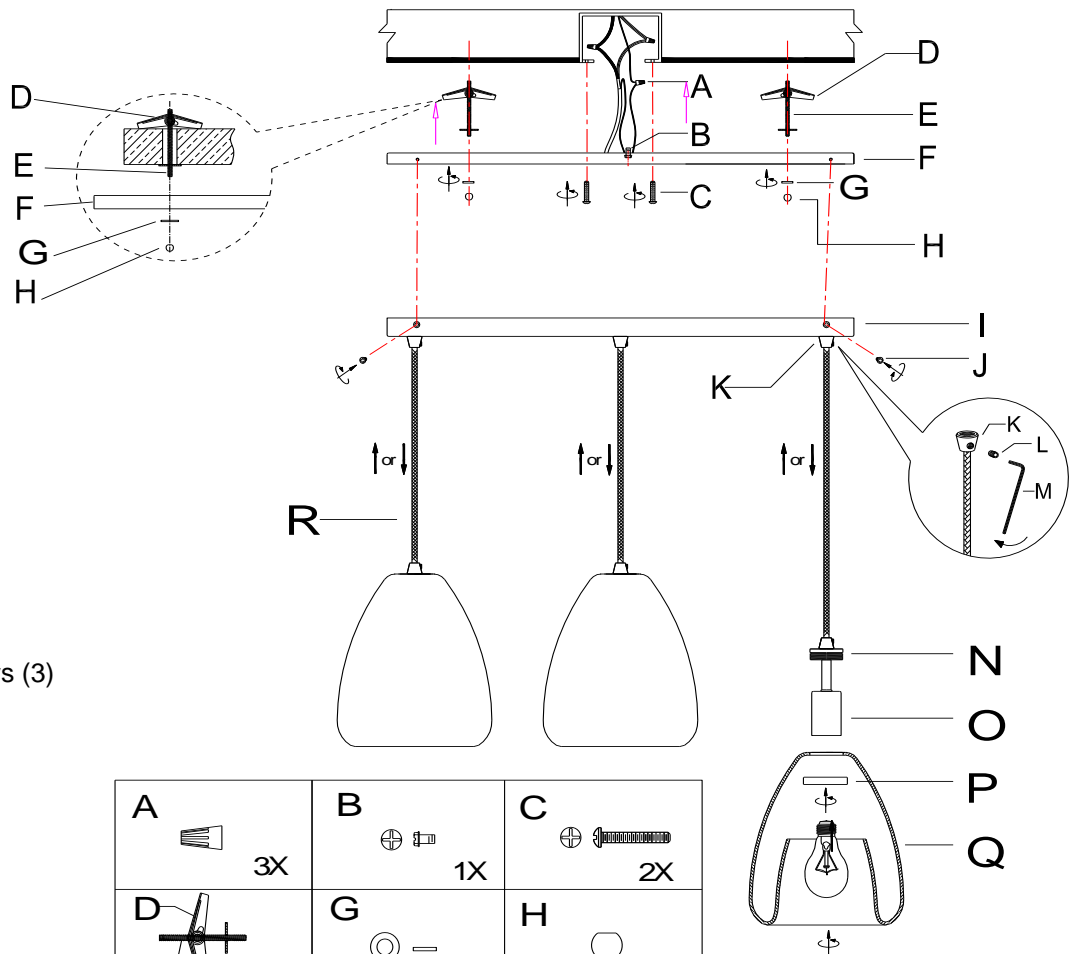
- Do not discard any contents until after assembly is complete to avoid accidentally discarding small parts or hardware.
- For your safety and convenience, assembly by two people is recommended.

TOOLS REQUIRED (not included):



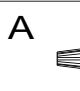
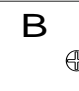
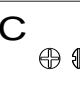
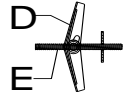

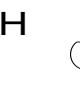

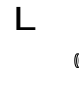
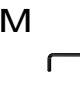
Parts Included:

- (B) Green Ground Screw (1)
- (F) Mounting Plate (1)
- (I) Canopy (1)
- (J) Canopy Screws (4)
- (K) Collars (3)
- (L) Allen Screws (3)
- (N) Socket Assemblies (3)
- (O) Sockets (3)
- (P) Socket Rings (3)
- (Q) Glass Shades (3)
- (R) Power Cords (3)



Hardware Enclosed:

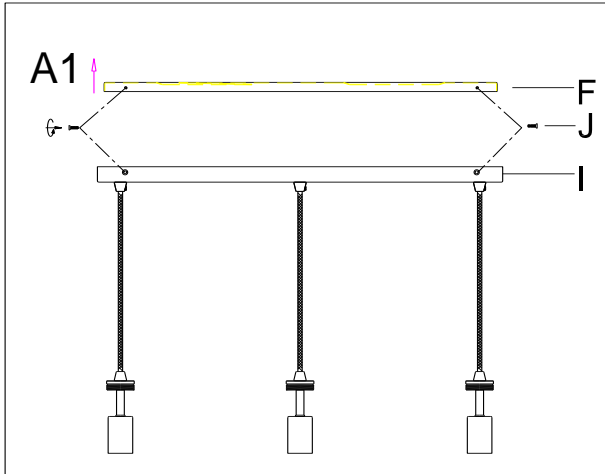
- (A) Plastic Wire Nut Connectors (3)
- (C) Mounting Screws (2)
- (D) Toggle Wings (2)
- (E) Toggle Bolts (2)
- (G) Flat washers (2)
- (H) Toggle Nuts (2)
- (M) Allen Wrench (1)

 <p>A 3X</p>	 <p>B 1X</p>	 <p>C 2X</p>
 <p>D 2X E 2X</p>	 <p>G 2X</p>	 <p>H 2X</p>
 <p>J 4X</p>	 <p>L 3X</p>	 <p>M 1X</p>

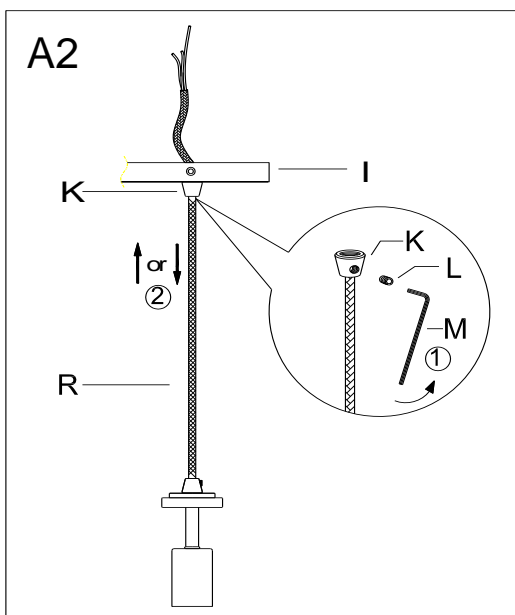
Duo Walled Pendant, 3-Light Assembly Instructions

To Adjust the Suspension Length of the Fixture:

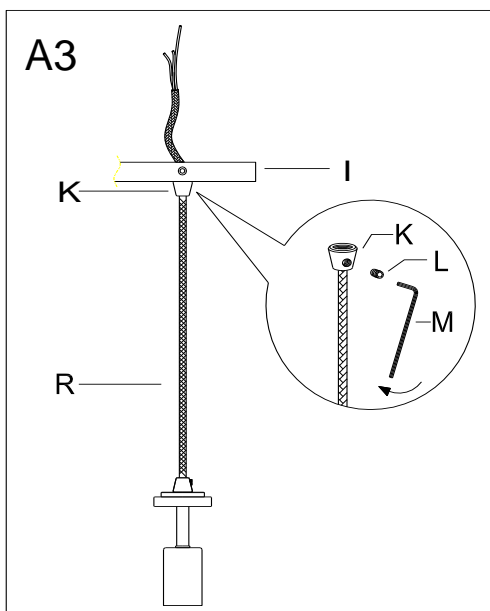
Note: The adjustment or shortening of the lighting fixture's suspension length is only needed if the factory set length is not appropriate for your installation. We recommend that you adjust the lighting fixture to proper desired length before cutting the electrical cord. Determine the lighting fixture suspension length from the ceiling for the product installation, allowing the extra cord length for the outlet junction box wire connections as noted below.



1. Separate the Mounting Plate (F) from the Canopy (I) by removing the 4 Canopy Screws (J). Do not discard the Canopy Screws (J) as these will be used later.

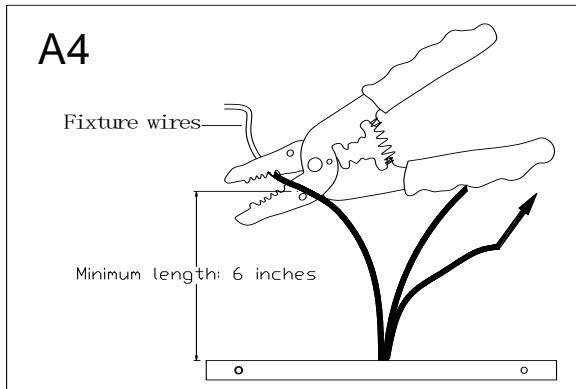


2. Loosen each Allen Screw (L) from each Collar (K) using the Allen Wrench (M) by turning the wrench counter-clockwise. Insert the Power Cord (R) upwards or downwards through the Canopy (I) until a new desired suspension length is determined.



3. Secure the Power Cord (R) in place by turning the Allen Screw (L) clockwise using the Allen Wrench (M) until tight. Do not over tighten the screw, making sure the Power Cord (R) cord will not slip downwards with the pendant body.

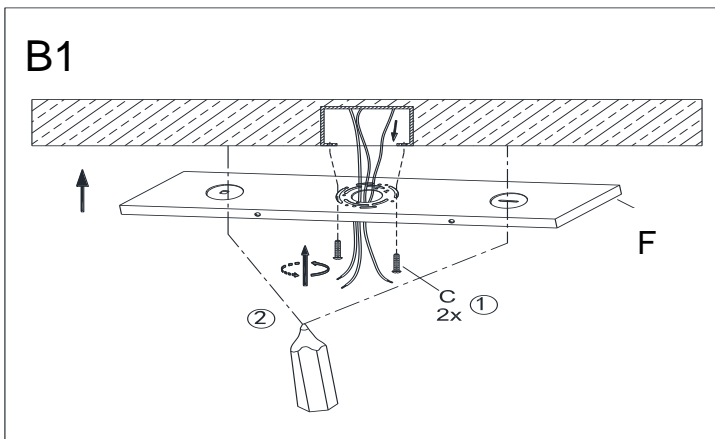
Duo Walled Pendant, 3-Light Assembly Instructions



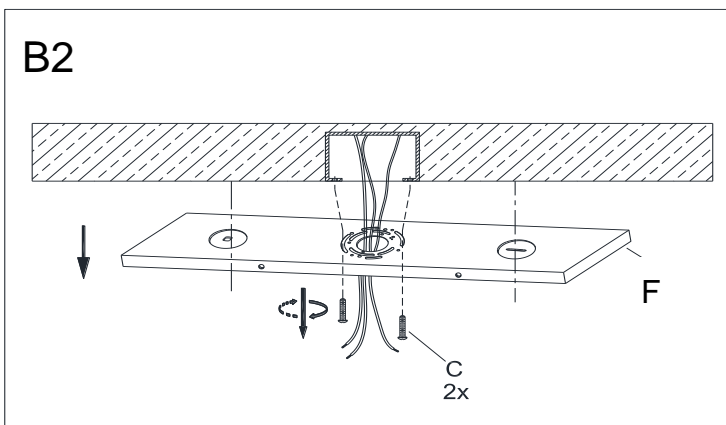
4. If needed, cut off the extra power cord length on the fixture 3 wire cord so that at least 6 inches (152.4 mm) long within the outlet junction box (J-box).

Assembly & Installation Instructions:

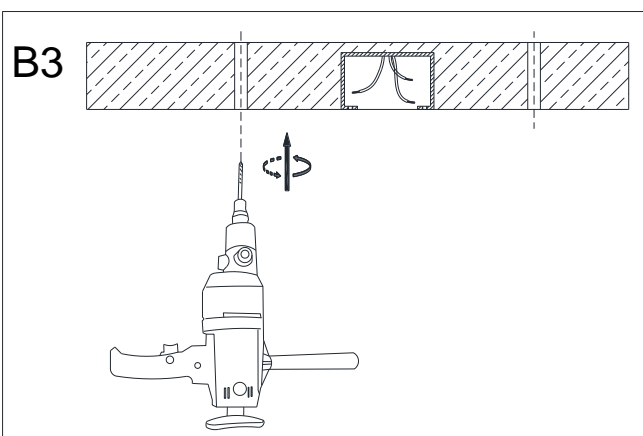
- **SHUT OFF THE MAIN ELECTRICAL SUPPLY FROM THE MAIN FUSE BOX/CIRCUIT BREAKER!**
- Carefully unpack all fixture parts and hardware and lay them on a clear workspace.



1. Determine the desired location of the light fixture and temporarily install the Mounting Plate (F) to the ceiling J-box using the 2 J-box Mounting Screws (C), insert and tighten each screw until the Mounting Plate (F) is firmly secured to the J-Box. Mark the 2 slot locations of the Mounting Plate (F) on the ceiling using a pencil.

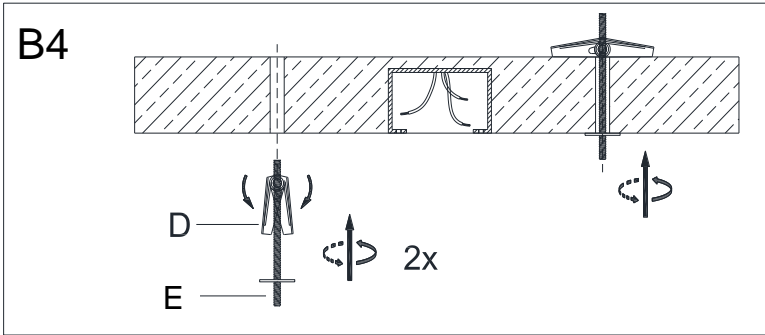


2. Un-install the Mounting Plate (F) from the marked ceiling outlet box location by loosening and removing the 2 J-box Mounting Screws (C) with a screwdriver.

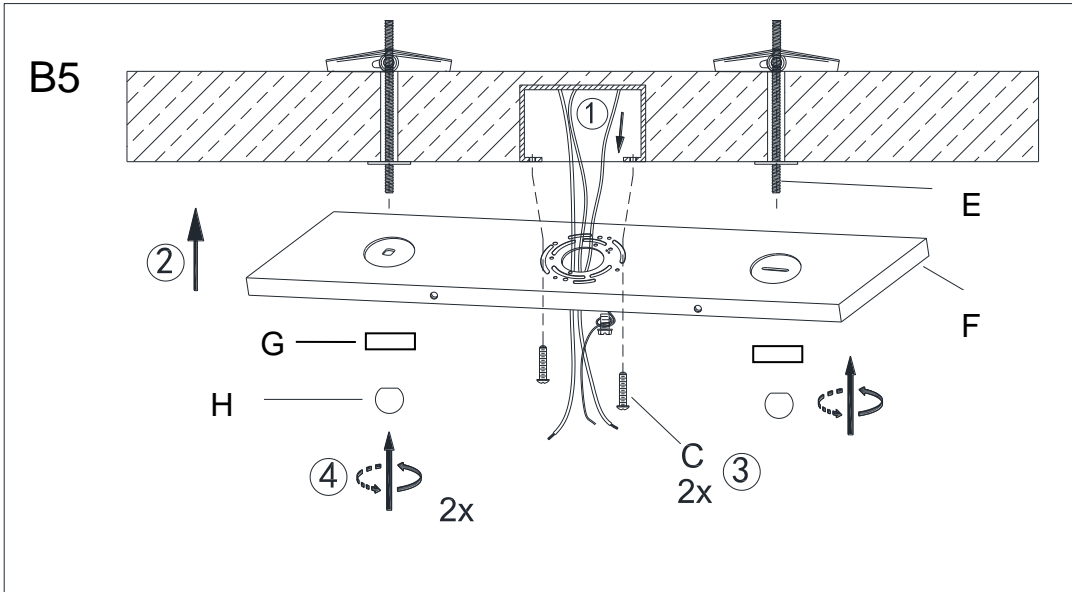


3. Using the drill with the appropriate size drill bit (just large enough to make hole that will allow passage of the folded Toggle Wings (D) of the Toggle Bolts (E)), drill 1 hole in the ceiling at each of the 2 marked slot locations for the toggle bolt assemblies.

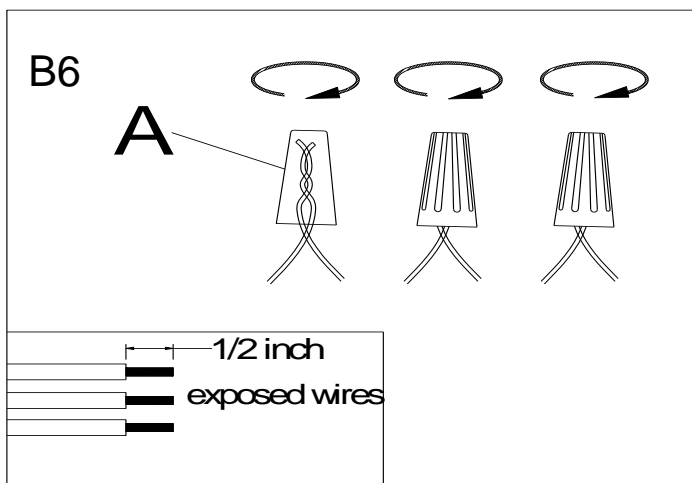
Duo Walled Pendant, 3-Light Assembly Instructions



4. Use the assembled Toggle Bolts and Toggle Wings (D&E), inserted through each of the 2 ceiling holes, making sure only the Toggle Wings (D) are fully inserted into the ceiling and Toggle Wings (D) are open. Rotate each Toggle Bolt (E) clockwise until each flat washer on the Toggle Bolt (E) is tight against the ceiling.

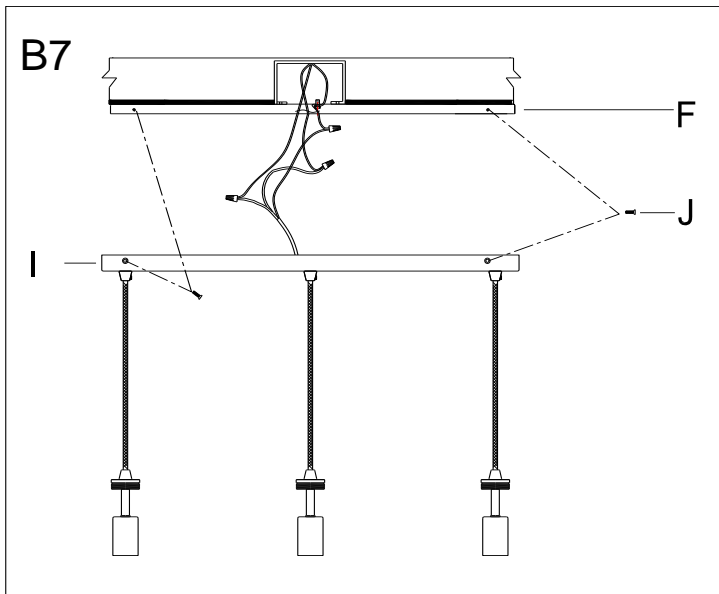


5. Gently pull the existing wire down from the ceiling junction box and allow wires to hang through the center opening of Mounting Plate (F). Attach the Mounting Plate (F) to the ceiling outlet box, making sure that the threaded portions of each Toggle Bolts (E) extend down through the holes on the Mounting Plate (F). Secure the Mounting Plate (F) using 2 Mounting Screws (C). Tighten each screw with a screwdriver. Position 2 Flat Washers(G) first then the Toggle Nuts (H) onto the exposed threaded portions of each Toggle Bolts (E), then tighten each nut clockwise until tight.

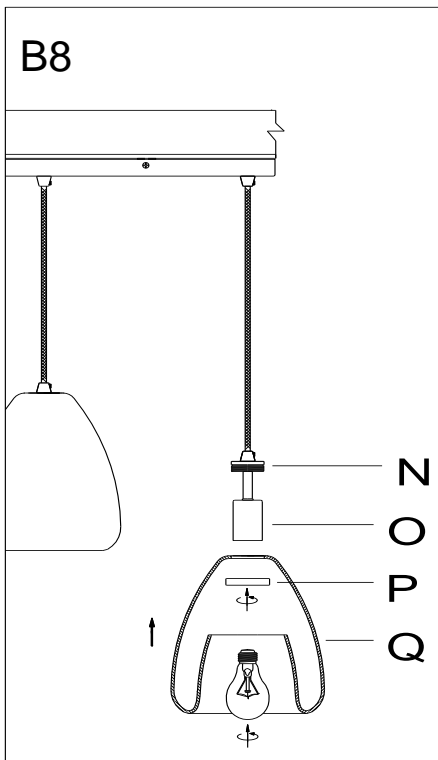


6. Please read the section "To Make the Wire Connections" Below.

Duo Walled Pendant, 3-Light Assembly Instructions



7. With the help of another person to hold the weight of the lighting fixture, raise the Canopy (I) up over the Mounting Plate (F), aligning the 4 holes from the Mounting Plate (F) with the 4 holes on the side of the Canopy (I). Insert the 4 Canopy Screws (C) and tighten each using a screwdriver until tight.



8. Unscrew the Socket Rings (P) from the Socket Assemblies (N), Place the Glass Shades (Q) over the Socket Assemblies (N) and secure each shade in place by turning the Socket Rings (P) onto the Socket Assemblies (N) clockwise until tight. Do not over tighten. Insert the specified light bulbs into the Sockets (O). DO NOT EXCEED THE SPECIFIED WATTAGE.

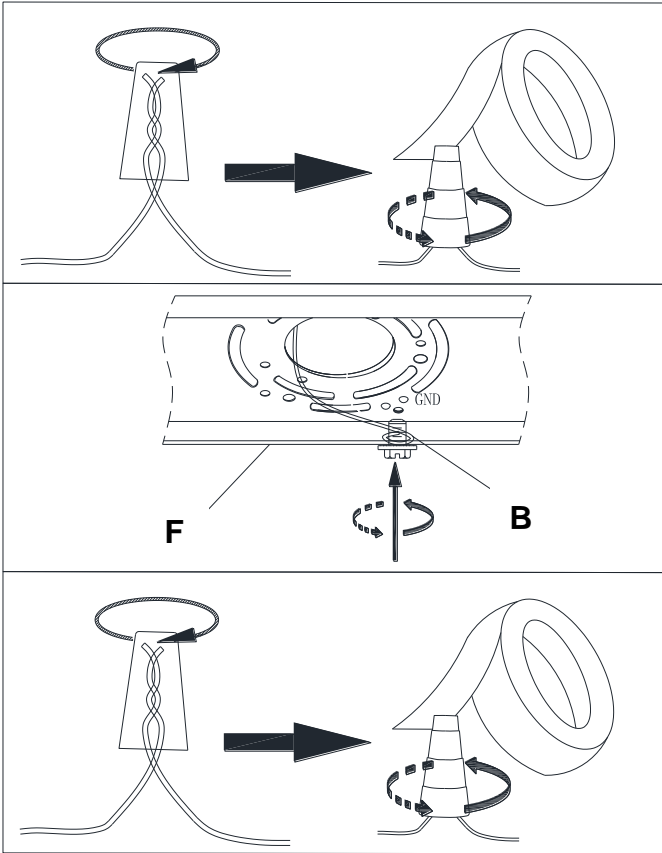
Note: Be careful that the Glass Shades (Q) will not contact with each other and result in breakage.

To Make the Wire Connections:

1. Gently pull the wiring down from the ceiling junction box and allow wires to hang. The HOT or LIVE wire is usually black. The NEUTRAL wire is usually white. Check to see if there is a ground wire that is usually green or green with a yellow stripe or exposed copper metal wire. If needed, use a pair of wire strippers to remove about 1/2 inch of insulation from each wire.
2. Carefully inspect the pendant's fixture wires. The NEUTRAL FIXTURE WIRE is White. The HOT FIXTURE WIRE is Black. And the GROUND WIRE is Green. If you have any doubt and cannot identify the power-supply wires with confidence, then we recommend that you ask an electrician and that you not continue with the installation.

Duo Walled Pendant, 3-Light Assembly Instructions

3. With the help of another person to hold the weight of the fixture, attach the fixture wires to the junction box wires as shown in the illustrations.



Connect the GROUND FIXTURE WIRE to the GROUND J-BOX WIRE using the Plastic Wire Nut Connector (A) and wrap the connection with electrical tape. Be sure that no wire strands are exposed.

If the junction box DOES NOT have a GROUND WIRE, wrap the fixture's bare ground wire around the Green Ground Screw (B) and insert the screw into the Mounting Plate (F), marked as "GND", and tighten screw to secure the wire.

Connect the NEUTRAL FIXTURE WIRE to the NEUTRAL J-BOX WIRE first and then connect the HOT FIXTURE WIRE to the HOT J-BOX WIRE using the Plastic Wire Nut Connectors (A). Wrap these connections with electrical tape. Be sure that no wire strands are exposed.

NOTE:

**IT IS IMPERATIVE THAT THE JUNCTION BOX IN YOUR HOME BE PROPERLY GROUNDED!
DO NOT REVERSE THE HOT AND NEUTRAL CONNECTIONS OR SAFETY WILL BE COMPROMISED.**

NOTE:

**IT IS IMPERATIVE THAT THE JUNCTION BOX IN YOUR HOME BE PROPERLY GROUNDED!
DO NOT REVERSE THE HOT AND NEUTRAL CONNECTIONS OR SAFETY WILL BE COMPROMISED.**

Thank you for your purchase

Stores | catalog | www.westelm.com

USA 888-922-4119