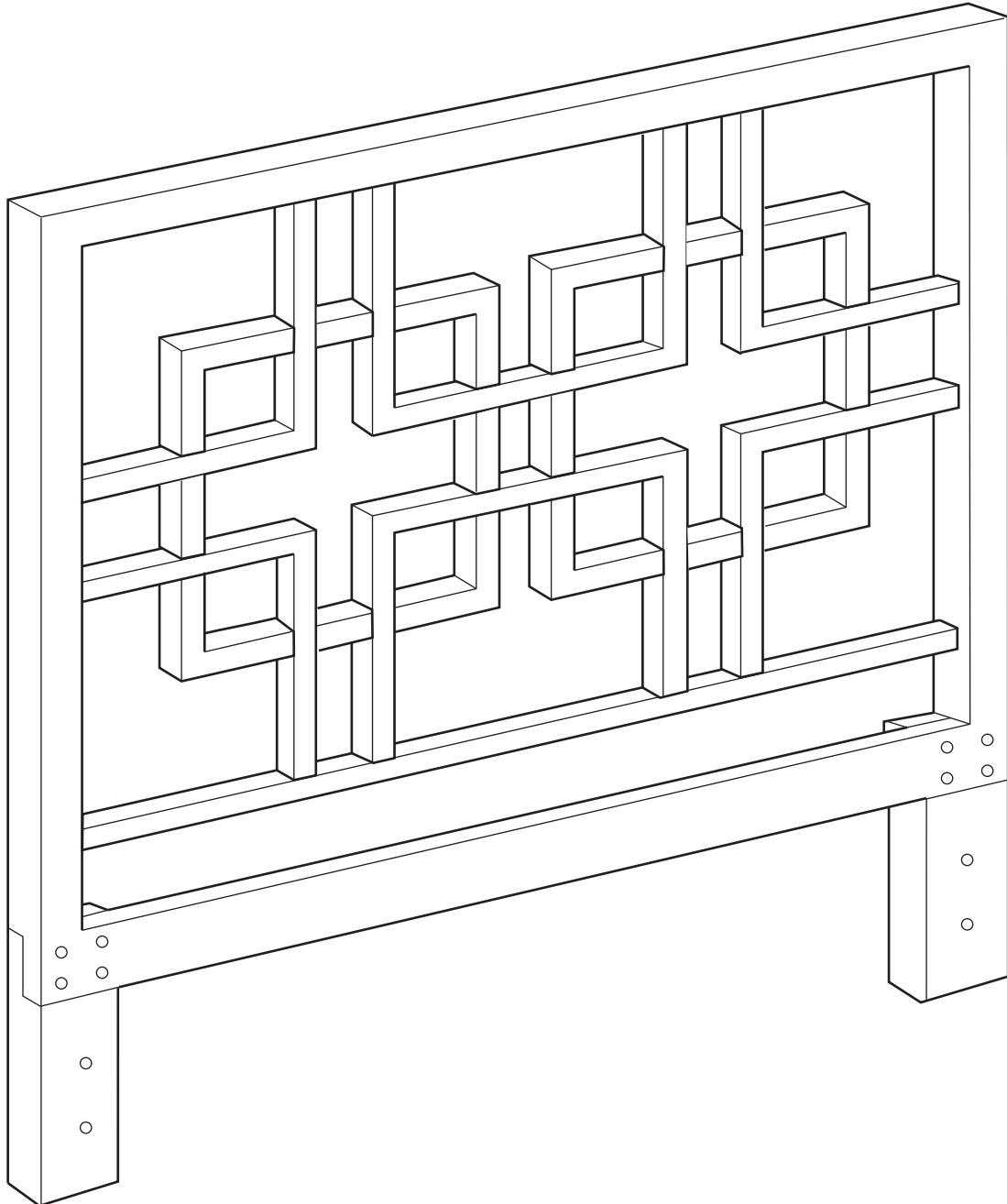


# west elm: overlapping squares headboard

assembly instructions



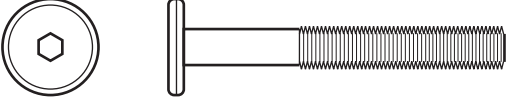


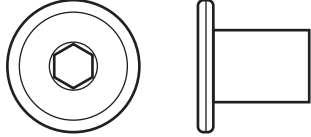

! Do not throw away packaging materials until assembly is complete.

! Assemble this item on a soft surface, such as cardboard or carpet, to protect the finish.

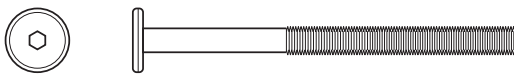
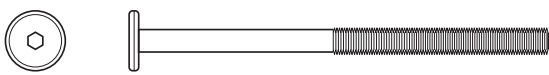


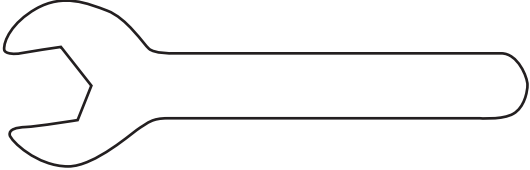

# west elm: overlapping squares headboard

## assembly instructions

For assembly of headboard:

<p>A</p>  <p>bolt: 6mm dia x 40mm long 8x</p>	<p>B</p>  <p>lock washer 8x</p>
<p>C</p>  <p>metal washer 8x</p>	<p>D</p>  <p>cap nut 8x</p>
<p>E</p>  <p>allen key 1x</p>	

For attaching headboard to bedframe

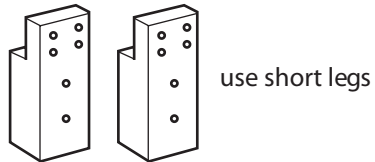
<p>F</p> <p>For use attaching to standard metal bedframes</p>  <p>short bolt: 6mm dia x 70mm 4x</p>	<p>G</p> <p>For use attaching to wooden bedframes.</p>  <p>long bolt: 6mm dia x 90mm 4x</p>
<p>H</p>  <p>metal washer 8x</p>	<p>I</p>  <p>nut 4x</p>
<p>J</p>  <p>wrench 1x</p>	<p>K</p>  <p>allen key 1x</p>

# west elm: overlapping squares headboard

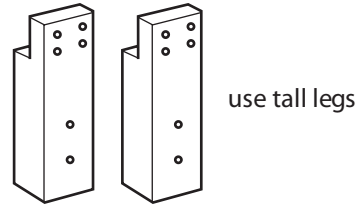
## assembly instructions

1. Choose the legs to match your bedframe.

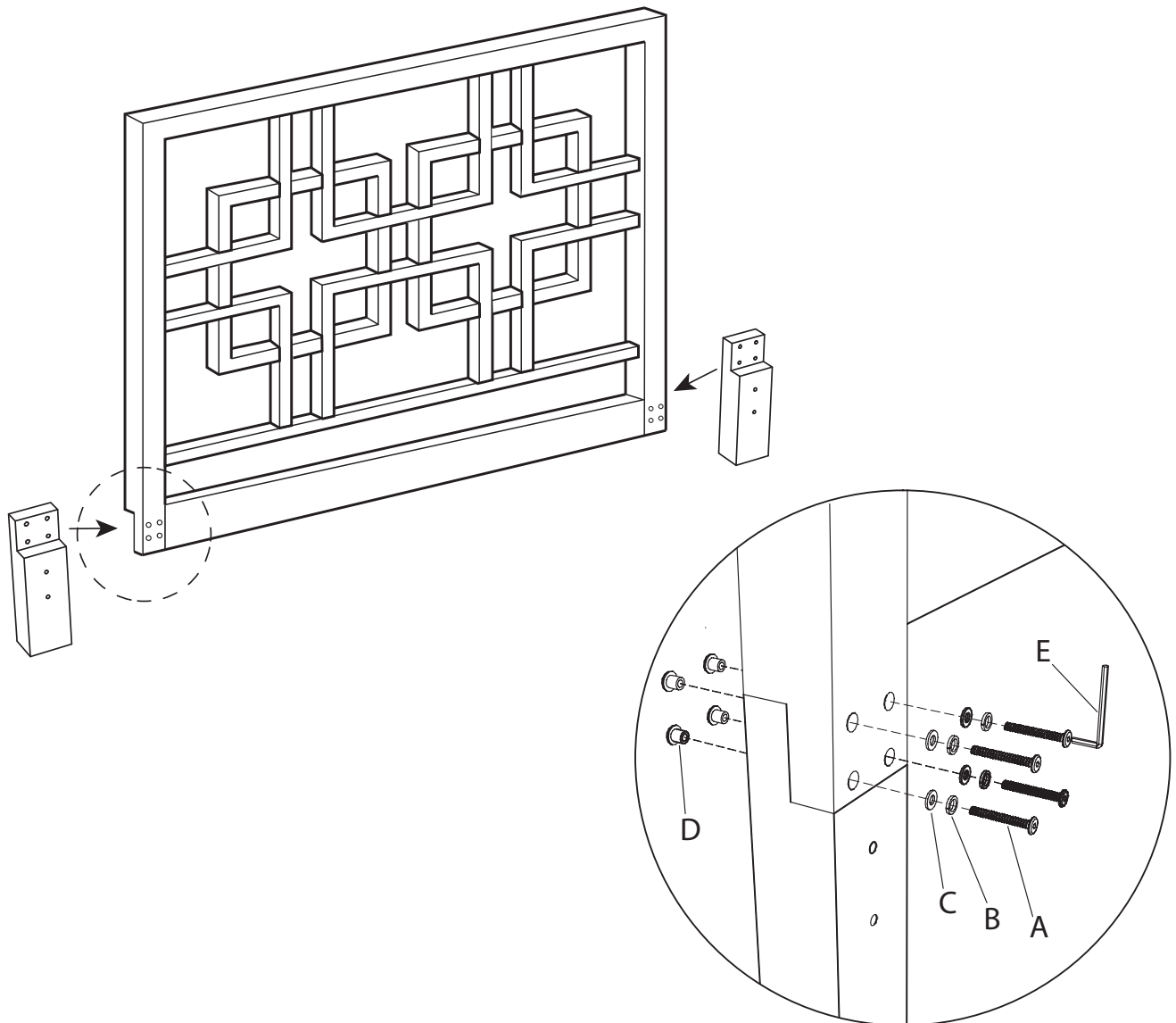
For bedframe with mattress only:



For bedframe with boxspring and mattress:



2. Fasten legs to headboard using screws (A), lock washers (B), flat washers (C), and nuts (D) in order as shown. Tighten screws with allen key (E).

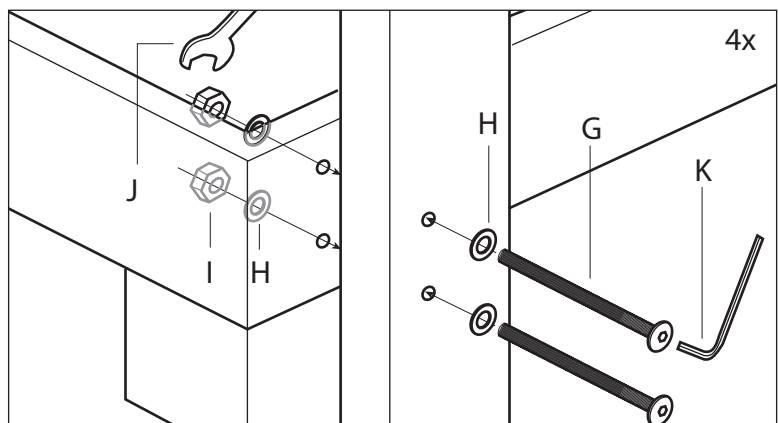
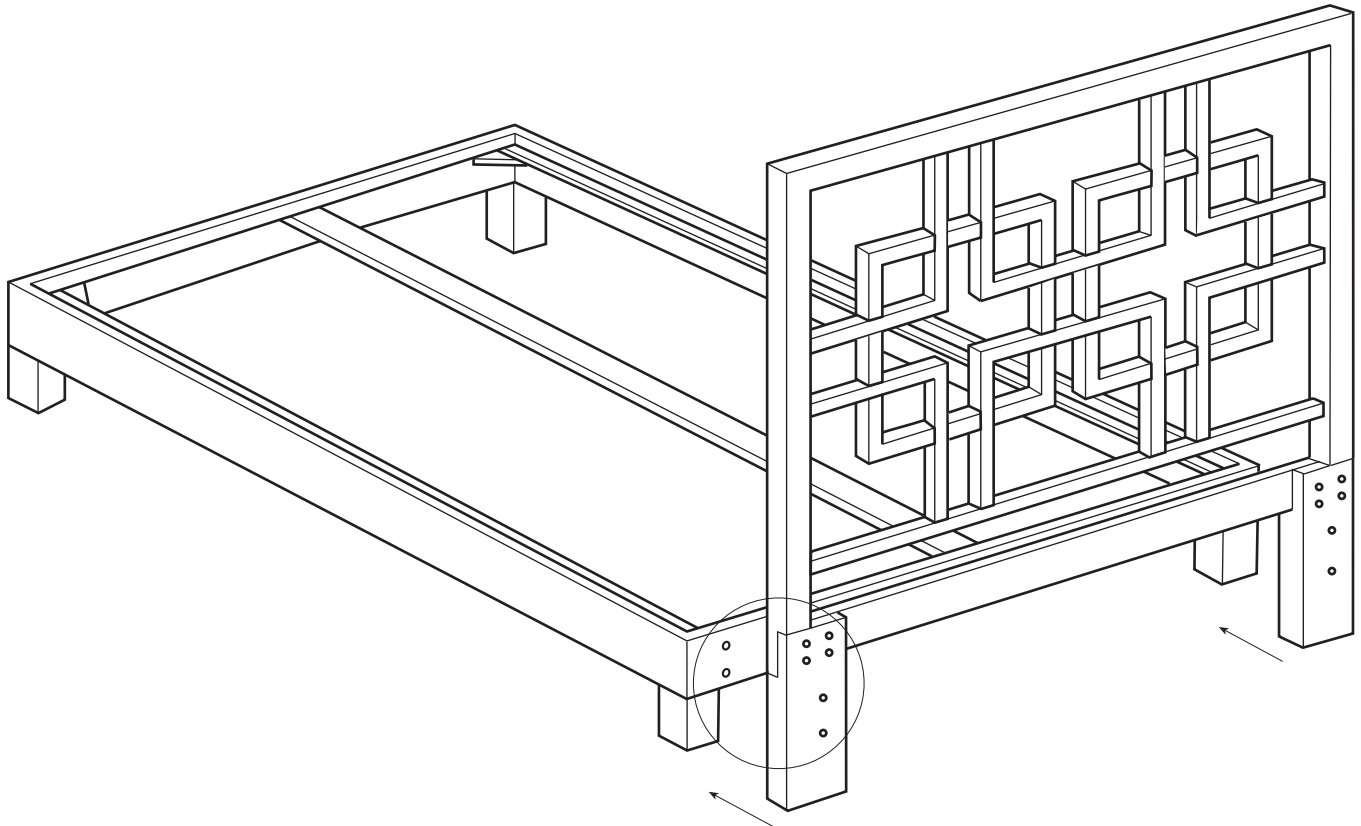


# west elm: overlapping squares headboard

## assembly instructions

Attaching the headboard to wood bed frame:

1. Align hardware as shown and tighten.

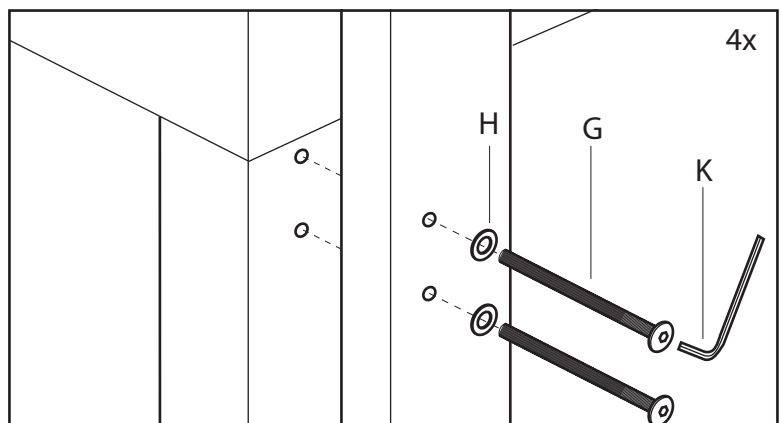
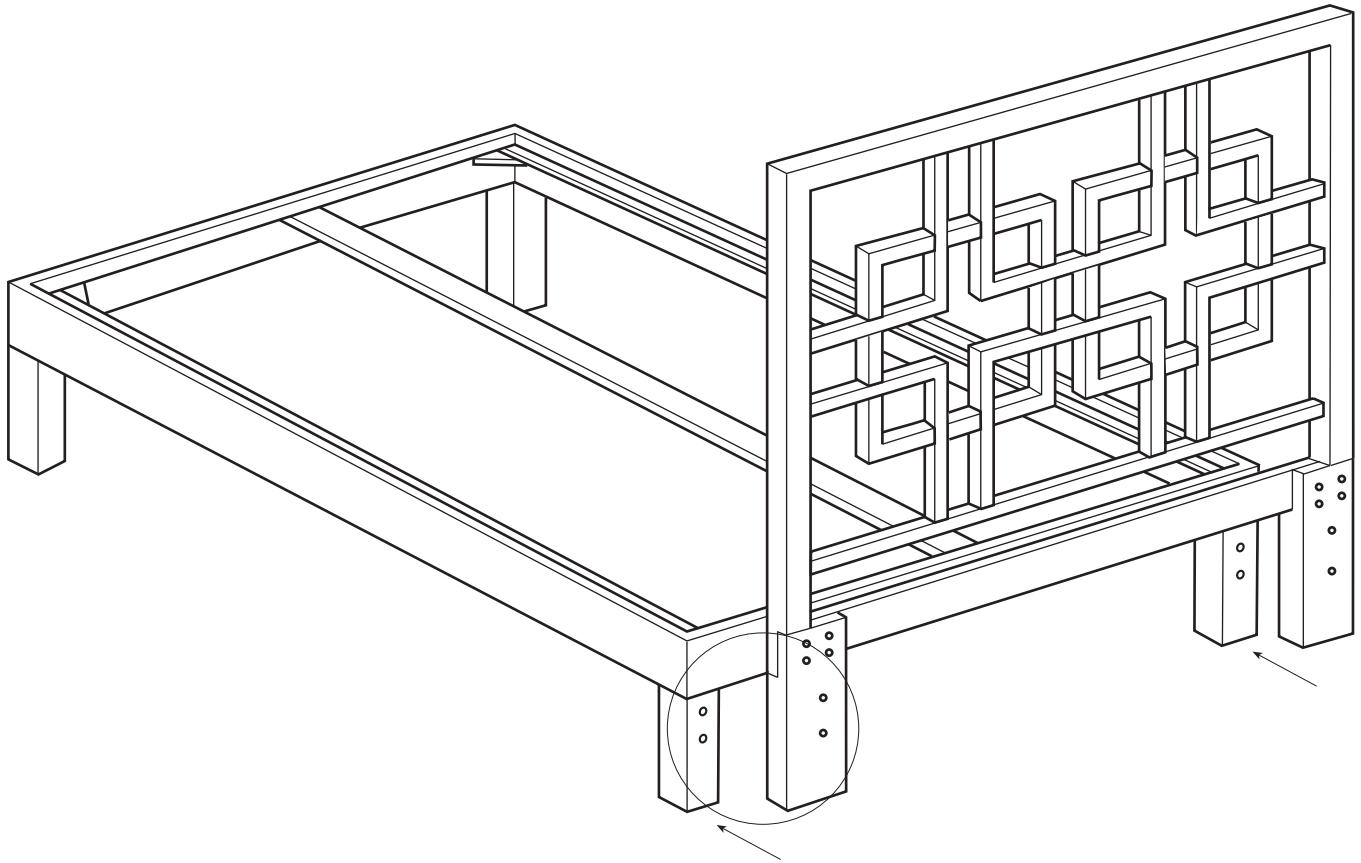


# west elm: overlapping squares headboard

## assembly instructions

Attaching the headboard to wood bed frame:

1. Align hardware as shown and tighten.

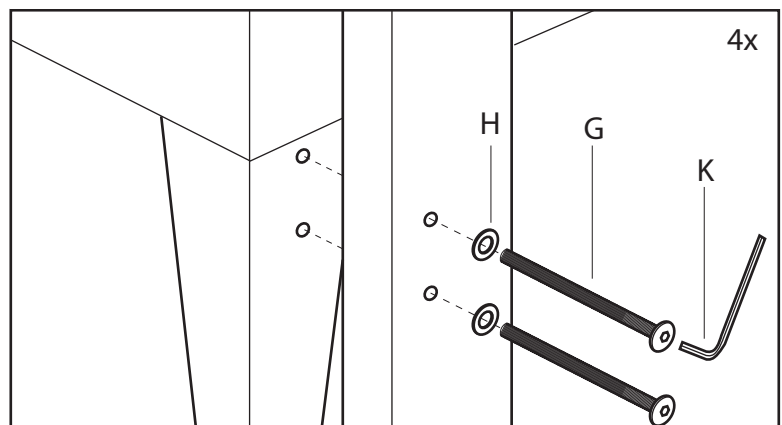
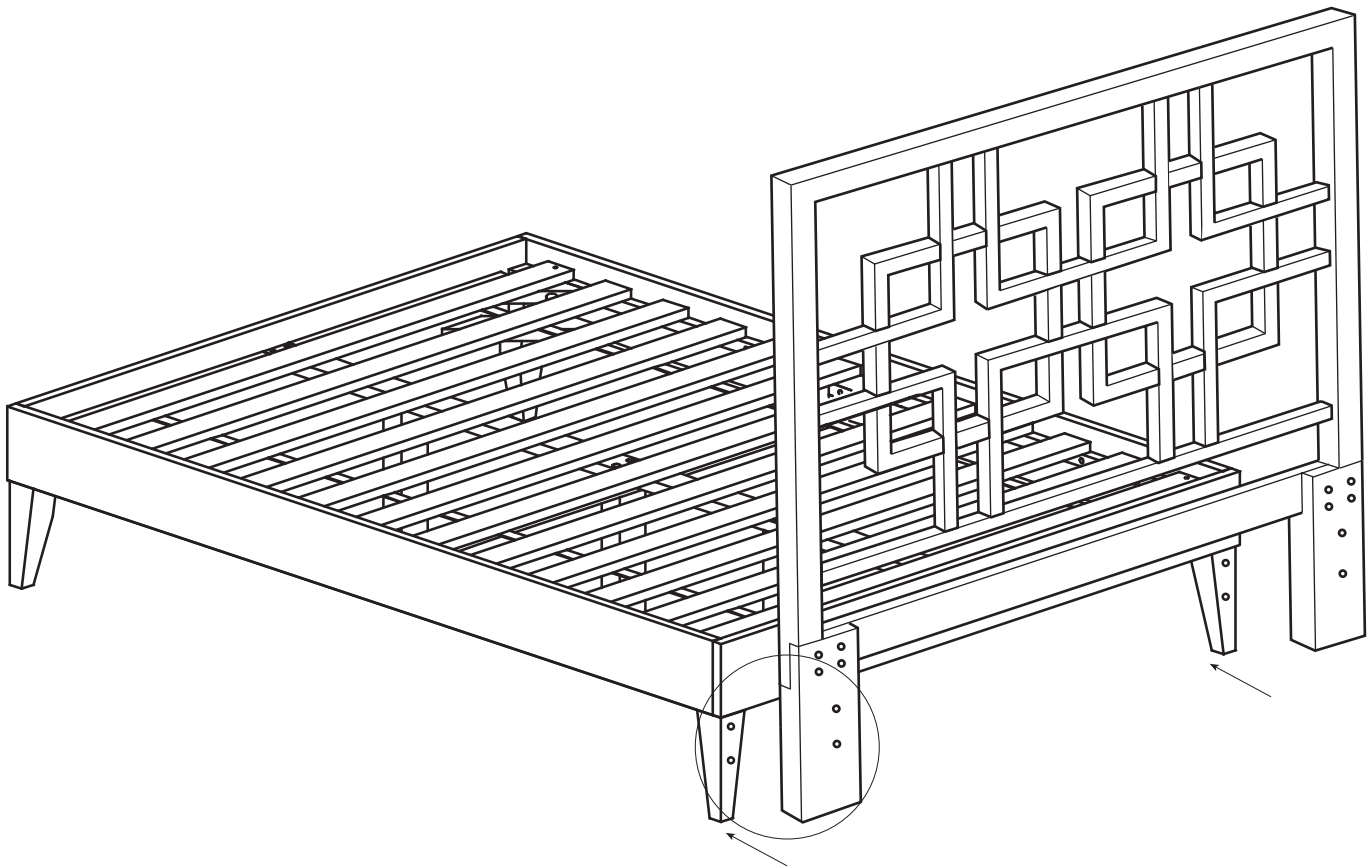


# west elm: overlapping squares headboard

## assembly instructions

Attaching the headboard to wood bed frame:

1. Align hardware as shown and tighten.



# west elm overlapping squares headboard

## assembly instructions

Attaching the headboard to bedframe for boxspring and mattress:

1. Align hardware as shown and tighten.

