

Important Safety Instructions:

- These instructions are provided for your safety. It is important that they are read carefully and completely before installing the sconce.
- **We strongly recommend that a professional electrician install all direct wire fixtures.**
- This fixture has been rated for up to (1) **60-watt TYPE B standard bulbs** (not included). To avoid the risk of fire, do not exceed the recommended wattage.

Pre-assembly:

- Remove all parts and hardware from box along with any plastic protective packaging. Do not discard any contents until after assembly is complete to avoid accidentally discarding small parts or hardware.
- For your safety and convenience, assembly by two people is recommended.

Parts Enclosed:

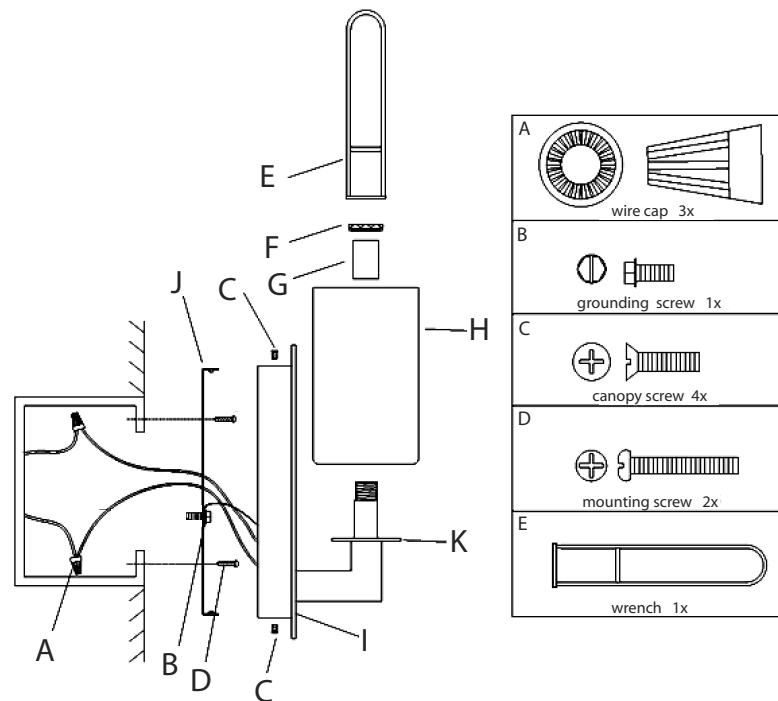
- (1) Mounting plate (J)
- (1) Canopy (I)
- (1) Socket Ring (F)
- (1) Metal Tube (G)
- (1) Metal plate (K)
- (1) Glass Shade (H)

Hardware Included:

- Mounting screws (D)
- Green ground screw (B)
- Plastic wire connectors(A)
- Canopy screws (C)
- Wrench (E)

To install you will need:

- Electrical tape
- Screwdriver

**To Assemble:**

1. **SHUT OFF THE MAIN ELECTRICAL SUPPLY FROM THE MAIN FUSE BOX/CIRCUIT BREAKER.**
2. Carefully unpack all fixture parts and hardware and lay out on a clear workspace.
3. Carefully inspect the fixture wires. The **NEUTRAL FIXTURE WIRE** is white. The **HOT FIXTURE WIRE** is black. The bare wire is the **GROUND WIRE**.
4. Attach the **GROUND WIRE** from the fixture to the **GROUND JUNCTION BOX WIRE** from the outlet (usually green or bare wire). Fasten each together with a plastic wire connector (A) and wrap the connection with electrical tape. Be sure that no wire strands are exposed. If your outlet box **DOES NOT** have a **GROUND WIRE**, be sure to insert the green ground screw (B) into the mounting plate (J) as shown, and wrap the fixture's bare ground wire around the ground screw. **IT IS IMPERATIVE THAT THE OUTLET BOX IN YOUR HOME BE PROPERLY GROUNDED.**
5. Connect the **NEUTRAL FIXTURE WIRE** to the **NEUTRAL JUNCTION BOX WIRE** (white). Fasten each together with a plastic wire connector (A) and wrap the connection with electrical tape. Be sure no wire strands are exposed.

6. Connect the HOT FIXTURE WIRE to the HOT JUNCTION BOX WIRE (black). Fasten each together with a plastic wire connector (A) and wrap the connection with electrical tape. Be sure no wire strands are exposed. DO NOT REVERSE THE HOT AND NEUTRAL CONNECTIONS OR SAFETY WILL BE COMPROMISED.
7. Gently tuck the wire connections neatly into the ceiling junction box.
8. Attach the mounting plate (J) to the ceiling outlet box using the enclosed mounting screws (C). Tighten the screws with a screwdriver.
9. Pull canopy (I) up over the mounting plate (J), align the hole in the mounting plate with the hole in the canopy.
10. Insert the canopy screw (C) and tighten with a screwdriver.
11. Unscrew socket ring (F) from the socket.
12. Place the glass shade (H) on Metal plate (K).
13. Place the metal tube (G) onto the socket.
14. Screw on the socket ring (F) and tighten with wrench (E).

Completing the Assembly:

1. Insert (1) 60-watt Type B bulbs (not included) into the socket. DO NOT EXCEED SPECIFIED WATTAGE.
2. Restore power to junction box and test fixture.

Care Instructions:

- Wipe clean using a soft, dry cloth or static duster.
- Always avoid the use of harsh chemicals and abrasives to clean fixture as they may damage the finish.