

## Fabric Geo Shade Pendant - Small (Plug-in) Assembly Instructions

### CAUTION:

- **Do not install into a ceiling that contains radiant heating.**

### Important Safety Instructions:

- These instructions are provided for your safety. It is very important that they are read carefully and completely before beginning the assembly and installation of this lighting fixture.
- The Toggle Hooks (B) are meant for drywall mounting only. Screw Hooks (A) are meant for direct wood or ceiling-joint mounting (or through drywall to wood joist) only. If the ceiling is made from concrete, brick or plaster, please consult your local hardware store for assistance.
- We strongly recommend that a professional electrician install all direct wire fixtures.
- Wood ceiling joist mounting is recommended. Use proper hardware for your ceiling type.
- The Toggle Hooks (B) or Screw Hooks (A) is used to engage the Plastic Clips (C) only and not the electric cord.
- For your safe, it is strongly recommended that two people install the lighting fixture.
- The Pendant (Plug-in) lighting fixture is capable of being used as a fixed luminaire (hardwire) when used with the appropriate West Elm conversion kit, professional installation is recommended.
- Light bulb should be centred inside the pendant shade. Making sure it does not touch the shade sides.
- This fixture has been rated for up to one (1) **60-Watt maximum TYPE A standard incandescent light bulb** (not included) or one (1) **13-watt compact fluorescent light bulbs** (not included) or one (1) **9-watt SBLED LAMP** (included). To avoid the risk of fire, do not exceed the recommended lamp wattage.
- **Save these instructions.**

### WARNING:

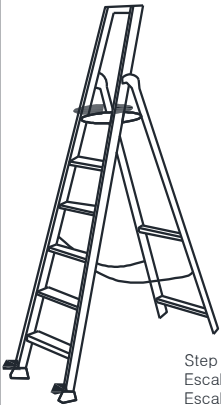
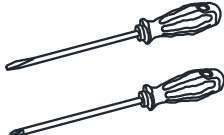

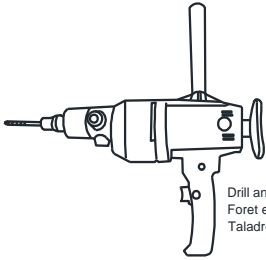



- **To reduce the risk of fire, electrical shock or personal injury, always turn off light fixture and allow it to cool prior to replacing light bulb.**
- **Do not touch bulb when fixture is turned on. Do not look directly at lit bulb.**
- **Keep flammable materials away from lit bulb.**
- **Do not install into a ceiling that contains radiant heating.**

### Pre-assembly:

- Remove all parts and hardware from box along with any plastic protective packaging.

- Do not discard any contents until after assembly is complete to avoid accidentally discarding small parts or hardware.
- For your safety and convenience, assembly by two people is recommended.

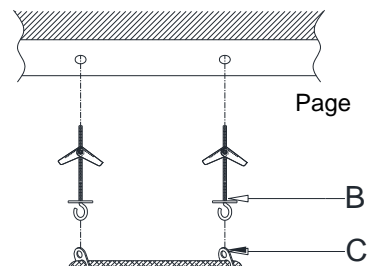
**TOOLS REQUIRED (not included):**

 <p>Step Ladder Escabeau Escalera</p>	 <p>Phillips Head, Flat Blade Screwdrivers Tournevis à tête Phillips et à tête plate Destornilladores Cabeza Phillips y Destornilladores Cabeza Plana</p>		 <p>Electrical tape Ruban isolant Cinta Electrica.</p>	 <p>Drill and Drill Bit Foret et Perceuse électrique Taladro y Mecha</p>
	 <p>Wire Cutter/Stripper Pince coupe-fil / "fil" hud" ! Cortador de Cable</p>	 <p>Pencil Crayon L'piz</p>	 <p>Plier Pince Alicates</p>	

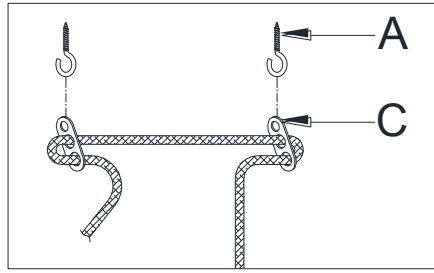
**Parts Included:**

(C) Plastic Clips (2)

US/CN

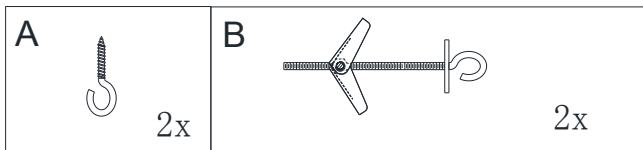


- (D) Socket (1)
- (E) Knurled Nut (1)
- (F) Bulb (1)
- (G) Shade (1)
- (H) Horseshoe Ring (1)
- (I) Power Cord (1)



**Hardware Enclosed:**

- (A) Screw Hooks (2)
- (B) Toggle Hooks (2)

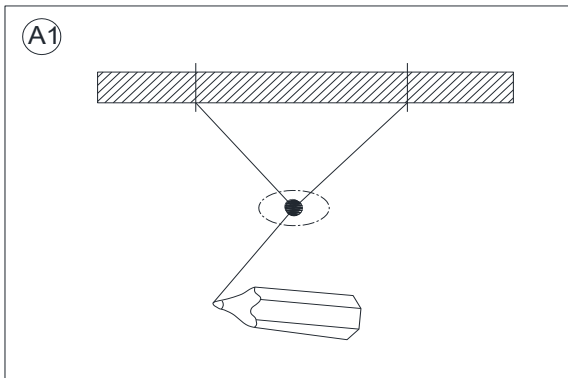


**To assemble:**

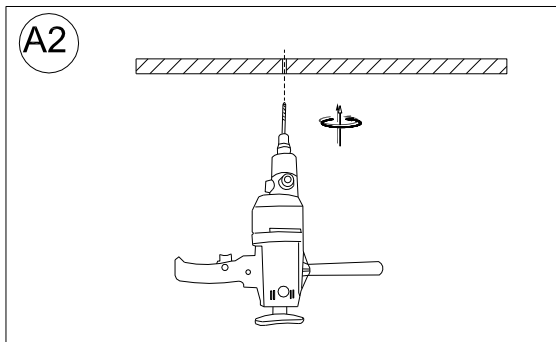
1. The ceiling Toggle Bolt (B) is meant for drywall mounting only.

2. Screw (A) is meant for direct wood or ceiling – joist mounting (or through drywall to wood joist) only.
3. If the ceiling is made from concrete, brick or plaster, please consult your local hardware store for assistance.

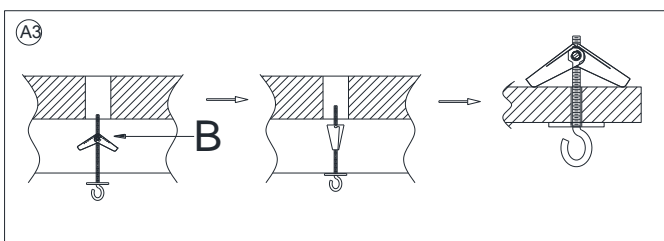
### **For drywall mounting:**



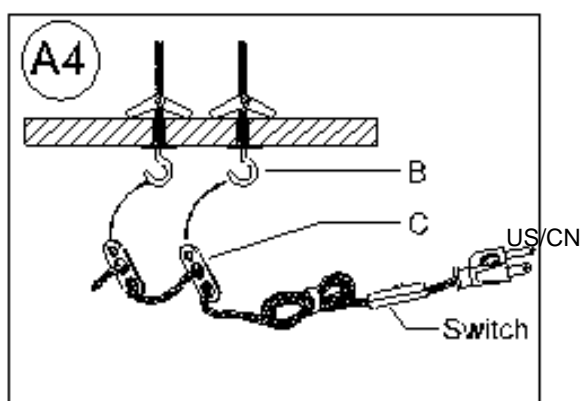
1. Mark the 2 slot locations of Toggle Hooks (B) on ceiling at the desired locations.



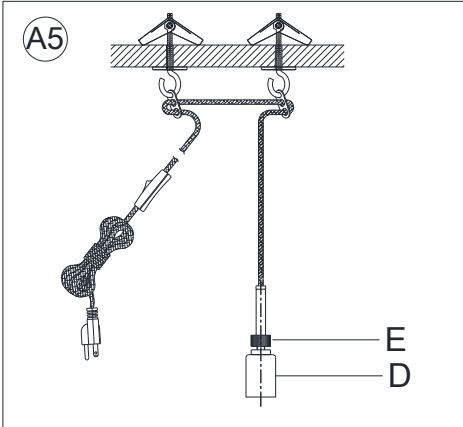
2. Using the drill with the appropriate size drill bit (just large enough to make hole that will allow passage of the folded Toggle Hooks (B)), drill 1 hole in the ceiling at each of the 2 marked slot locations for the Toggle Hooks (B) assemblies.



3. Use the Toggle Hooks (B), inserted through each of the 2 ceiling holes, making sure only the Toggle Hooks (B) are fully inserted into the ceiling and toggle wings are open. Rotate each Toggle Hook (B) clockwise until each flat washer on the Toggle Hook (B) is tight against the ceiling.

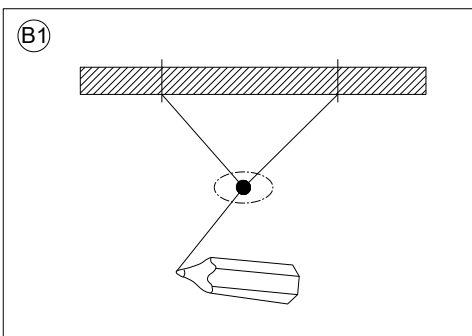


4. Position the Plastic Clips (C) along the cord so that they align with the installed Toggle Hooks (B) on the ceiling and carefully fit each Plastic Clip (C) onto each Toggle Hooks (B).

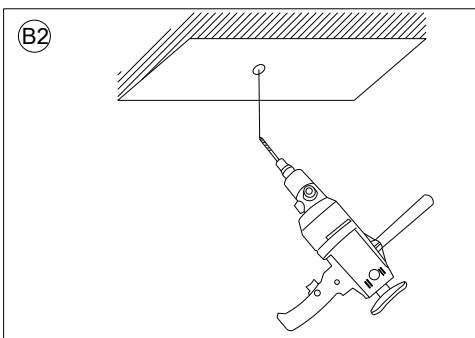


5. Unscrew the Knurled Nut (E) on the Socket (D).

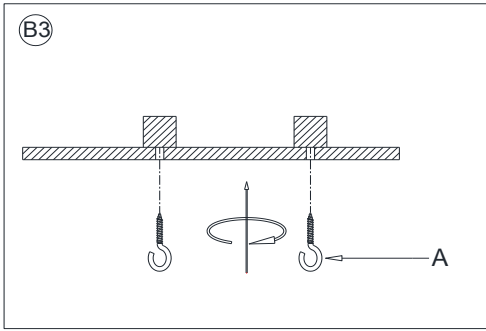
### **For mounting to Joist:**



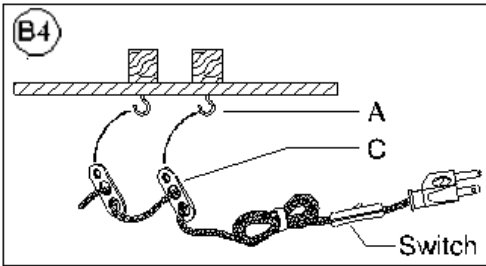
1. If needed, use a “stud finder” (not included) to locate the ceiling wooden joists and mark their locations on the ceiling using a pencil or a piece of tape. Mark the 2 slot locations of Screw Hooks (A) on ceiling joists at the desired locations



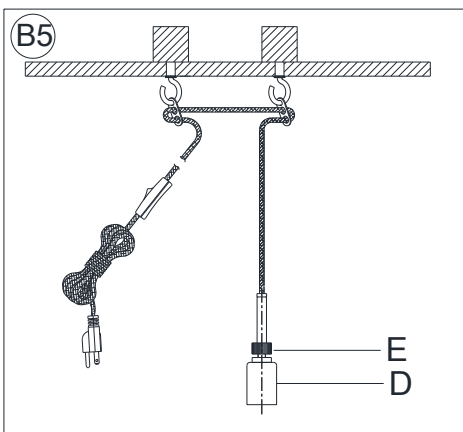
2. Pre-drill pilot holes at the marked locations. This will make installing the Screw Hooks (A) onto the wall easier.



3. Insert Screw Hooks (A) into ceiling joist at the marked locations. Rotate each clockwise while firmly pressing it into the ceiling. Tighten Screw Hooks (A) securely into wood. If installing through drywall to wood joist, the threaded portion of each Screw Hook (A) will drive itself into the drywall and then into the underlying wooden ceiling joist.

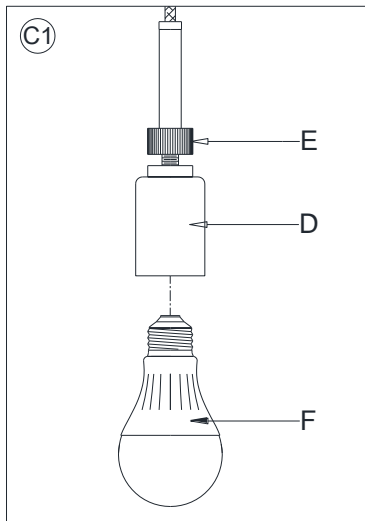


4. Position the Plastic Clips (C) along the cord so that they align with the installed Screw Hooks (A) on the ceiling and carefully fit each Plastic Clip (C) onto each Screw Hooks (A).

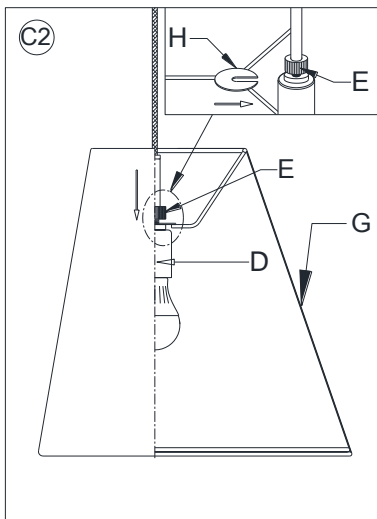


5. Unscrew the Knurled Nut (E) on the Socket (D).

## Install the Light Fixture onto the Ceiling:



1. Insert the specified light bulb (F) into the Sockets (D).  
DO NOT EXCEED THE SPECIFIED WATTAGE.



2. Position the Shade (G) over the Socket (D) by sliding the Horseshoe Ring (H) of Shade (G) onto the top of the Socket (D) as diagram, Secure the shade (G) to the Socket (D) by turning the Knurled Nut (E) by clockwise until tight.

## Care instructions:

- Wipe clean with a soft, dry cloth or static duster.
- Always avoid the use of harsh chemicals or abrasive cleaners as they may cause damage to the fixture's finish.

Thank you for your purchase

Stores | catalog | [www.westelm.com](http://www.westelm.com)

USA 888-922-4119