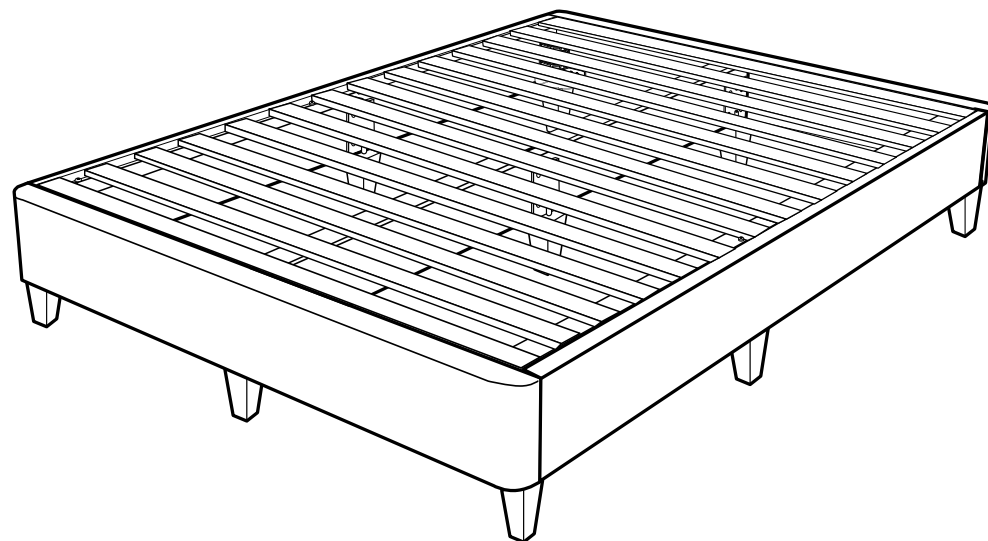
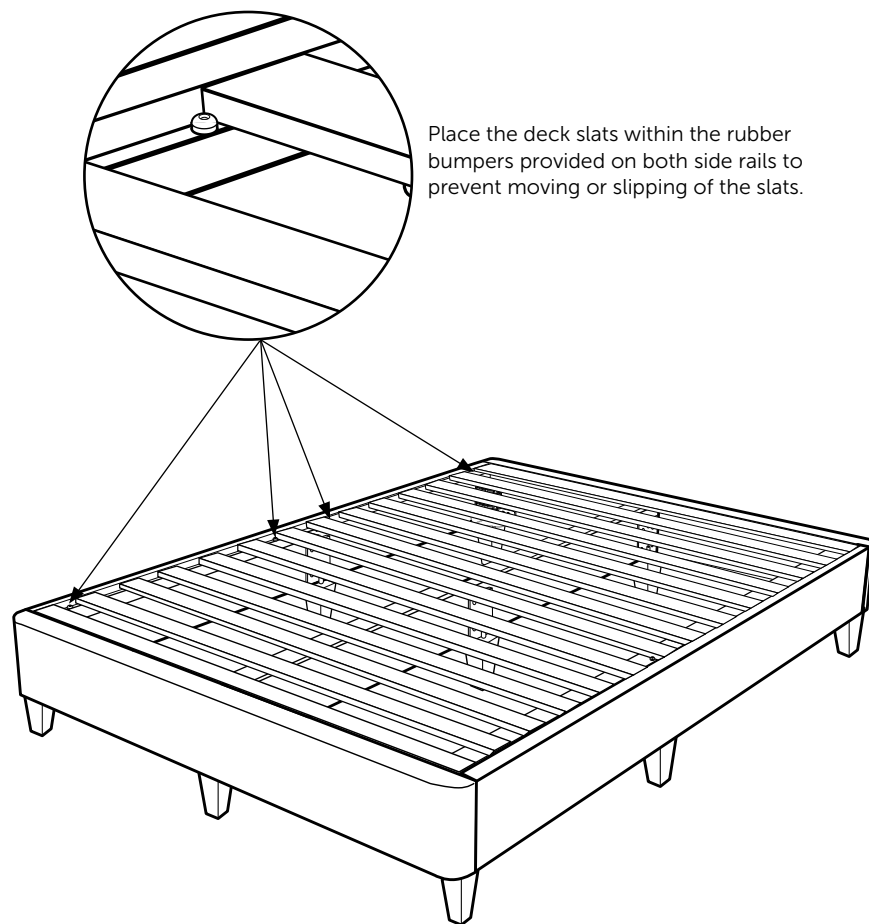


Step 7

leesa[®]



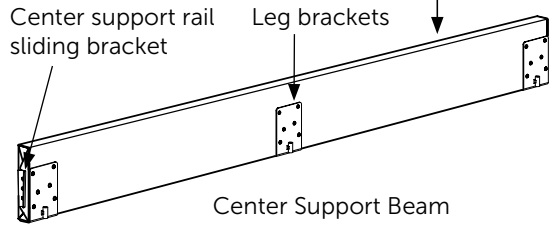
Slats should meet in the middle of the foundation. For sizes King and smaller, the slats should completely cover the surface. For California King foundations, there may be a 2-3 inch gap on either end of the bed. You are now ready to place the mattress on top of the foundation.

Rest with ease knowing we're here if you need us.

Email us at support@leesa.com or call us toll-free 1-844-33-LEESA or live chat with us during the day at [Leesa.com](https://www.leesa.com).

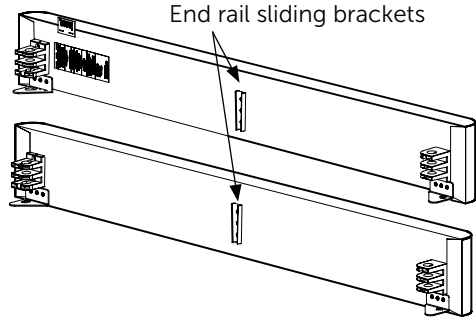
[leesa.com](https://www.leesa.com)

Parts

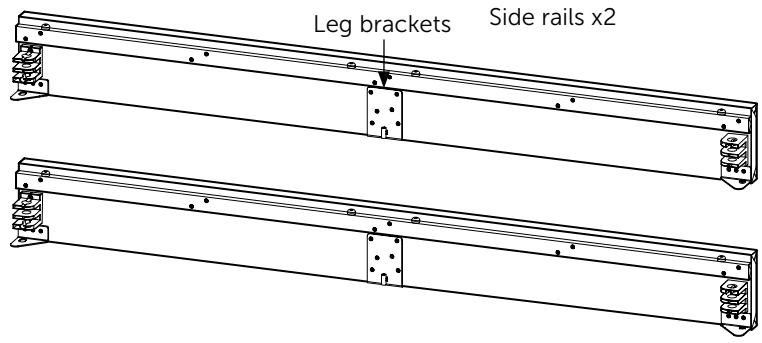


Center Support Beam

Center Support Beam	
Bed Size	Quantity
Twin	0
Twin XL	0
Full	1
Queen	1
King	2
Cal King	2

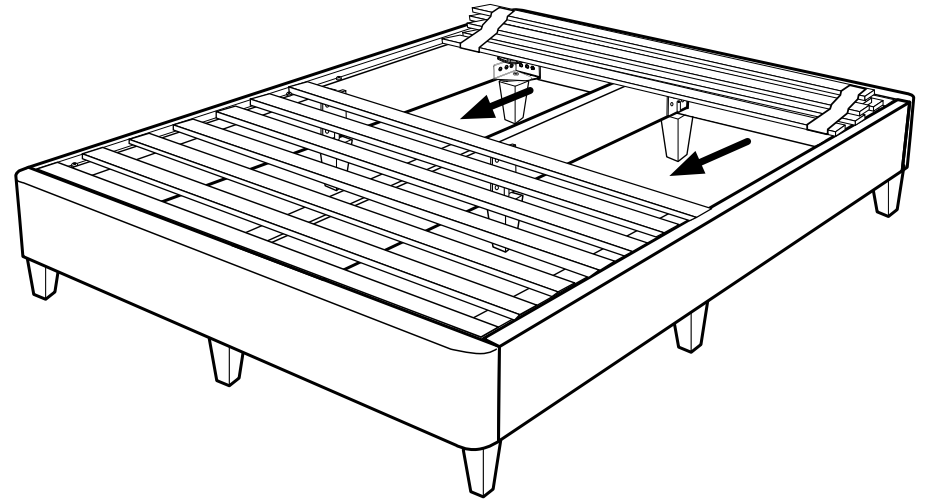
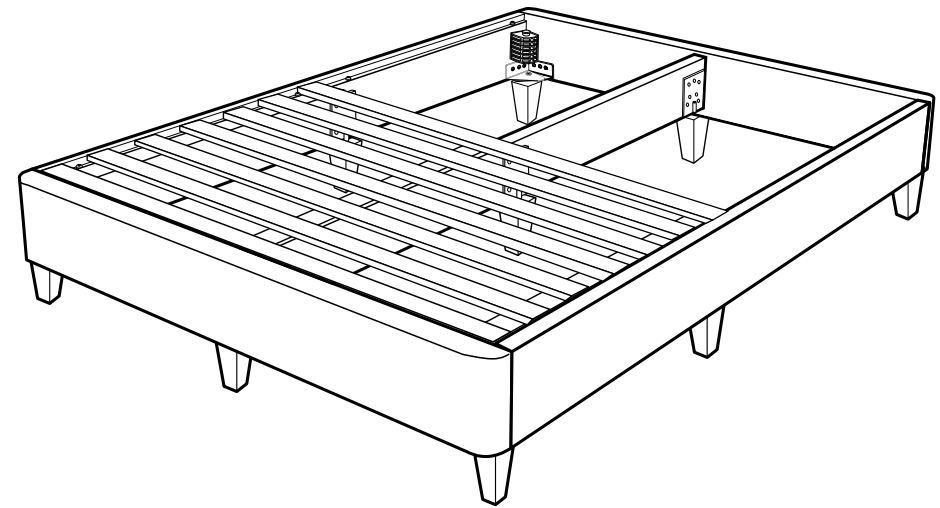


End rails x2



Side rails x2

Step 6

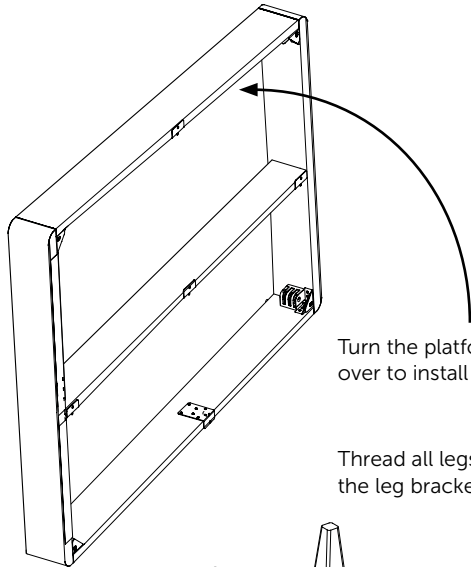


Place slats onto the rail ledge slat supports. Unroll the slats toward the center of the foundation.

Step 5

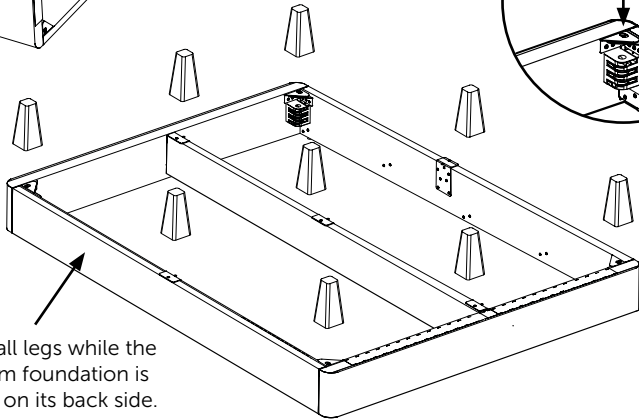
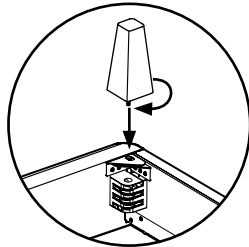


CAUTION
Heavy object.
Two-person
lift required.



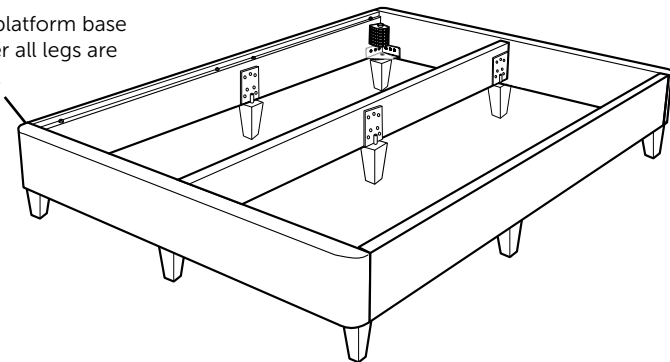
Turn the platform foundation over to install the legs.

Thread all legs into the leg brackets.

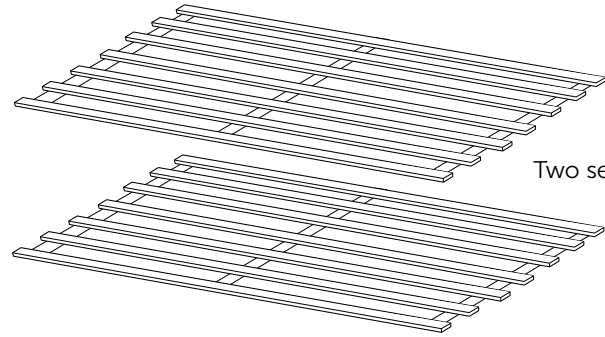


Install all legs while the platform foundation is turned on its back side.

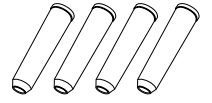
Flip the platform base over after all legs are installed.



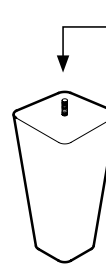
Parts



Two sets of slats x2

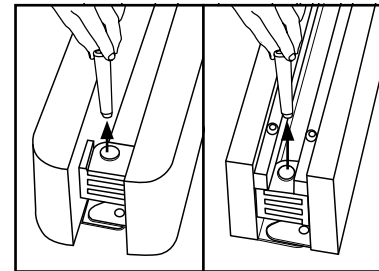


Pegs x4

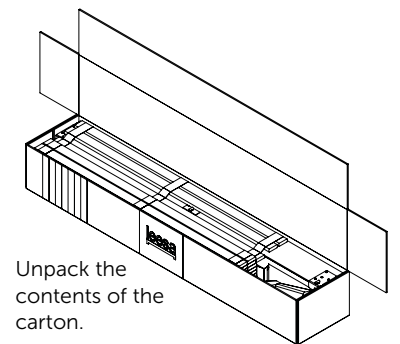


Wood Foundation Legs	
Bed Size	Quantity
Twin	6
Twin XL	6
Full	9
Queen	9
King	12
Cal King	12

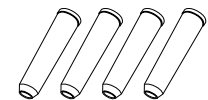
Step 1



In the carton, side and end rails are connected with four pegs. After unpacking, pull the four pegs out of the corner locking blocks. The four pegs will be required in later steps to secure the rail corners.

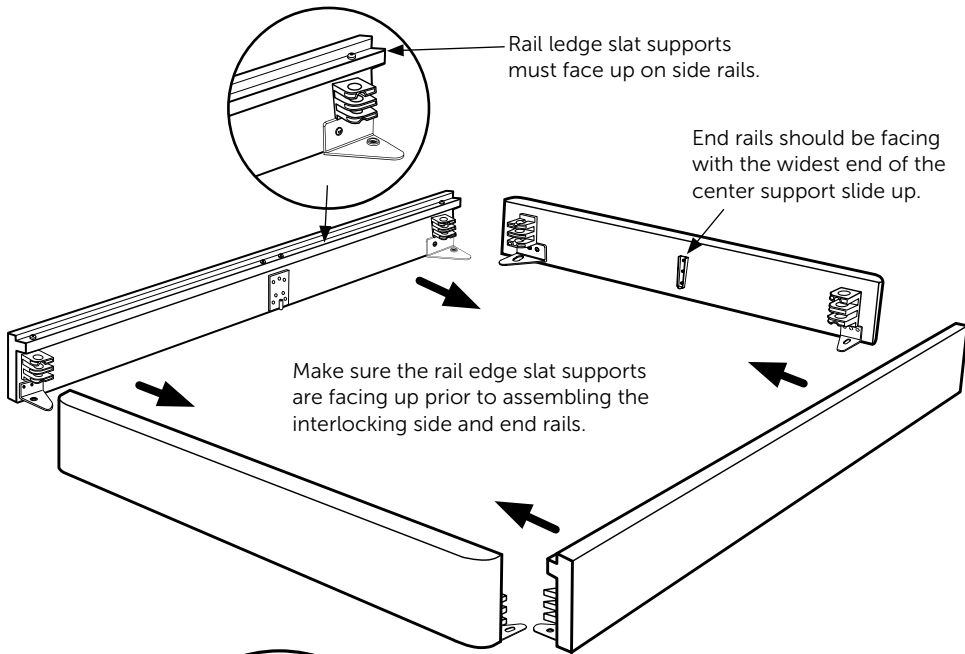


Unpack the contents of the carton.

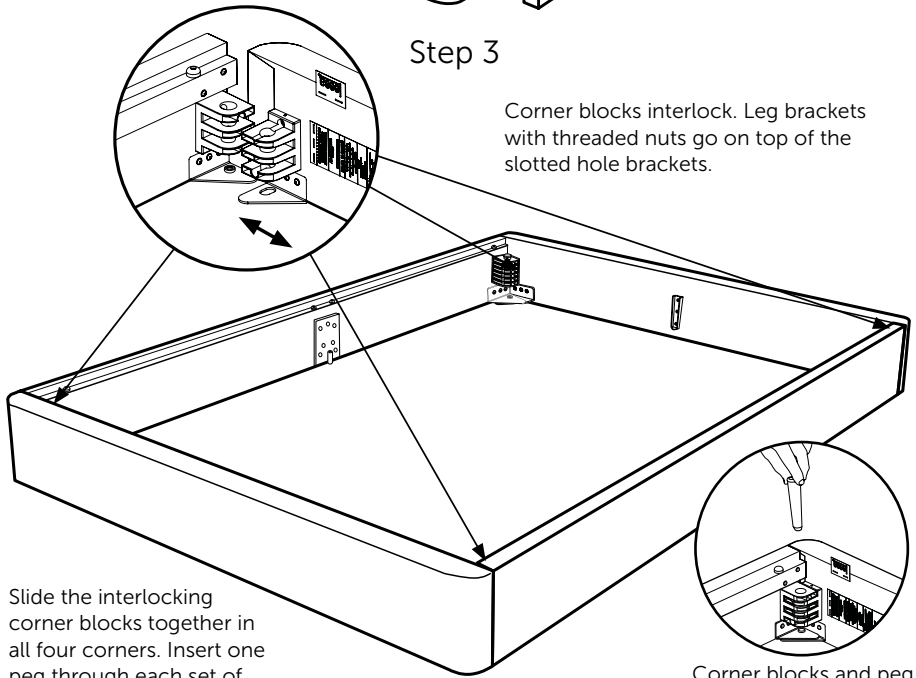


Four Pegs

Step 2

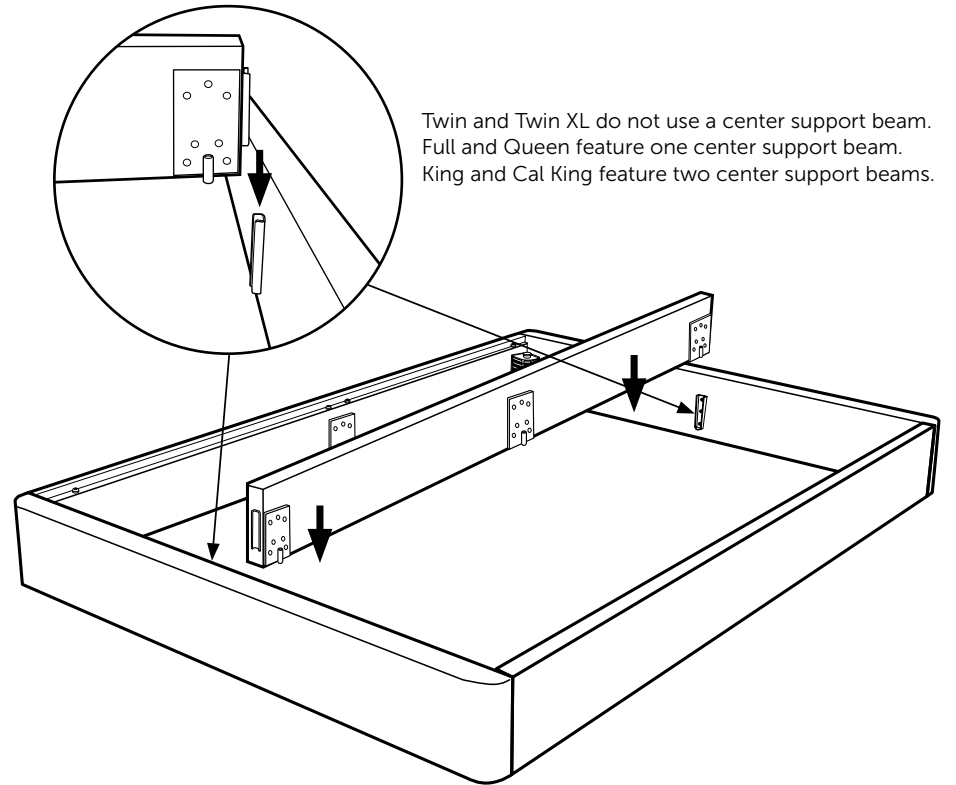


Step 3



Slide the interlocking corner blocks together in all four corners. Insert one peg through each set of corner blocks.

Step 4



For Full, Queen, and King sizes, slide the smaller sliding brackets on each end of the center support rail into the end rail sliding brackets.