

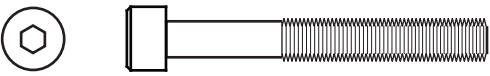
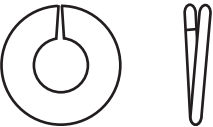
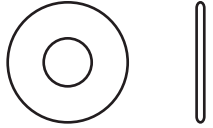
! Tools supplied:

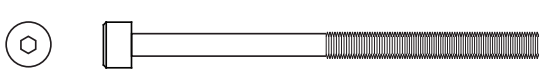
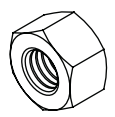
! Do not throw away packaging materials until assembly is complete.

! Assemble this item on a soft surface, such as: cardboard or carpet to protect finish.

! Proper assembly of this item requires 2 people.

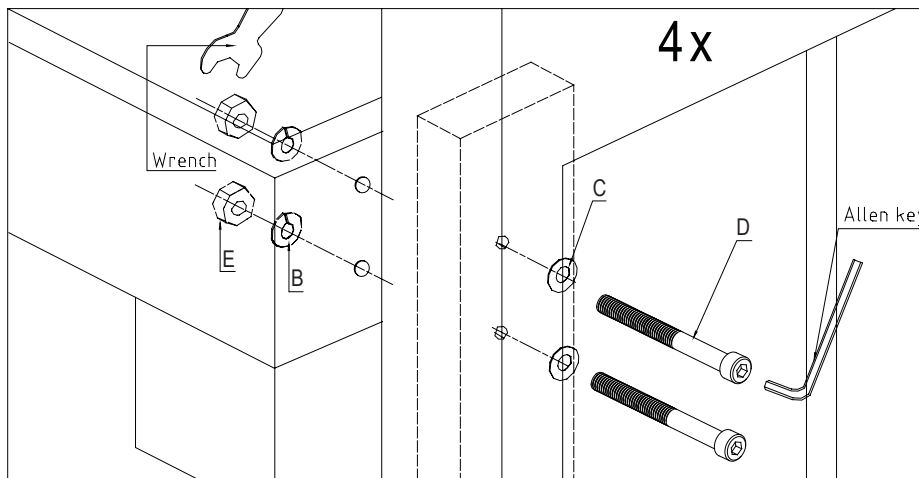
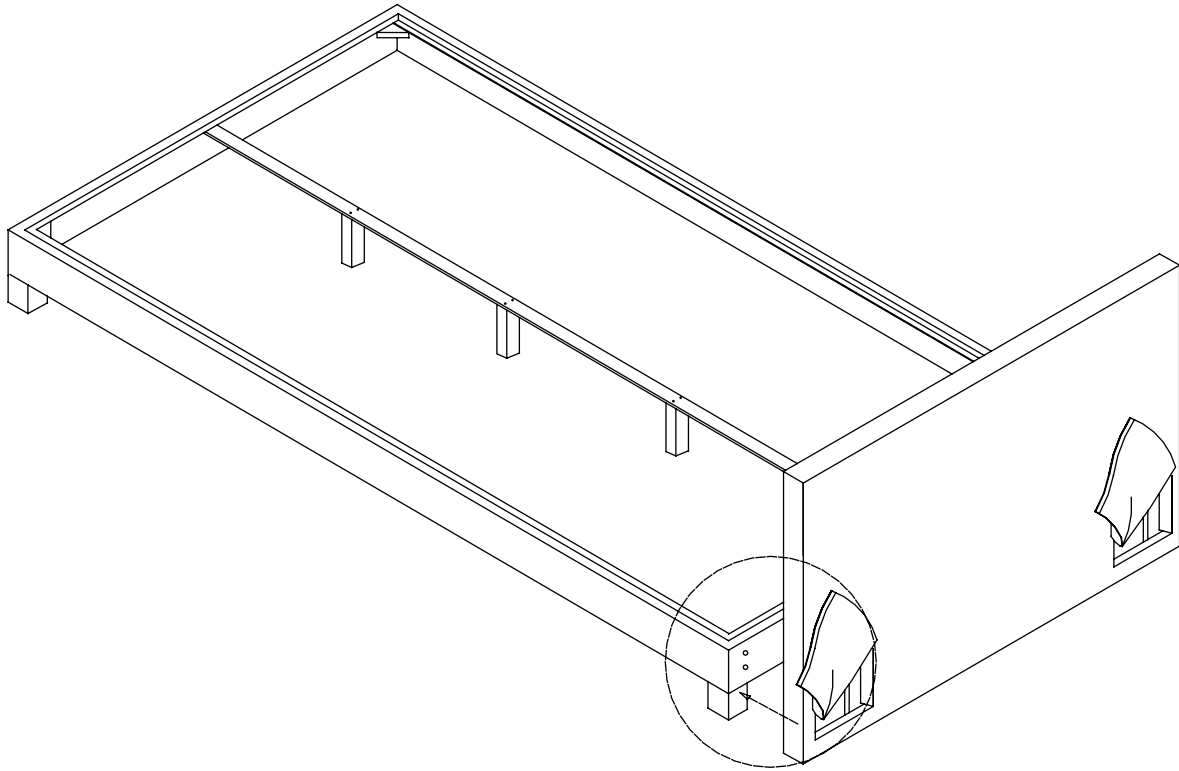
Parts

<p>A</p>  <p>bolt 6mm x 70mm 4x</p>
<p>B</p>  <p>lock washer 8x</p>
<p>C</p>  <p>flat washer 8mm x 13 mm 8x</p>

<p>D</p>  <p>bolt 6mm x 90mm 4x</p>
<p>E</p>  <p>nut 4x</p>

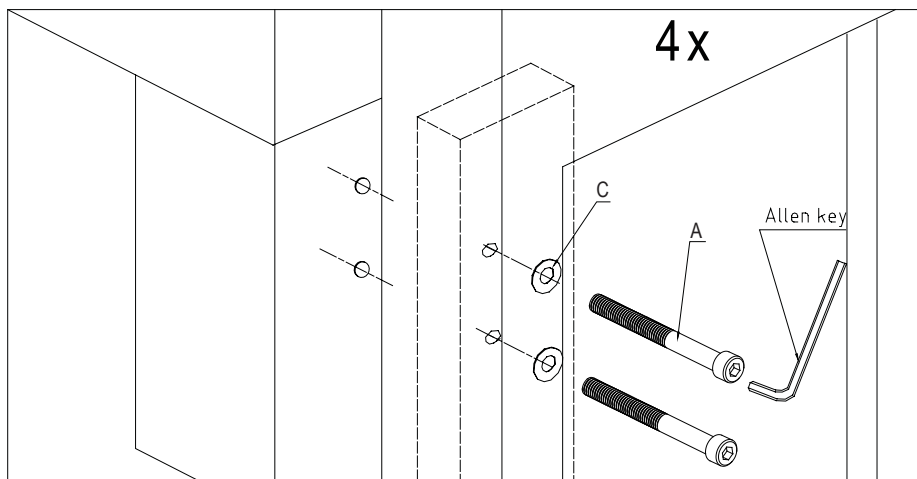
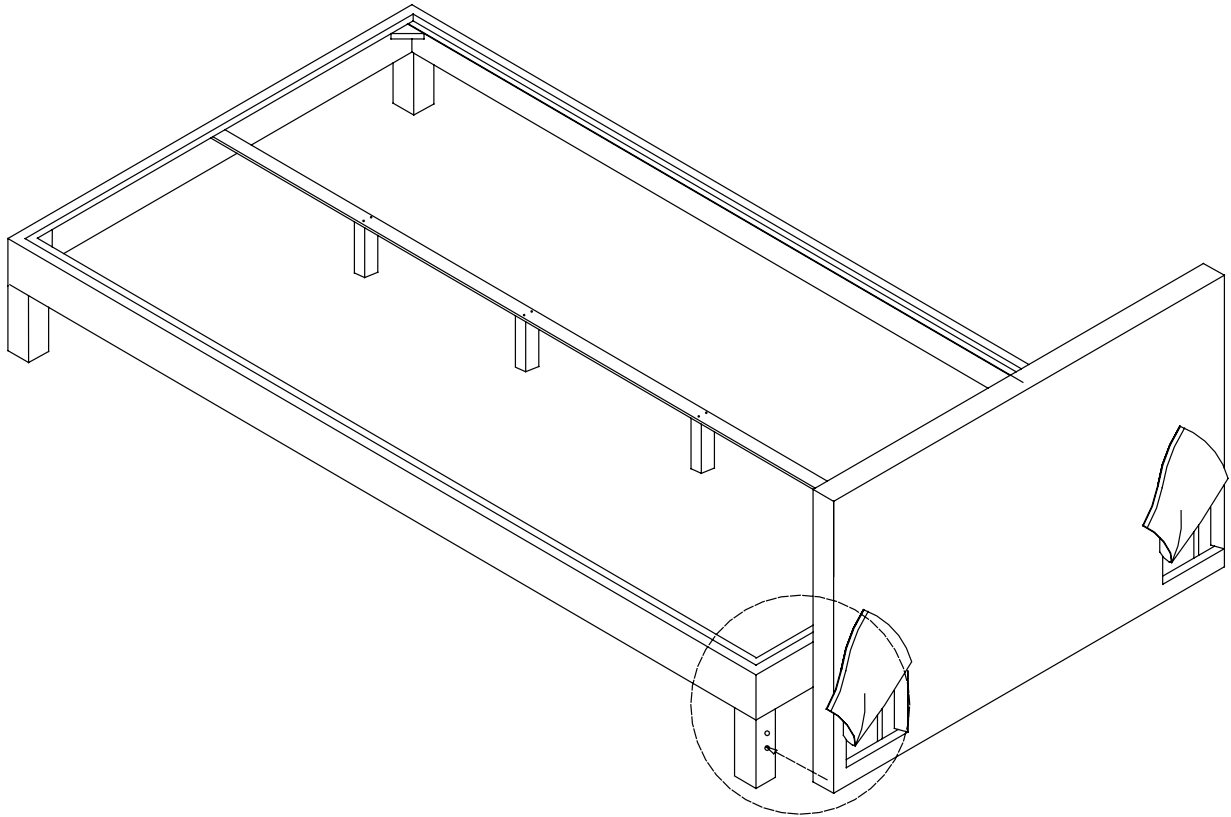
Attaching the headboard to the west elm wood bed frame.

1. Align hardware as shown and tighten with supplied tools.



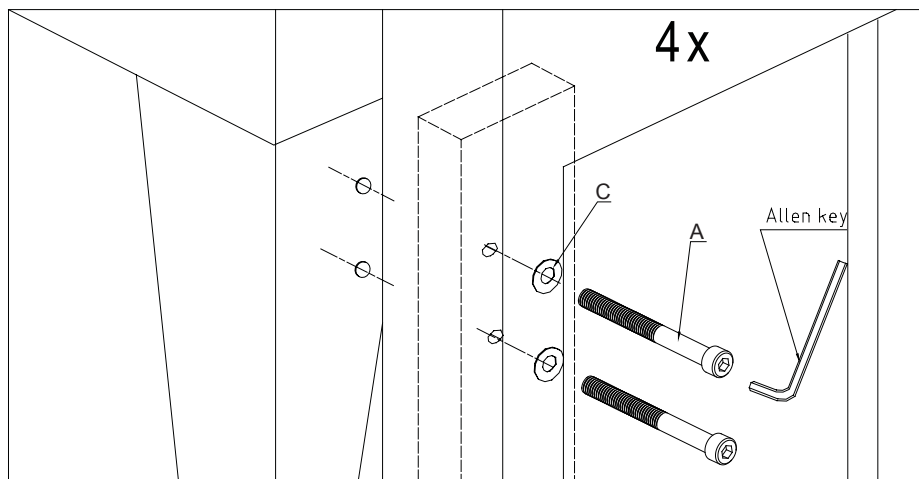
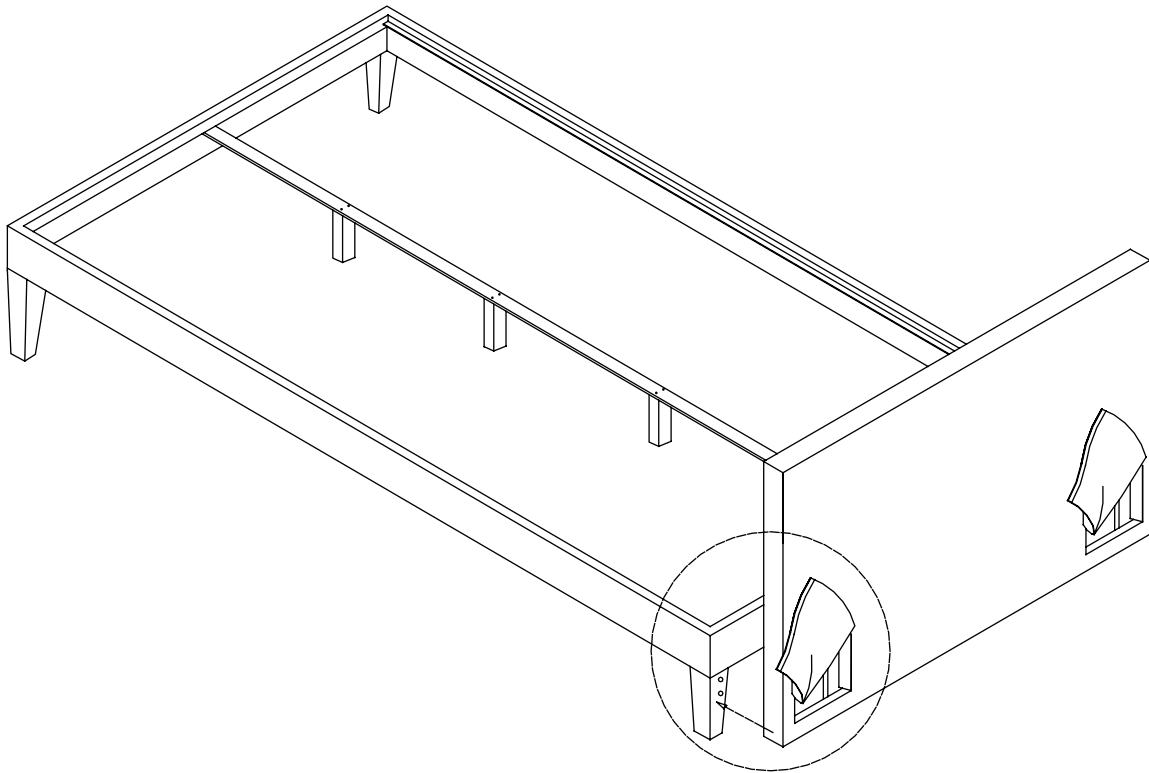
Attaching the headboard to the tall wood bed frame.

1. Align hardware as shown and tighten with supplied tools.



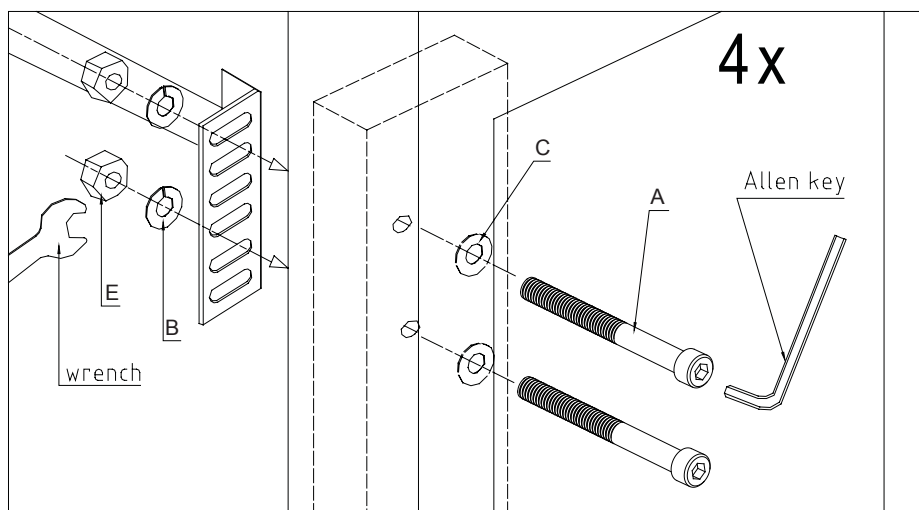
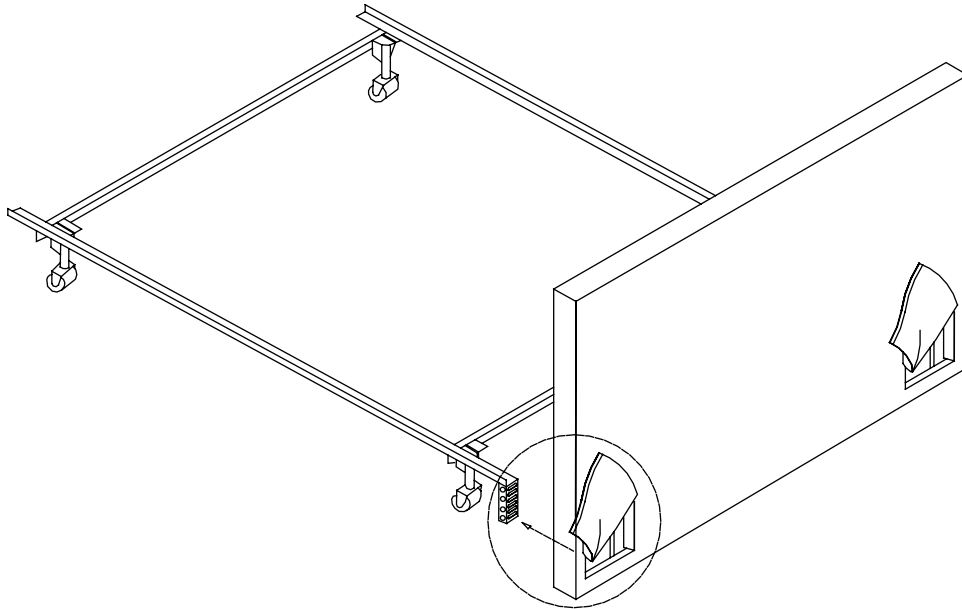
Attaching the headboard to the narrow leg bed frame.

1. Align hardware as shown and tighten with supplied tools.



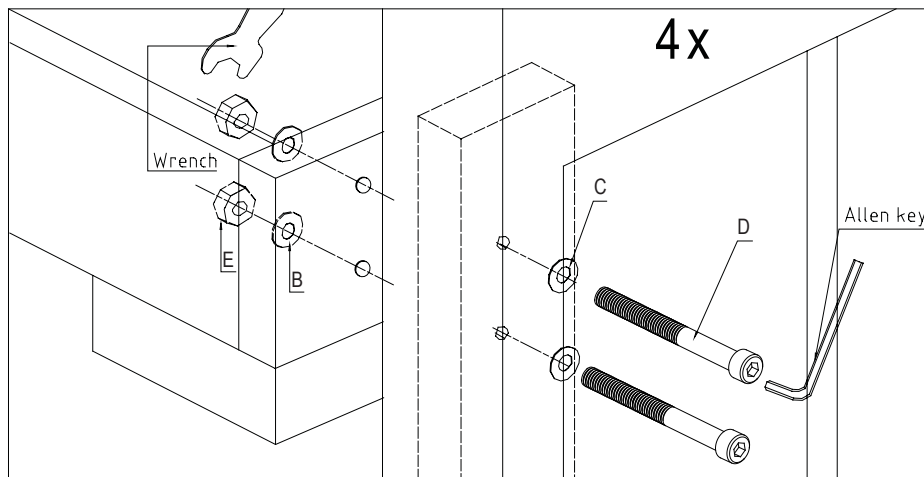
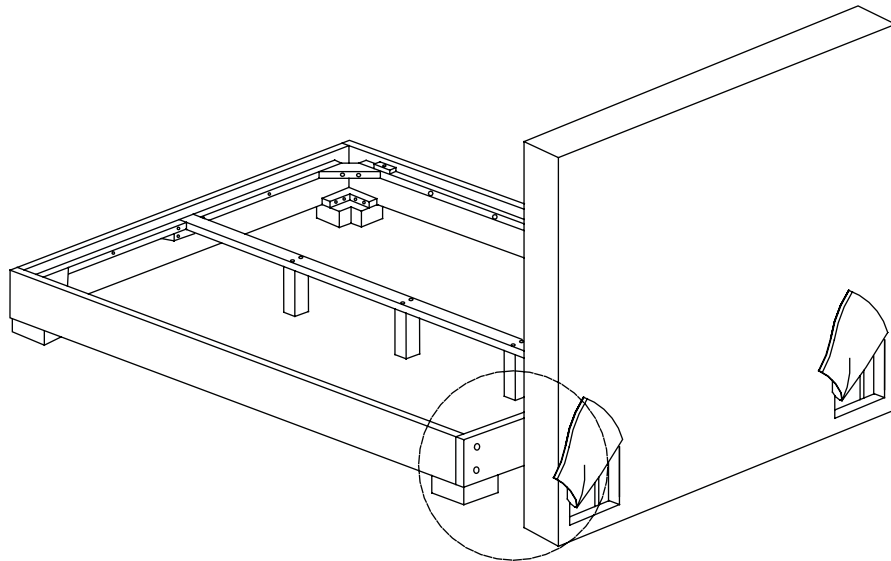
Attaching headboard to metal bed frame for box spring and mattress.

1. Align hardware as shown and tighten with supplied tools.



Attaching the headboard to the chunky wood bed frame.

1. Align hardware as shown and tighten with supplied tools.



CARE INSTRUCTIONS

Hardware may loosen over time. Periodically check that all connections are tight.

Wipe with a soft, dry cloth. To protect finish, avoid the use of chemicals and household cleaners.