

# Credenza

Assembly Guide

**Branch**



# The new way of working you've been waiting for.

Scan here for a digital copy  
of your assembly guide.

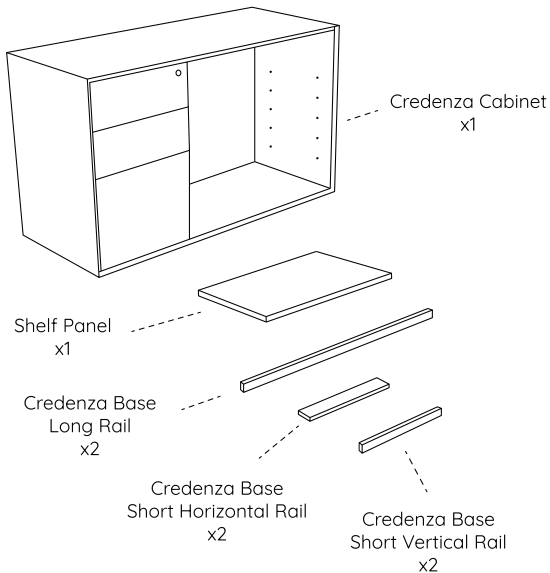




# Caution

- Please read these instructions fully prior to assembly and verify that all components are present before you start the assembly process.
- If any parts are missing, broken, damaged, or worn, stop use of the product until factory authorized replacement parts are received.
- Some screws/hardware may be preassembled.
- Two-person assembly required.
- Do not change the specifications or modify this product, for any other purpose beyond its intended use.
- TIPPING HAZARD. Do not sit or stand on the credenza.
- Failure to follow these warnings could result in serious injury or death and void any warranty.
- Keep this manual for future reference.

# Components



## Tools Required



Phillips  
Screwdriver

## Included Hardware



Camlock Post  
x14



Camlock Anchor  
x14

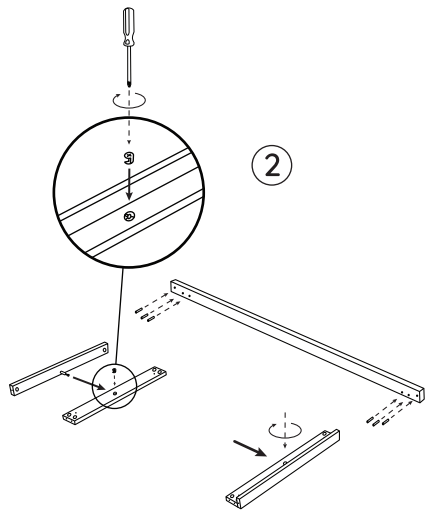
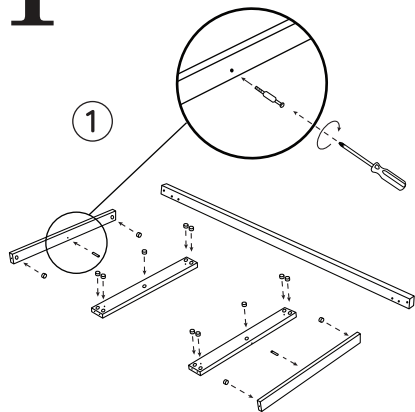


Wood Screws  
x4



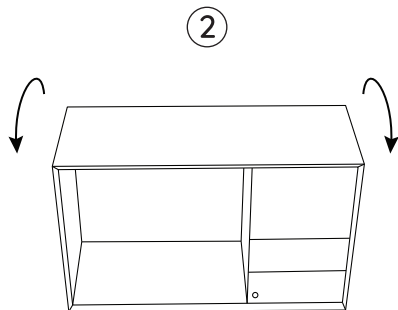
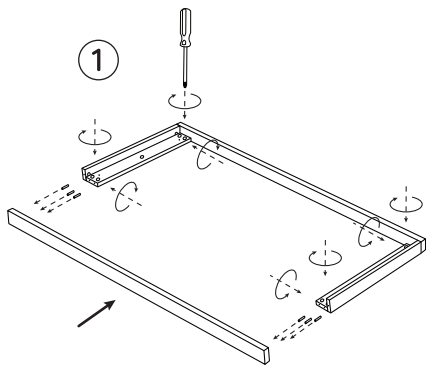
Shelf Support  
x4

# 1



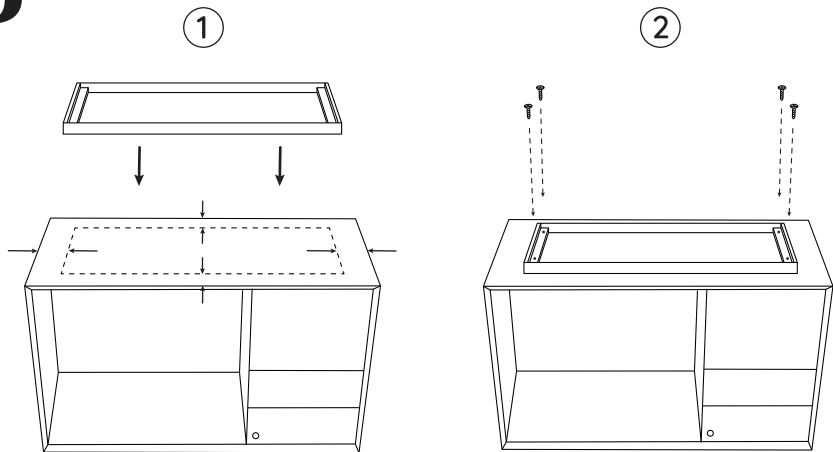
Assemble the Credenza Base. Prepare the Short Vertical Rails (x2) and Short Horizontal Rails (x2) for assembly by inserting using the Camlock Anchors (x14) into the large holes. Screw the Camlock Posts (x2) into the small holes of the Short Vertical Rails (x2) and then secure the Short Vertical and Horizontal Rails together by screwing the Camlock Anchors (x2) tight. Next, screw the Camlock Posts (x6) into the small holes of the Long Rail (x1).

# 2



Secure the Long Rail (x1) to the assembled Short Rails by screwing the Camlock Anchors (x6) tight. Install the remaining Camlock Posts (x6) into the other Long Rail (x1) and finish the Base by screwing the Camlock Anchors (x6) tight. With a friend, carefully turn the Credenza Cabinet upside down on a clean flat surface.

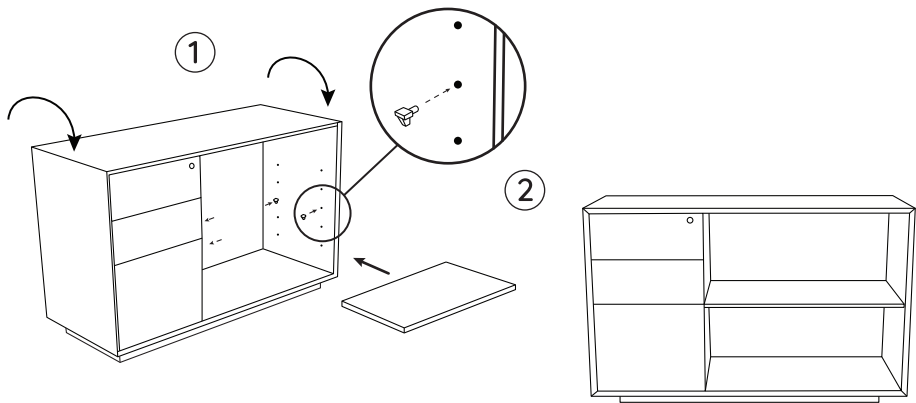
# 3



Align and position the assembled Base onto the bottom of the Credenza Cabinet, making sure it is centered side-to-side and front-to-back. Secure the Credenza Base to the Cabinet using the provided Wood Screws (x4).



# 4



With a friend, carefully turn the Credenza Cabinet rightside up. Insert the Shelf Supports (x4) into the pre-drilled holes in the cabinet at the desired height. Carefully place the Shelf panel on top of the Shelf Supports.

# Contact

Have a question, comment, or suggestion?

[hello@branchfurniture.com](mailto:hello@branchfurniture.com)  
[branchfurniture.com](http://branchfurniture.com)

**Branch**