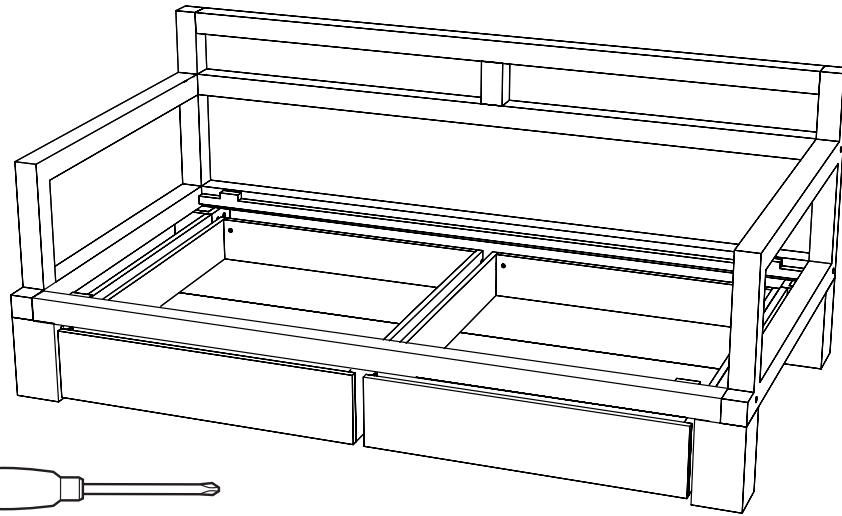


west elm

storage daybed
assembly instructions

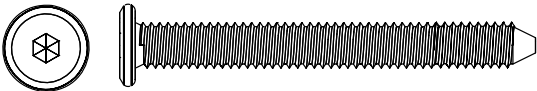
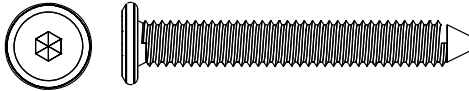
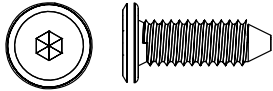
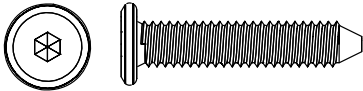


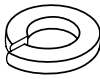


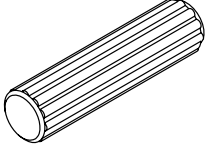

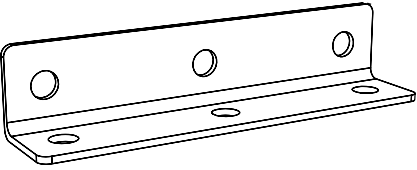

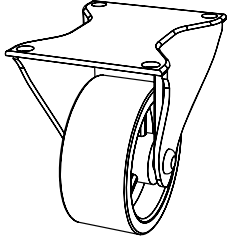


! Tools required: 

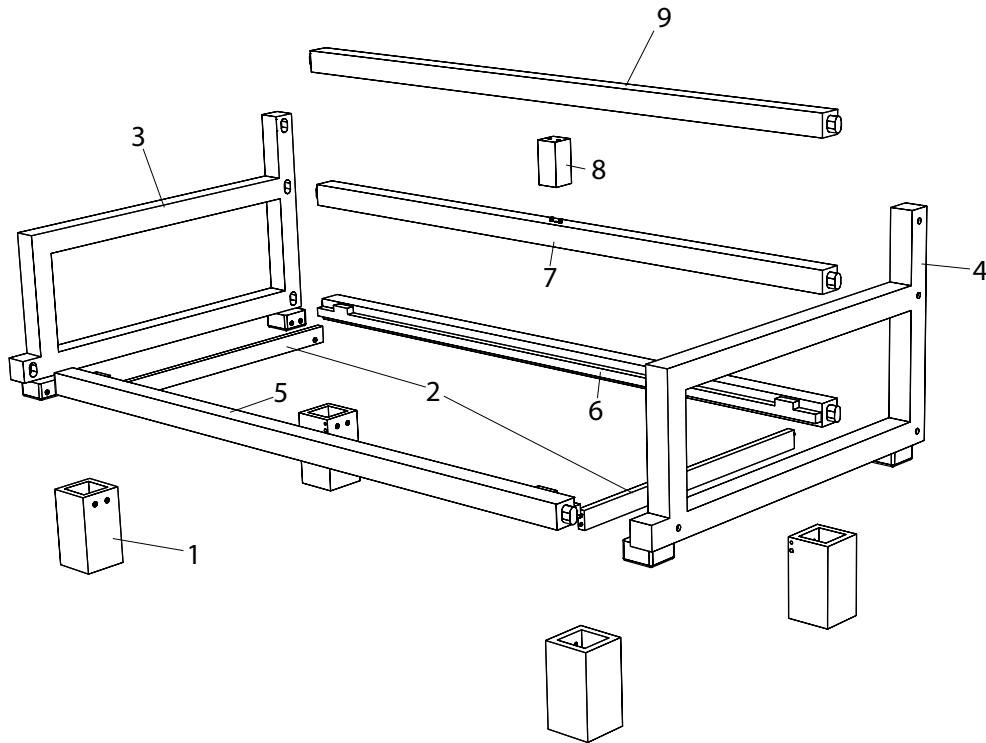
! Do not throw away packaging materials until assembly is complete.

! Assemble this item on a soft surface, such as cardboard or carpet, to protect the finish.

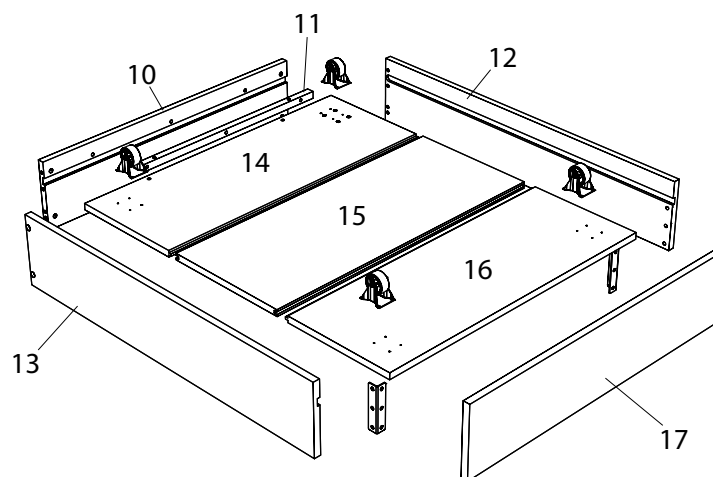
! Proper assembly of this item requires 2 people.

 A 60mm bolt 9x	 B 50mm bolt 8x	 C 20mm bolt 24x
 D 35mm bolt 18x	 E minifix bolt 4x	 F minifix nut 4x
 G spring washer 59x	 H flat washer 59x	 I barrel nut 8x
 J wood dowel 12x	 K castor screw 32x	
 L L-bracket 4x	 M allen key 1x	 N castor 8x

For ease of identification, parts are numbered sequentially in the order they are assembled.



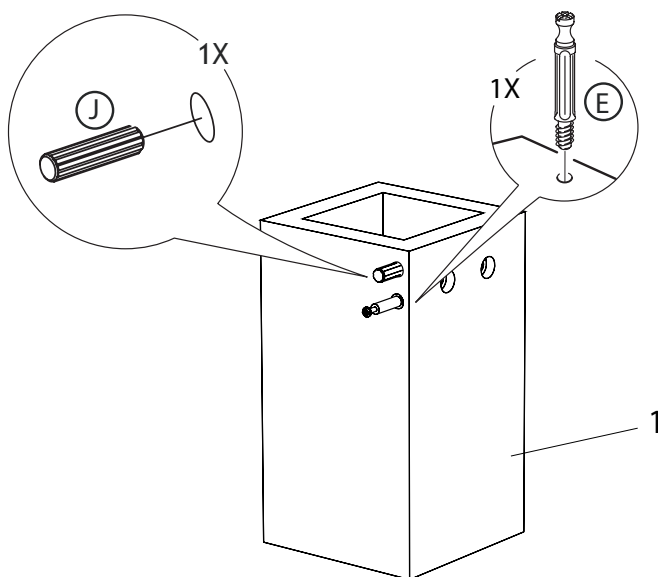
FRAME ASSEMBLY



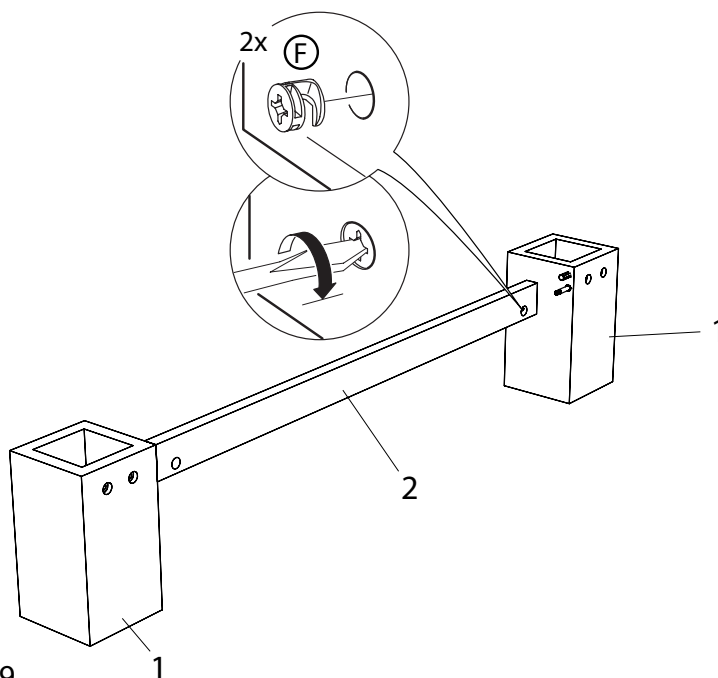
DRAWER BOX ASSEMBLY
(viewed upside down)

1. Insert wood dowel (J) and minifix bolt (E) in the pre-drilled holes in the feet (1) as illustrated. Do not tighten the minifix bolt excessively.

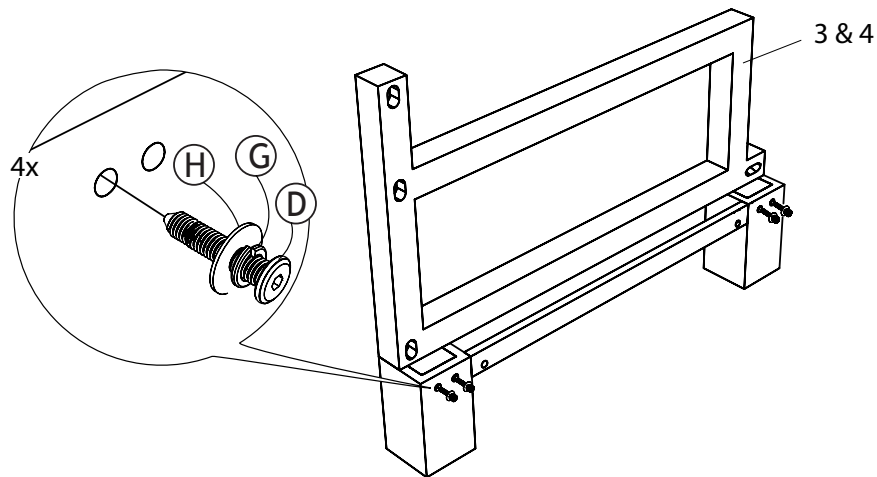
Repeat this step for all the four feet.



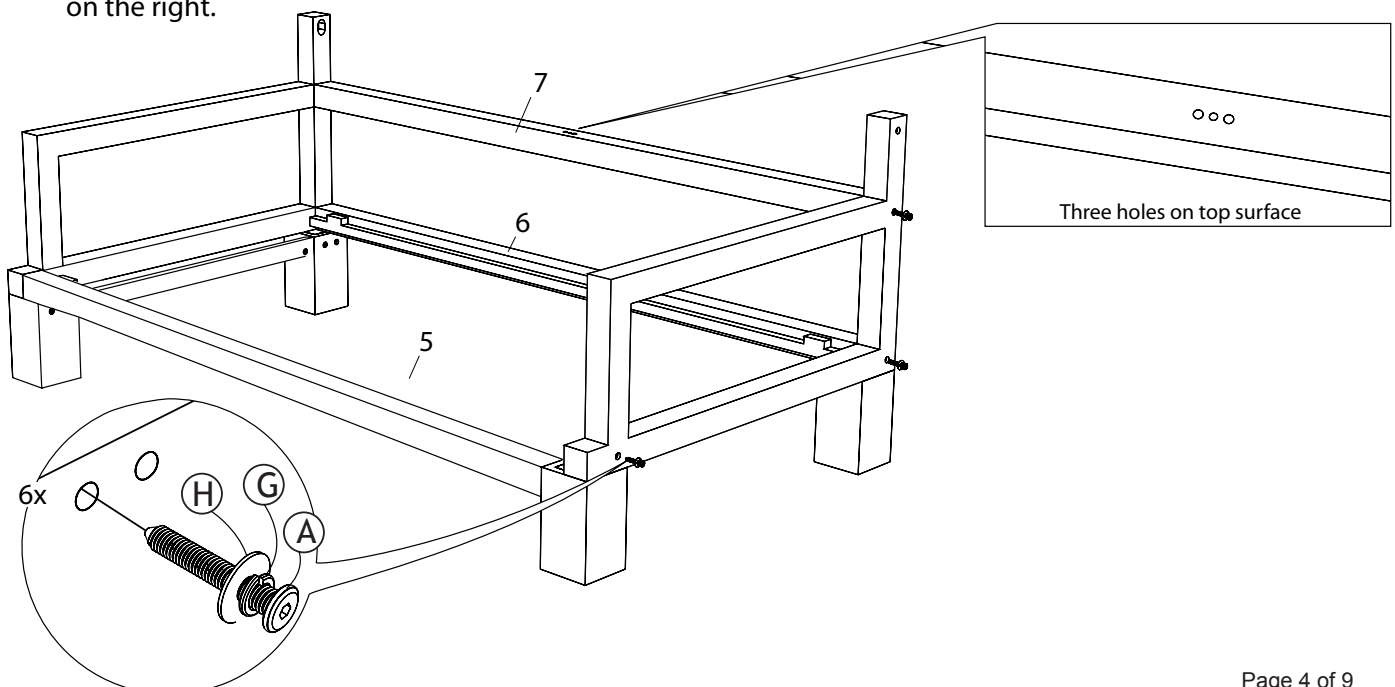
2. Position the stretcher (2) as shown between the feet (1) and insert the minifix nut (F) in the pre-drilled hole as illustrated. Turn the minifix nut 180 degrees using a screw driver to lock it with the minifix bolt.



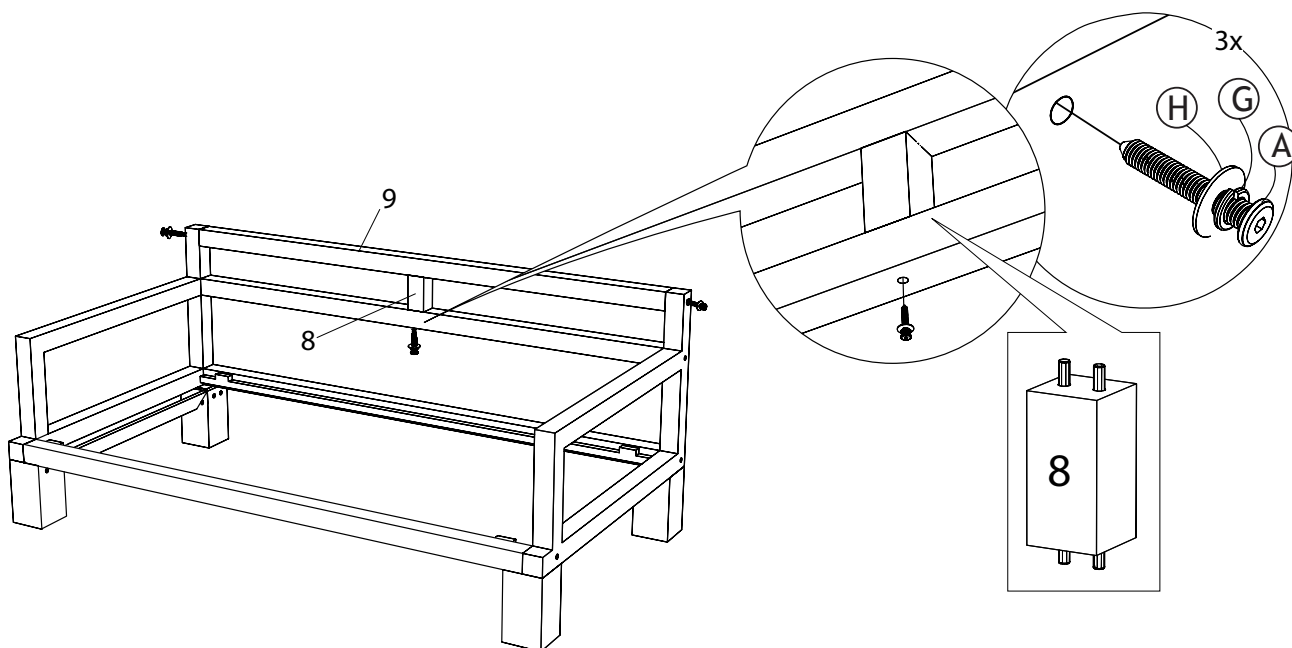
3. Insert the side frame (3 & 4) into the feet from above. Insert 35mm bolts (D) with spring washer (G) and flat washer (H). Tighten using allen key (M).



4. Position the side frame assemblies and insert the rails as illustrated. You will recognise the bottom rails (5 & 6) by the mattress support cleats. The upper rail (7) may be identified using the detailed illustration on the right.

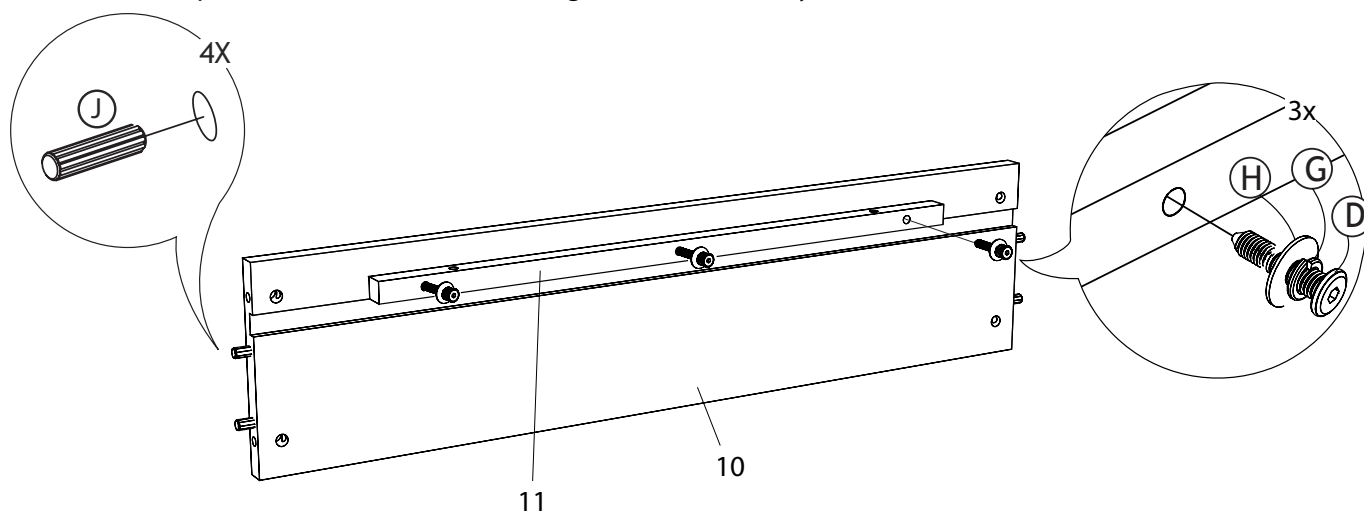


5. Insert wood dowels (J) in the four pre-drilled holes in the spacer (8). Set the spacer (8) in position and then place the top rail (9) above the spacer as illustrated. Insert 60mm bolts (A) with spring washers (G) and flat washers (H) through the pre-drilled holes. Tighten all the bolts in the assembly fully, using allen key (M).

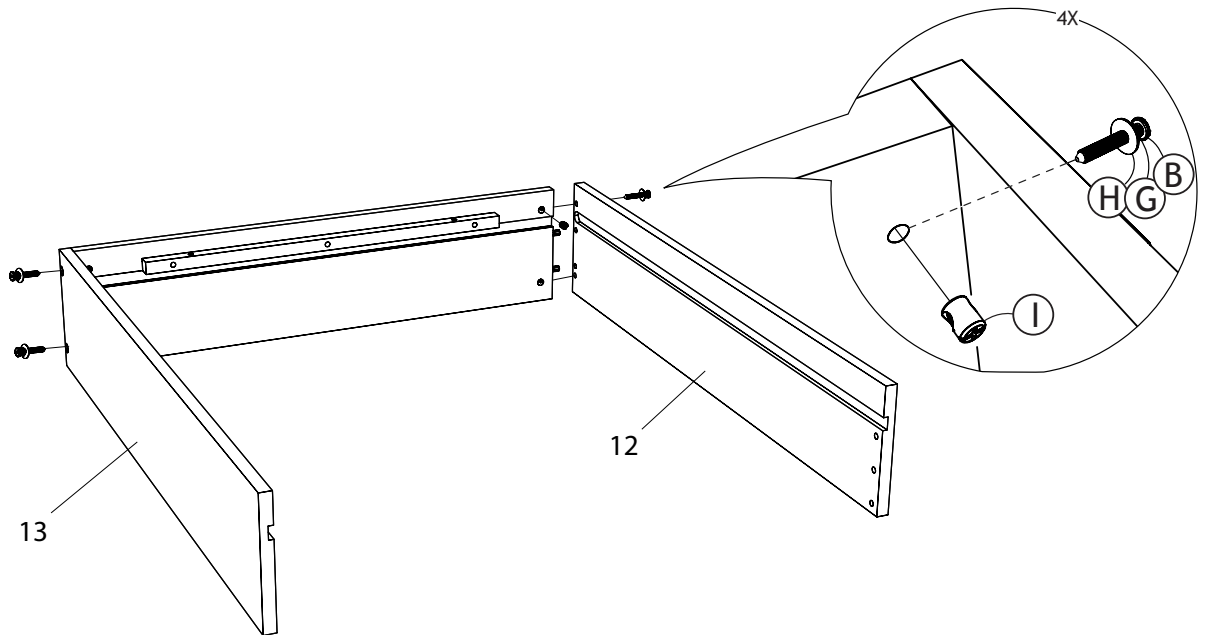


Drawer assembly

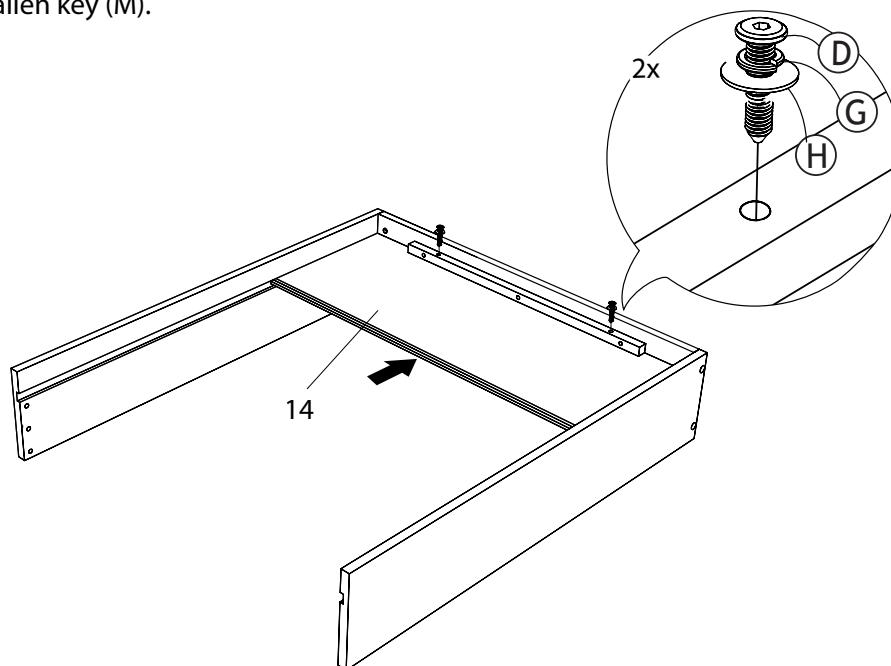
6. Insert wood dowels (J) in the pre-drilled holes in the drawer back panel (10), as shown. Attach the drawer cleat (11) to the drawer back panel and insert 35mm bolts (D) with spring washers (G) and flat washers (H) in the three pre-drilled holes in the cleat. Tighten with allen key (M).



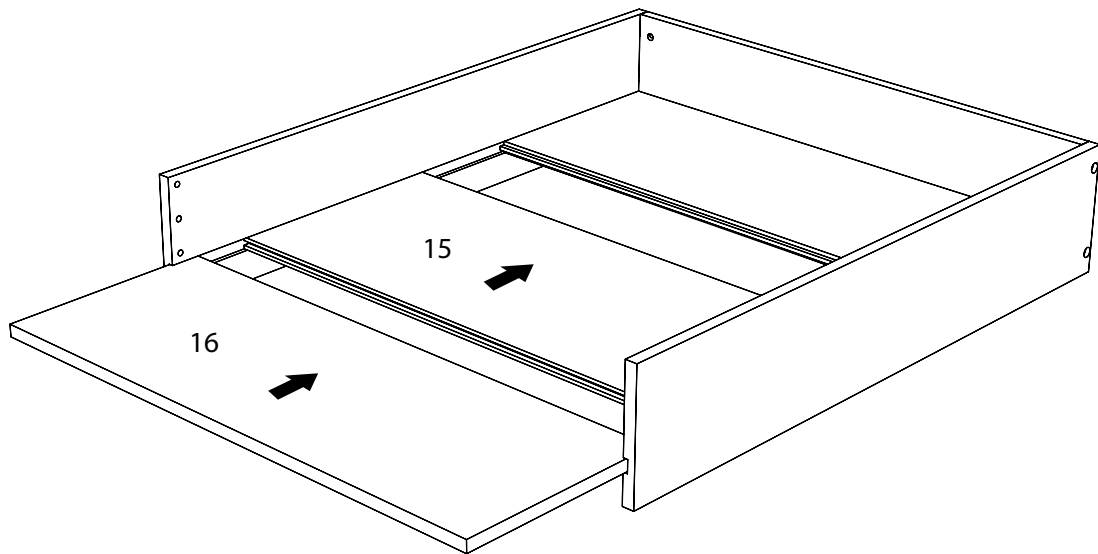
7. Attach drawer sides (12 & 13) to the drawer back. Insert 50mm bolts (B) with spring washers (G) and flat washers (H) as shown. Insert barrel nuts in to the pre-drilled holes in drawer back. Thread the 50mm bolts into the barrel nuts using your fingers. Tighten with allen key (M).



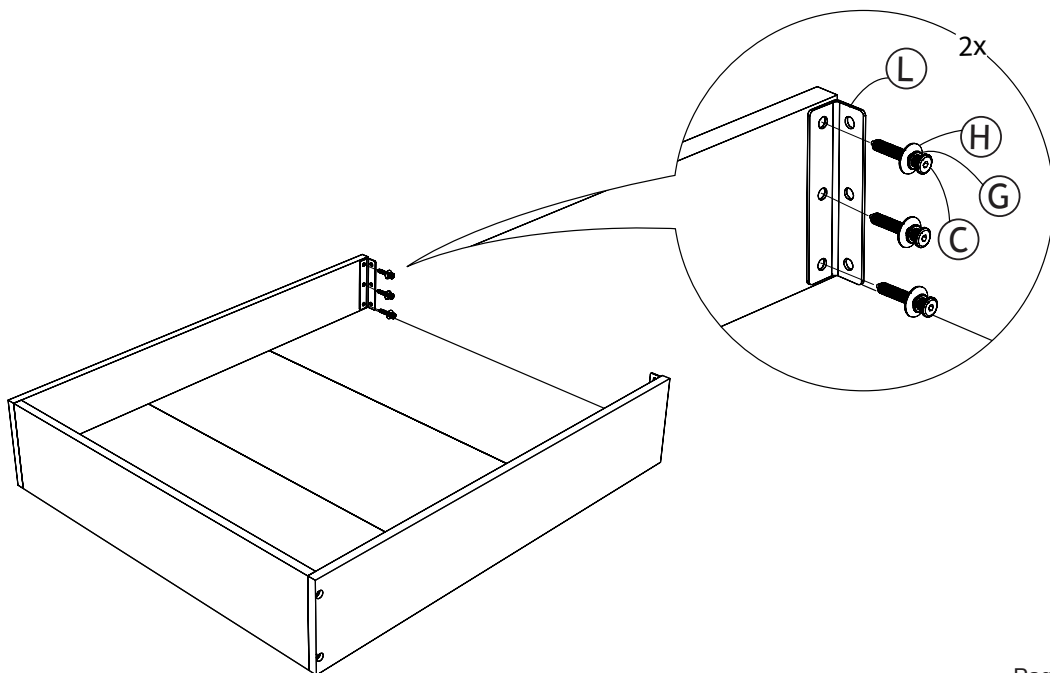
8. Slide drawer bottom (14) with pre-drilled holes for the 35mm bolts into the groove in the drawer sides, as shown. Insert 35mm bolts (D) with spring washers (G) and flat washers (H) into the pre-drilled holes. Tighten with allen key (M).



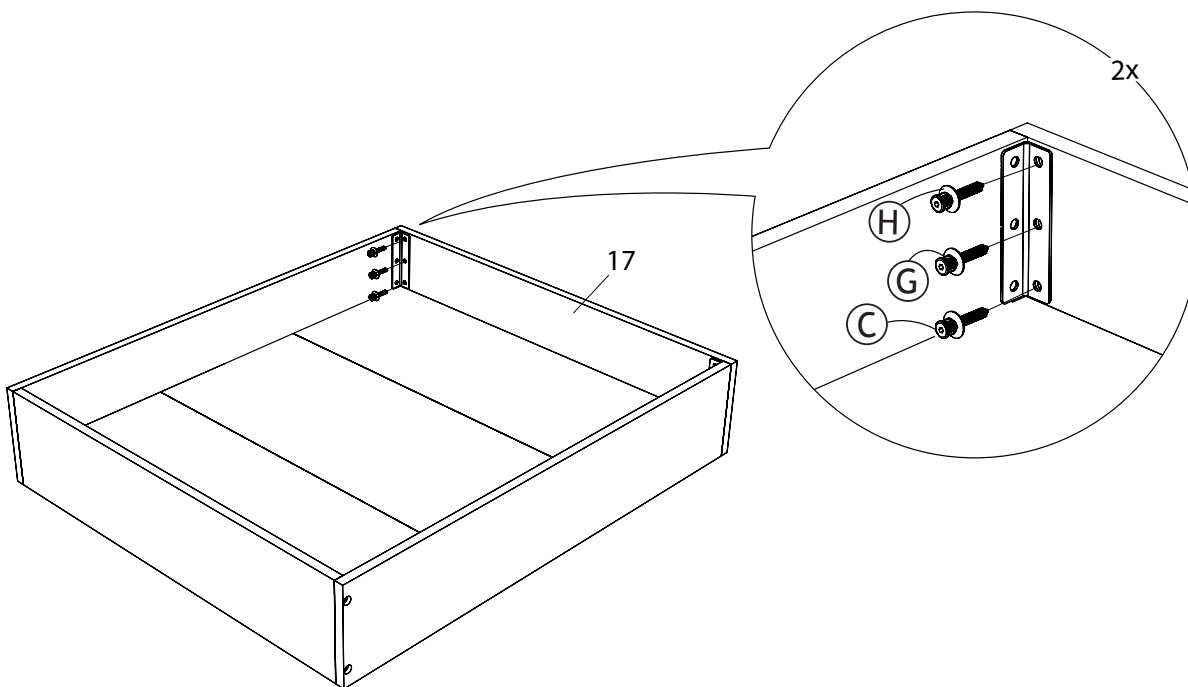
9. Turn the drawer assembly up. Slide the center drawer bottom (15) and the outer drawer bottom (16) (ensure the pre-drilled holes for the castors are facing down).



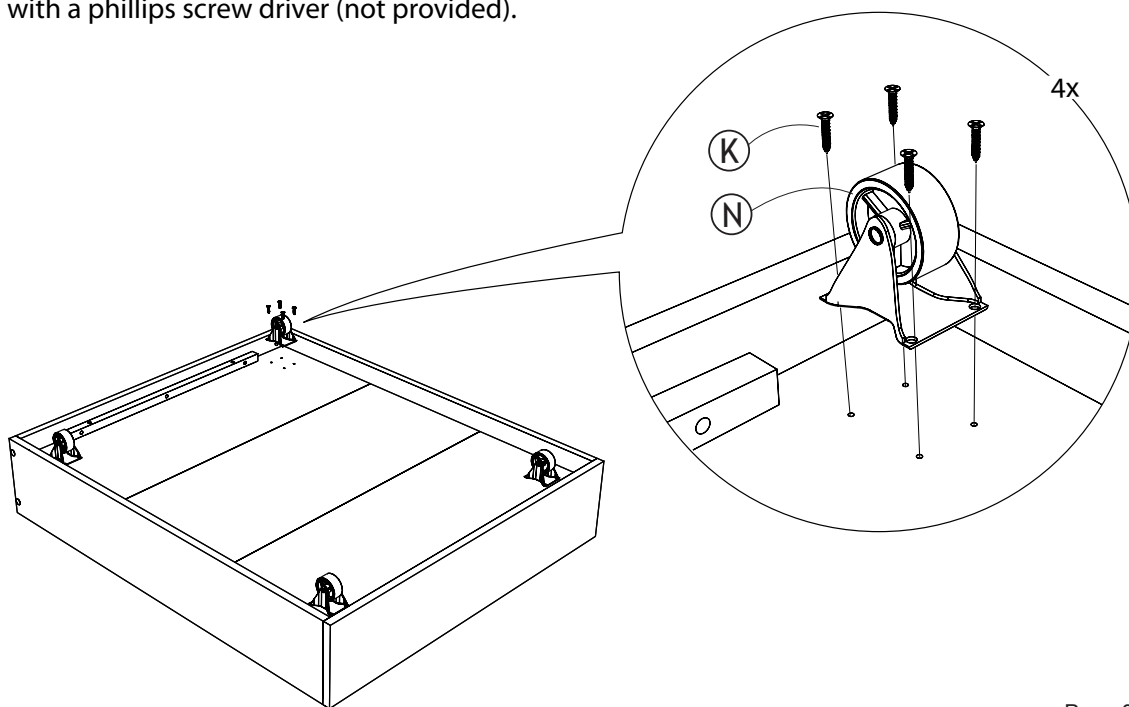
10. Attach L-brackets (L) to drawer sides using 20mm bolts (C), spring washers (G) and flat washers (H). Tighten with allen key (M).



11. Attach the drawer front (17) to the assembly. Insert 20mm bolts (C) with spring washers (G) and flat washers (H) in to the holes in the L-bracket. Tighten with allen key (M).



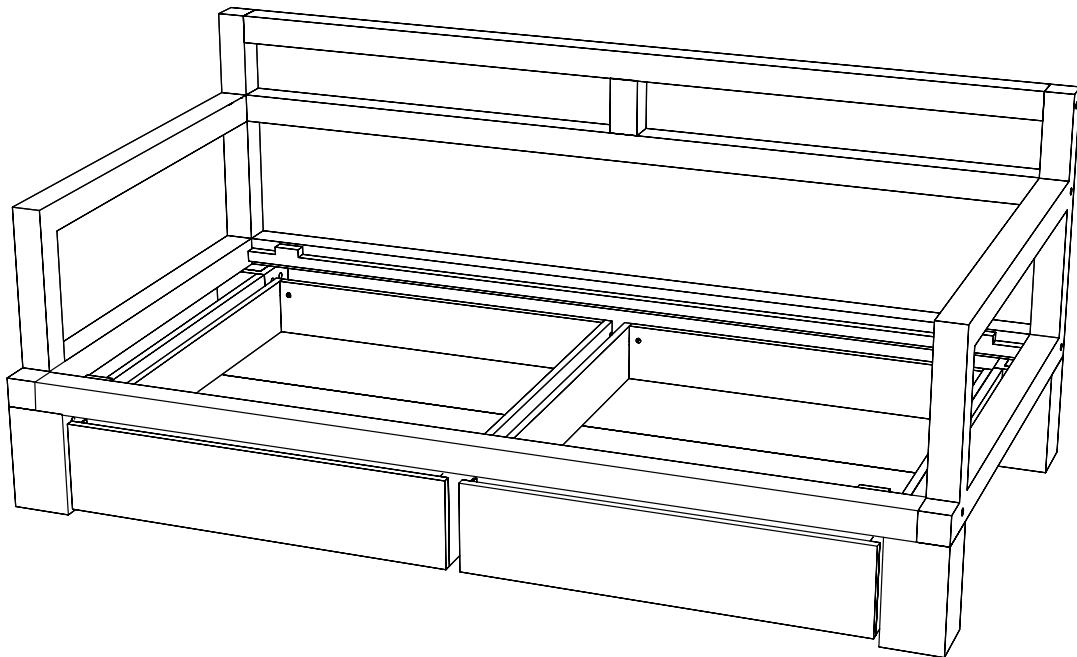
12. Turn the drawer assembly upside down. Attach the castors (N) to the drawer using the castor screws (K). Tighten with a phillips screw driver (not provided).



west elm

storage daybed
assembly instructions

13. Roll the drawers underneath the daybed. Assembly is complete.



CARE INSTRUCTIONS:

Hardware may loosen over time. Periodically check that all connections are tight.

Wipe with a soft, dry cloth. To protect the finish, avoid the use of all chemicals and household cleaners.