

Product weighing 20 pounds (9 kgs) maximum per shelf.
Poids supporté par une étagère : 20 livres (9 kg) maximum
Producto con un peso máximo de 20 libras (9 kgs) por estante.

Product weighing 135 pounds (61.4 kgs) maximum per shelf.
Poids supporté par une étagère : 135 livres (61.4 g) maximum
Producto con un peso máximo de 135 libras (61.4 kgs) por estante.

Product weighing 25 pounds (11.3 kgs) maximum per shelf.
Poids supporté par une étagère : 25 livres (11.3 kg) maximum
Producto con un peso máximo de 25 libras (11.3 kgs) por estante.

West Elm

3250 Van Ness, San Francisco, CA 94109



WARNING

For use with televisions weighing 135 lbs / 61.4 (Kg) or less with a maximum width of 68 inches / 172.72 (cm) which represents the overall width or inside dimension of the unit the TV will be placed on. Attention : this unit is not rated for use with a CRT type television.



WARNING

Death or serious injury may occur when children climb on audio and/or video equipment furniture. A remote control or toys placed on the furnishing may encourage a child to climb on the furnishing and as a result the furnishing may tip over on to the child.



WARNING

Relocating audio and/or video equipment to furniture not specifically designed to support audio and/or video equipment may result in death or serious injury due to the furnishing collapsing or over turning onto a child. All other support shelves should not be loaded more than 25 lbs. DO NOT EXCEED RECOMMENDED LOAD. Use with heavier televisions may result in instability causing tip over resulting in death or serious injury.

Please use caution when using electrical equipment. Improper use could result in the risk of fire, electric shock or injury to persons associated with the use of this unit during operation, user-maintenance, loading, storage, and, as applicable, electrical issues including grounding or double-insulation.

Electronic components generate heat that may cause damage to the equipment. Please refer to the manufacturer's owner's manual for space and ventilations requirements.

Do not allow children under 16 years to move cart.



WARNING! DO NOT MOUNT THIS ITEM ABOVE CRIBS, BEDS, OR CHANGING TABLES.



AVERTISSEMENT! NE PAS MONTER CET ARTICLE AU-DESSUS DES BERCEAUX, DES LITS OU DES TABLES À LANGER.



ADVERTENCIA! NO ENSAMBLAR ESTE ARTÍCULO SOBRE CUNAS, CAMAS O CAMBIADORES DE BEBÉ.

West Elm**3250 Van Ness, San Francisco, CA 94109****MISE EN GARDE**

Pour utilisation avec des téléviseurs pesant moins de 135 lb/ 61.4 kg et étant d'une largeur maximale de 68 po/ 172.72 cm ce qui représente la largeur totale ou la dimension intérieure de l'unité sur laquelle le téléviseur sera posé.

Attention: cette unité n'a pas été conçue pour être utilisée avec un téléviseur à écran cathodique.

**MISE EN GARDE**

La mort ou des blessures graves peuvent se produire lorsque des enfants grimpent sur un meuble d'équipement audio et/ou vidéo. Une télécommande ou des jouets placés sur le meuble peuvent encourager un enfant à grimper sur le meuble, ce qui peut causer le basculement du meuble sur l'enfant.

**MISE EN GARDE**

Déplacer l'équipement audio et/ou vidéo sur un meuble n'étant pas conçu spécifiquement pour le soutien d'équipement audio et/ou vidéo, peut causer la mort ou des blessures graves dues au meuble qui bascule ou qui se renverse sur l'enfant.

Toutes autres étagères de soutien ne doivent pas recevoir une charge de plus de 25 lb /11.3 kg.

NE PAS DÉPASSER LA CHARGE RECOMMANDÉE. L'utilisation avec des téléviseurs plus lourds peut rendre l'unité instable, le faire basculer et causer la mort ou des blessures graves.

Veuillez être prudent lorsque vous utilisez des appareils électriques. Une utilisation inadéquate peut entraîner des risques d'incendie, de décharge électrique ou de blessures liées à l'utilisation de l'appareil en cours de fonctionnement, de maintenance, de chargement, de rangement et, le cas échéant, des problèmes électriques incluant la mise à la terre ou l'isolation double.

Les composants électroniques produisent de la chaleur pouvant endommager l'équipement. Veuillez vous référer au manuel d'utilisateur du fabricant pour les exigences d'espace et de ventilation.

Ne pas permettre aux enfants de moins de 16 ans de déplacer le chariot.



WARNING! DO NOT MOUNT THIS ITEM ABOVE CRIBS, BEDS, OR CHANGING TABLES.



AVERTISSEMENT! NE PAS MONTER CET ARTICLE AU-DESSUS DES BERCEAUX, DES LITS OU DES TABLES À LANGER.



ADVERTENCIA! NO ENSAMBLAR ESTE ARTÍCULO SOBRE CUNAS, CAMAS O CAMBIADORES DE BEBÉ.

West Elm**3250 Van Ness, San Francisco, CA 94109****PRECAUCIÓN**

Para uso con televisores que pesen 135 lbs /61.4 (Kg) o menos y de un ancho máximo de 68 pulgadas/172.72 (cm) que representa en ancho o dimensión de la unidad donde va a colocar el televisor.

Atención: esta unidad no esta aprobada para uso con televisores tipo CRT.

**PRECAUCIÓN**

Lesiones serias o muerte pueden ocurrir si el niño sube a un mueble para audio o video. Colocar el control remoto o juguetes sobre el mueble puede hacer que el niño se suba al mueble y este caiga sobre el niño.

**PRECAUCIÓN**

Colocar equipos de audio o video en muebles que no están diseñados para ello, puede resultaren lesiones serias o muerte debido a la caída del mueble sobre el niño.

El resto de las repisas no debe cargarse con más de 25 lbs/11.3 Kgs.

NO EXCEDA LA CARGA RECOMENDADA. El uso con televisores más pesados puede resultar en inestabilidad causando que el mueble se voltee resultando en lesiones serias o muerte.

Por favor tenga cuidado al utilizar equipos eléctricos. El uso indebido puede resultar en riesgo de fuego, choque eléctrico o lesiones a personas involucradas en el uso de la unidad durante la operación, mantenimiento, carga, almacenaje y, cuando aplique, problemas eléctricos incluyendo aterramiento o aislamiento doble.

Los componentes eléctricos generan calor que pueden causar daño al equipo. Por favor revise el manual de instrucciones del fabricante referente a requerimientos de espacio y ventilación.

No permita que los niños menores de 16 años muevan el mueble.



WARNING! DO NOT MOUNT THIS ITEM ABOVE CRIBS, BEDS, OR CHANGING TABLES.



AVERTISSEMENT! NE PAS MONTER CET ARTICLE AU-DESSUS DES BERCEAUX, DES LITS OU DES TABLES À LANGER.



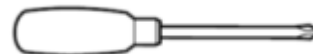
ADVERTENCIA! NO ENSAMBLAR ESTE ARTÍCULO SOBRE CUNAS, CAMAS O CAMBIADORES DE BEBÉ.

! Tools required :

! Outils nécessaires :

! Herramientas necesarias:

- Screw Driver (+) Head / Tournevis (+) Tête / Destornillador de cabeza (+)



- 1/4" Drill Bit / Fleuret 1/4 po / Broca de 1/4"



! Do not throw away packaging materials until assembly is complete.

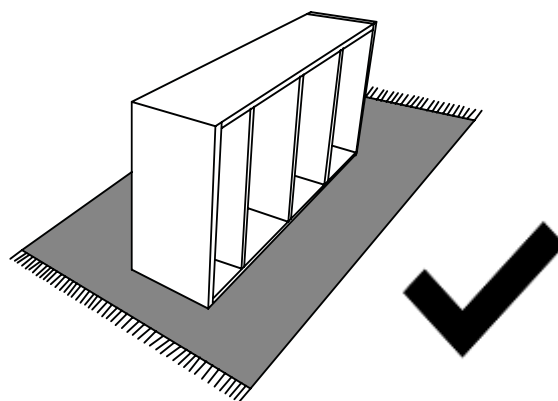
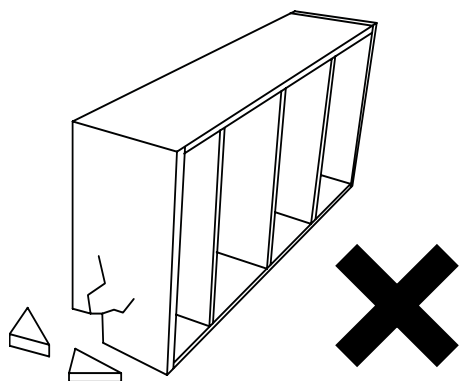
! Ne pas jeter les matériaux d'emballage avant la fin de l'assemblage.

! No desechar los materiales del empaque hasta haber completado el ensamblaje.

! Assemble this item on a soft surface, such as cardboard or carpet, to protect finish.

! Assembler cet article sur une surface douce, telle qu'un carton ou un tapis, pour protéger la finition.

! Ensamblar este artículo en una superficie suave, como un cartón o una alfombra, para proteger el acabado.



! Proper assembly of this item requires 2 people.

! Deux personnes sont requises pour l'assemblage approprié de cet article.

! El ensamblaje apropiado de este artículo requiere de 2 personas.

CARE INSTRUCTIONS / INSTRUCTIONS D'ENTRETIEN / INSTRUCCIONES DE CUIDADO:

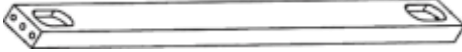
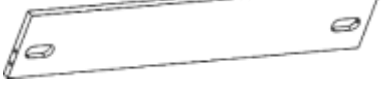

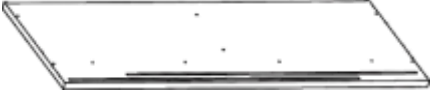

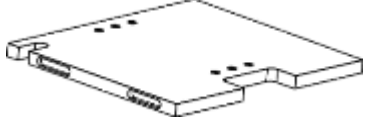
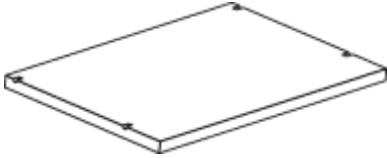



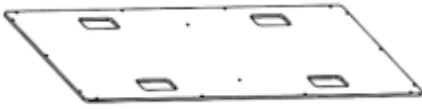
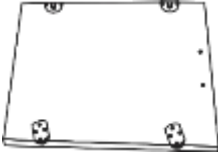




Hardware may loosen overtime. Periodically check that all connections are tight. Wipe with a soft, dry cloth. To protect finish, avoid the use of chemicals and household cleaners. All hot serving dishes should be placed on a pad. Any liquid spilled onto the furniture should be cleaned up immediately with a damp cloth.

Le matériel peut se desserrer avec le temps. Vérifier de temps en temps que toutes les fixations sont bien serrées.

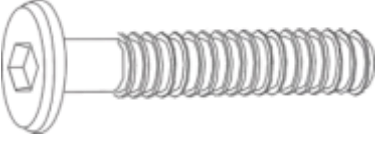
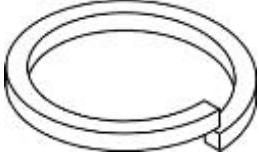


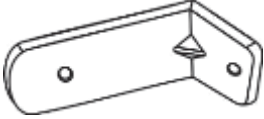




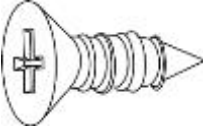


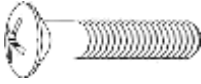

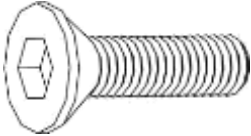


Essuyer avec un chiffon doux et sec. Pour protéger la finition, éviter l'utilisation des produits chimiques et des produits de nettoyage domestiques. Les plats de service chauds doivent être placés sur un tampon. Les liquides déversés sur le meuble doivent être immédiatement nettoyés avec un chiffon humide.

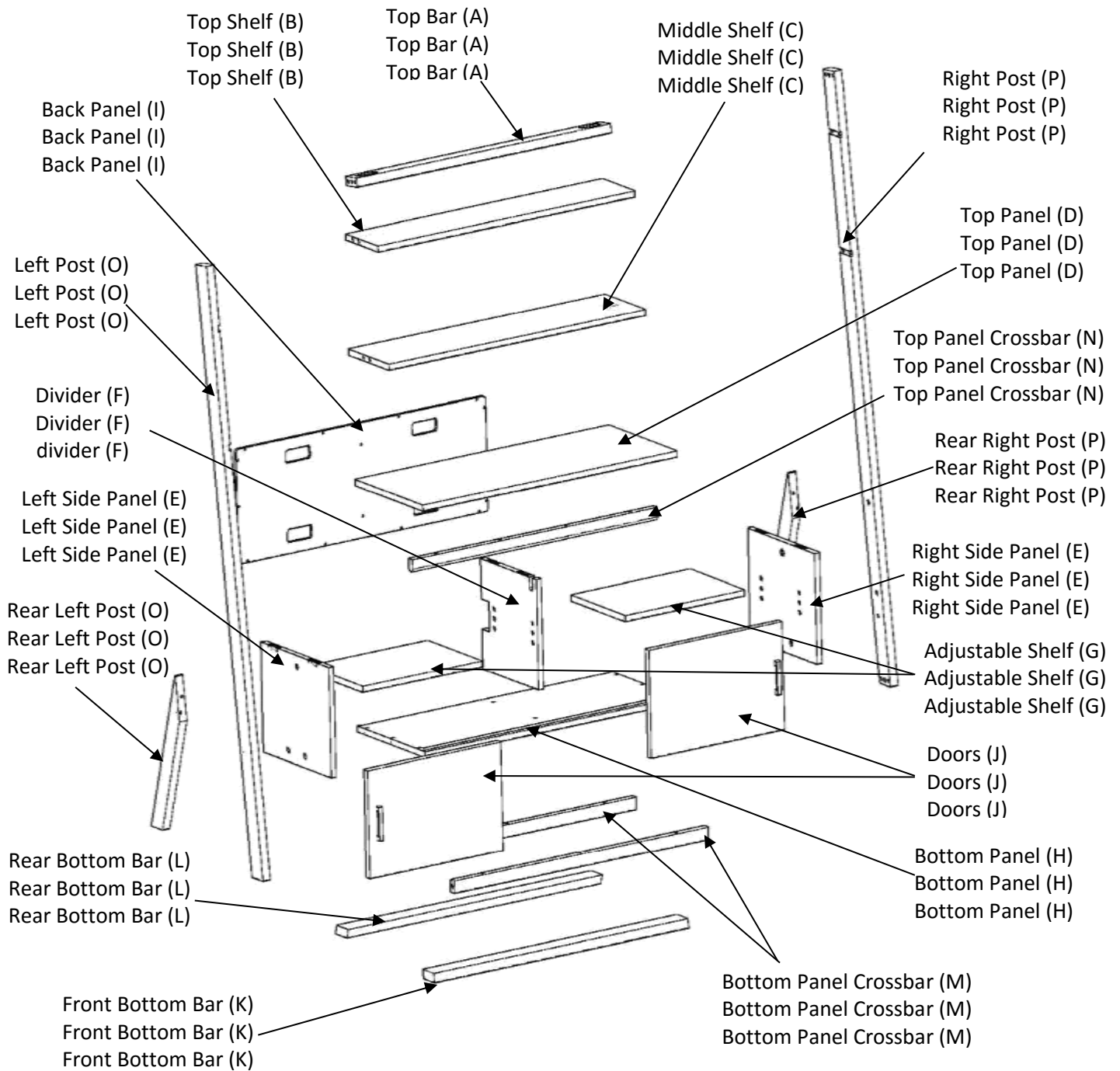
Las piezas de ferretería pueden aflojarse con el tiempo. Controlar periódicamente que estén bien ajustadas. Limpiar con un paño suave y seco. Para proteger el acabado evitar el uso de químicos y limpiadores de uso hogareño. Todos los platos calientes que se sirvan se deben colocar sobre un posafuentes. Si se derrama cualquier tipo de líquido en la estantería se debe limpiar de inmediato con un paño húmedo.

COMPONENT OF SKU # 6061816, 6061027.

<p>A</p>  <p>Topbar – 1x Topbar – 1x Topbar – 1x</p>	<p>B</p>  <p>Top Shelf – 1x Top Shelf – 1x Top Shelf – 1x</p>	<p>C</p>  <p>Middle Shelf – 1x Middle Shelf – 1x Middle Shelf – 1x</p>
<p>D</p>  <p>Top Panel – 1x Top Panel – 1x Top Panel – 1x</p>	<p>E</p>  <p>Side Panel – 2x (Left 1x/Right 1x) Side Panel – 2x (Left 1x/Right 1x) Side Panel – 2x (Left 1x/Right 1x)</p>	<p>F</p>  <p>Center Divider – 1x Divider – 1x Divider – 1x</p>
<p>G</p>  <p>Adjustable shelf – 2x Adjustable shelf – 2x Adjustable shelf – 2x</p>	<p>H</p>  <p>Bottom panel – 1x Bottom panel – 1x Bottom panel – 1x</p>	<p>COMPONENT OF SKU # _____</p> <div style="display: flex; justify-content: space-around;"> <div data-bbox="1066 875 1268 2004"> <p>O</p>  <p>Left Post–1x Left Post–1x Left Post–1x</p> <p>Rear L Post–1x Rear L Post–1x Rear L Post–1x</p> </div> <div data-bbox="1276 875 1481 2004"> <p>P</p>  <p>Right Post–1x Right Post –1x Right Post –1x</p> <p>Rear R Post–1x Rear R Post –1x Rear R Post –1x</p> </div> </div>
<p>I</p>  <p>Back Panel – 1x Back Panel – 1x Back Panel – 1x</p>	<p>J</p>  <p>Doors – 2x (Back 1x/Front 1x) Doors – 2x (Back 1x/Front 1x) Doors – 2x (Back 1x/Front 1x)</p>	
<p>K</p>  <p>Front Bottombar – 1x Front Bottombar – 1x Front Bottombar – 1x</p>	<p>L</p>  <p>Rear Bottombar – 1x Rear Bottombar – 1x Rear Bottombar – 1x</p>	
<p>M</p>  <p>Bottom Panel Crossbar – 2x Bottom Panel Crossbar – 2x Bottom Panel Crossbar – 2x</p>	<p>N</p>  <p>Top Panel Crossbar – 1x Top Panel Crossbar – 1x Top Panel Crossbar – 1x</p>	

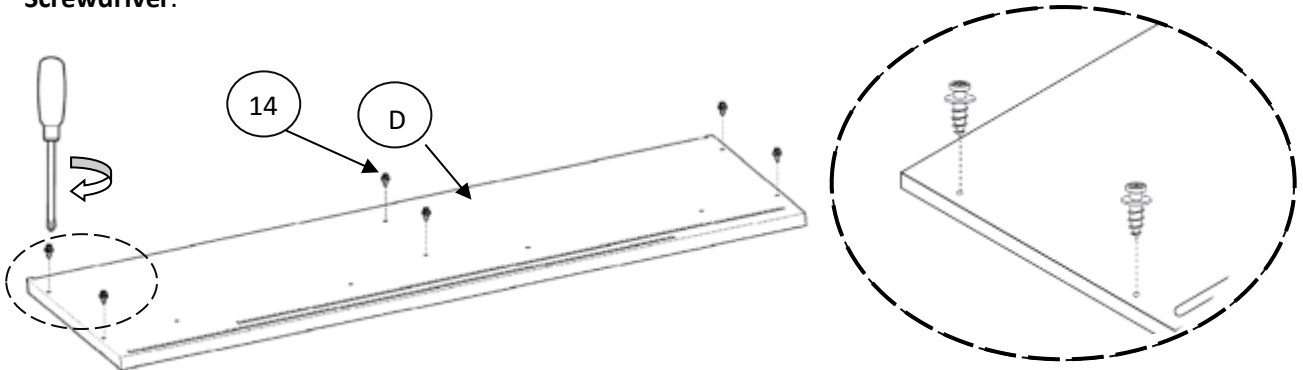
HARDWARE

<p>1</p>  <p>Allen Bolt M6x40 mm – 20x</p>	<p>2</p>  <p>Spring Washer Ø8 mm – 10x</p>	<p>3</p>  <p>Halfmoon Washer – 10x</p>
<p>4</p>  <p>Stud-Solver Anchor – 1x</p>	<p>5</p>  <p>Mounting Plate – 1x</p>	<p>6</p>  <p>Allen Key 4 mm – 2x</p>
<p>7</p>  <p>Screws 8 x 1-1/2" – 11x</p>	<p>8</p>  <p>Screws 8 x 5/8" – 17x</p>	<p>9</p>  <p>Metal Plate – 2x</p>
<p>10</p>  <p>Screws 8 x 1/2" – 4x</p>	<p>11</p>  <p>Wooden Dowel 8 x 30mm – 28x</p>	<p>12</p>  <p>Handle – 2x</p>
<p>13</p>  <p>Bolt – 4x</p>	<p>14</p>  <p>Mounting Screw – 6x</p>	<p>15</p>  <p>JF Bolt – 6x</p>
<p>16</p>  <p>Pin Shelf – 8x</p>		<p>17</p>  <p>Allen Key 5 mm – 1x</p>

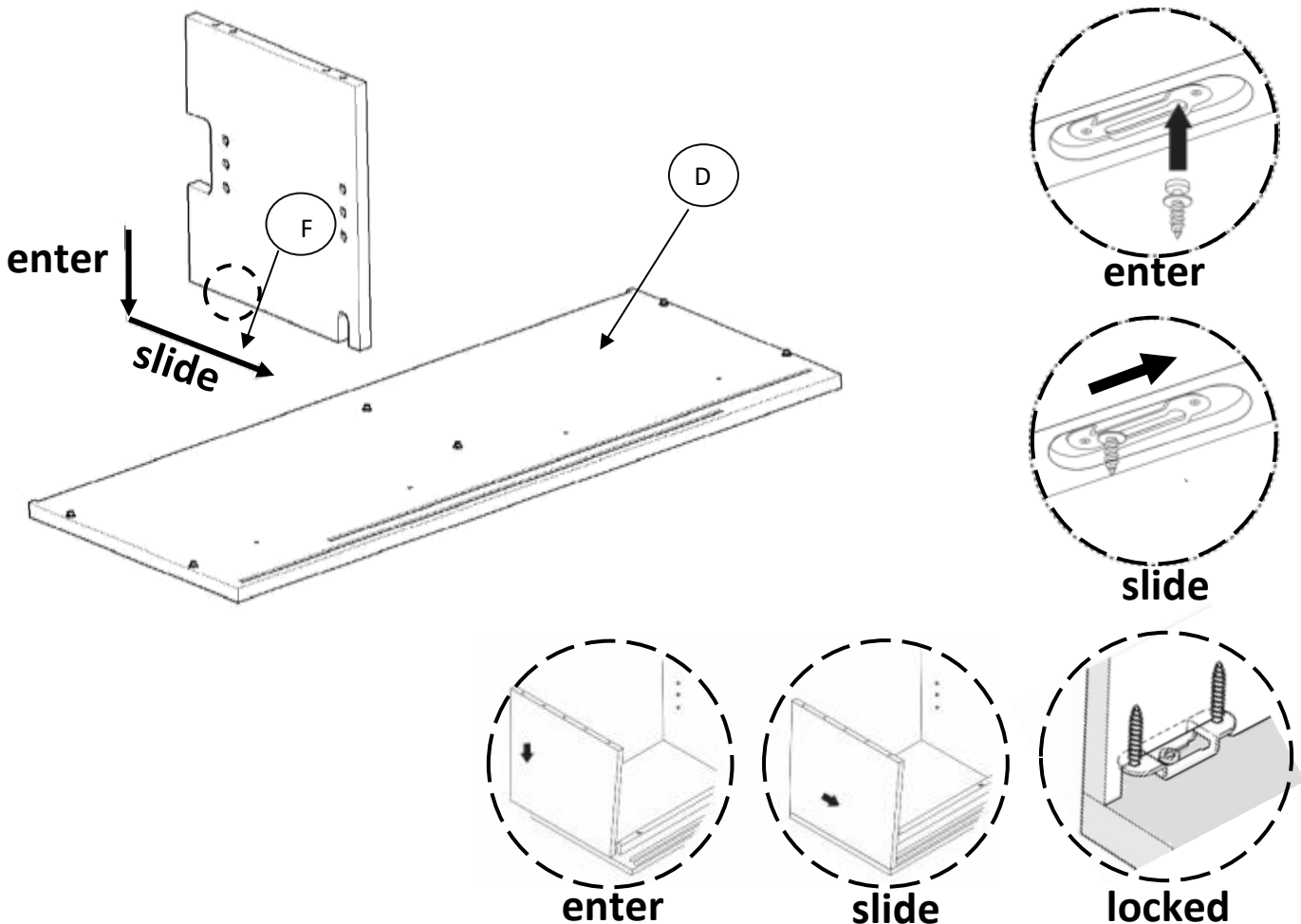


1. Take the **Top Panel (D)** and then attach the **Mounting Screw (14)** **on-predrill** according to the image using a **Screwdriver**.

1. Take the **Top Panel (D)** and then attach the **Mounting Screw (14)** on predrill according to the image using a **Screwdriver**.
1. Take the **Top Panel (D)** and then attach the **Mounting Screw (14)** on predrill according to the image using a **Screwdriver**.

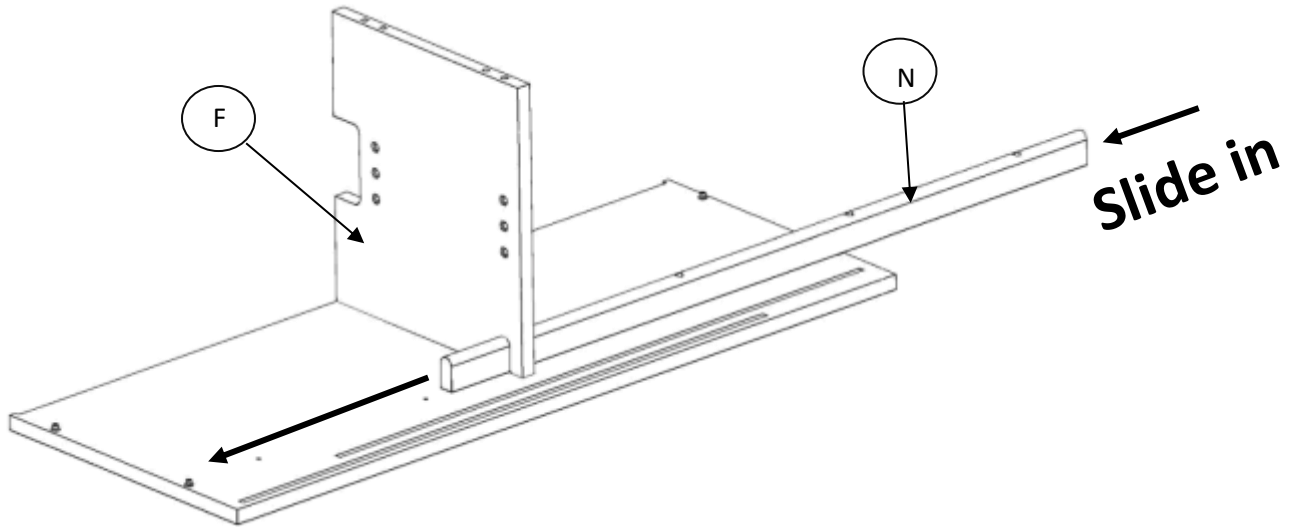


2. Attach **Center Divider (F)** to **Top Panel (D)** by **hooking** the metal plate in the **Center Divider (F)** to mounting screw attached on **Top Panel (D)**, slide forward divider to tighten.
2. Attach **Divider (F)** on to **Top Panel (D)** center part, hook the metal plate in the **Divider (F)** to mounting screw attached on **Top Panel (D)**, slide forward divider to tighten.
2. Attach **Divider (F)** on to **Top Panel (D)** center part, hook the metal plate in the **Divider (F)** to mounting screw attached on **Top Panel (D)**, slide forward divider to tighten.

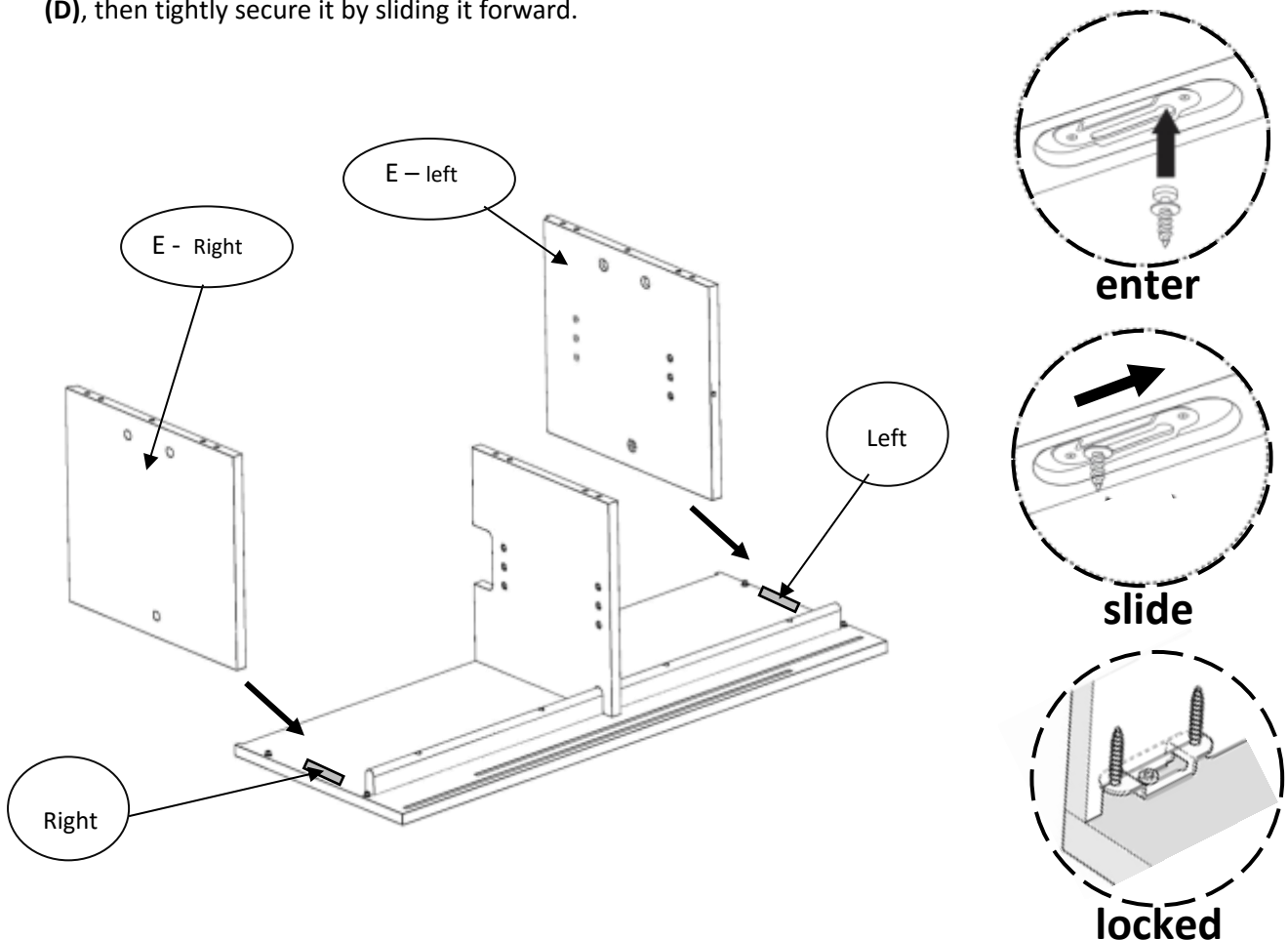


3. Attach the **Top Crossbar (N)** by sliding it to left or right side enter through the **notch on Center Divider (F)**
3. Attach the **Top Crossbar (N)** by sliding it to left or right side enter through the hole **Divider (F)**.

3. Attach the **Top Crossbar (N)** by sliding it to left or right side enter through the hole **Divider (F)**.



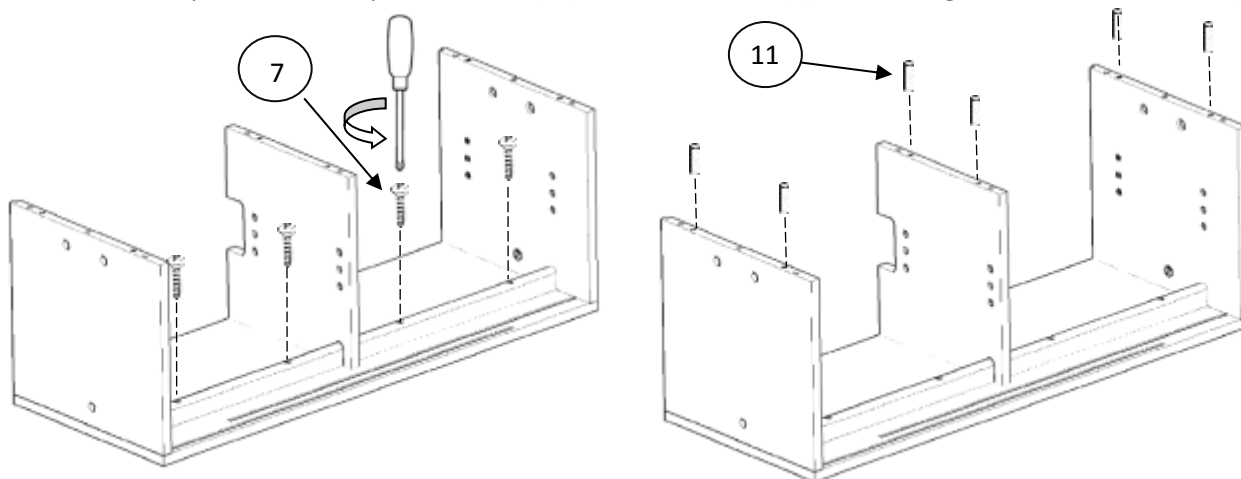
4. Attach the **Right and Left Side Panel (E)** with linking **Mounting Screw (14)** on the side edge of the **Top Panel (D)**, then tightly secure it by sliding it forward.
4. Attach the **Right and Left Side Panel (E)** with linking **Mounting Screw (14)** on the side edge of the **Top Panel (D)**, then tightly secure it by sliding it forward.
4. Attach the **Right and Left Side Panel (E)** with linking **Mounting Screw (14)** on the side edge of the **Top Panel (D)**, then tightly secure it by sliding it forward.



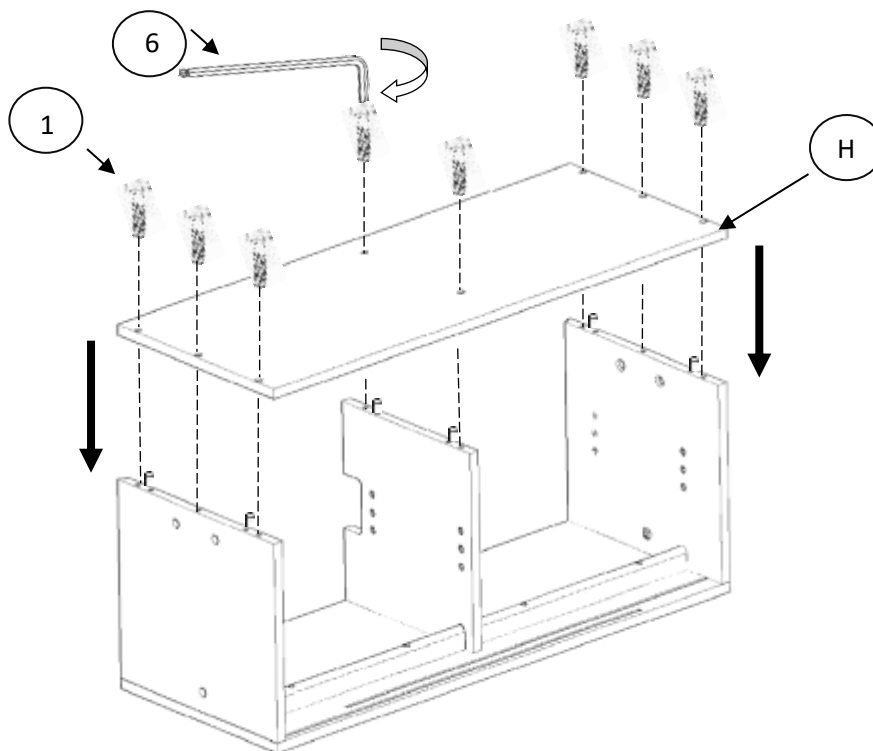
5. Tightly secure **Top Panel Crossbar (N)** using 4pcs of **Screw (7)**, ensure the **Screw (7)** goes through predrilled hole.

after it is completed insert 6 pcs of **Dowel (11)** into the **Divider (F)** and the **Right and Left Side Panel (E)**.

5. Tightly secure **Top Panel Crossbar (N)** using 4pcs of **Screw (7)**, make sure the **Screw (7)** enter to predrilled hole. after it is completed insert 6 pcs of **Dowel (11)** into the **Divider (F)** and the **Right and Left Side Panel (E)**.
5. Tightly secure **Top Panel Crossbar (N)** using 4pcs of **Screw (7)**, make sure the **Screw (7)** enter to predrilled hole. after it is completed insert 6 pcs of **Dowel (11)** into the **Divider (F)** and the **Right and Left Side Panel (E)**.

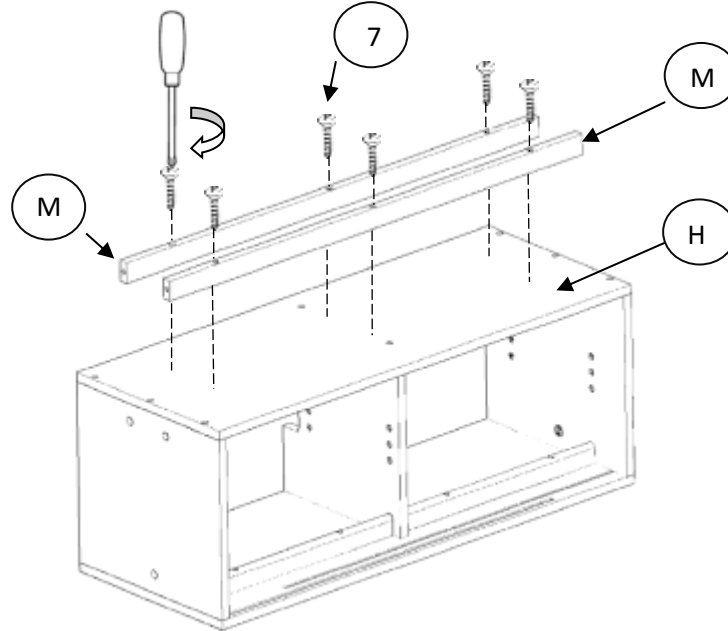


6. Attach **Bottom Panel (H)** to the side panel and divider panel by **aligning** the dowel holes, then fasten with 8pcs of **Allen Bolt (1)** and tighten with **Allen Key (6)**.
6. Attach **Bottom Panel (H)** to the side panel and divider panel by adjusting the dowel holes, then fasten with 8pcs of **Allen Bolt (1)** and tighten with **Allen Key (6)**.
6. Attach **Bottom Panel (H)** to the side panel and divider panel by adjusting the dowel holes, then fasten with 8pcs of **Allen Bolt (1)** and tighten with **Allen Key (6)**.

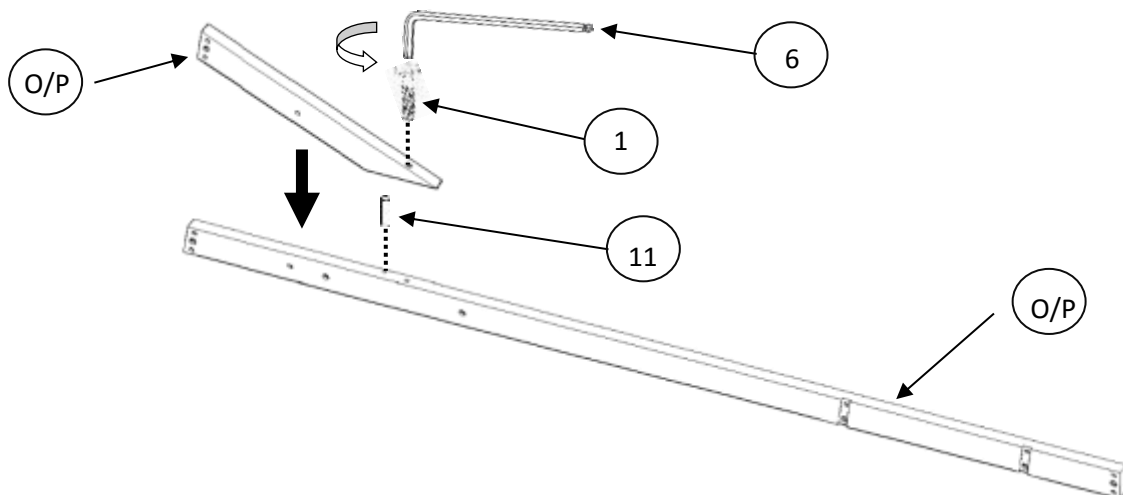


7. Install 2 pcs of **Bottom Panel Crossbar (M)** to the **Bottom Panel (H)**, fasten it with 3 pcs of **Screw (7)** on each crossbar and tighten with a **Screwdriver**.

7. Install 2 pcs of **Bottom Panel Crossbar (M)** to the **Bottom Panel (H)**, fasten it with 3 pcs of **Screw (7)** on each crossbar and tighten with a **Screwdriver**.
7. Install 2 pcs of **Bottom Panel Crossbar (M)** to the **Bottom Panel (H)**, fasten it with 3 pcs of **Screw (7)** on each crossbar and tighten with a **Screwdriver**.

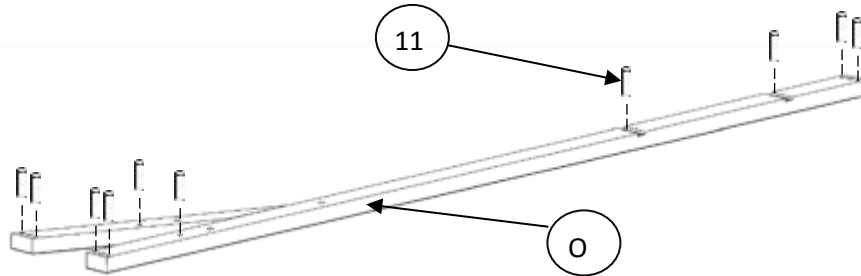


8. After completed installing storage cabinet, next step is to put together the legs. Prepare **Right & Left Post (O&P)** and **Right & Left Rear Post (O&P)**. Attach **Right & Left Rear Post (O&P)** to **Right & Left Post (O&P)** by inserting a **Dowel (11)** into the hole then fasten with **Allen Bolt (1)** and tighten with **Allen Key (6)**.
8. After completed installing storage cabinet, next step is to put together the legs. Prepare **Right & Left Post (O&P)** and **Right & Left Rear Post (O&P)**. Attach **Right & Left Rear Post (O&P)** to **Right & Left Post (O&P)** by inserting a **Dowel (11)** into the hole then fasten with **Allen Bolt (1)** and tighten with **Allen Key (6)**.
8. After completed installing storage cabinet, next step is to put together the legs. Prepare **Right & Left Post (O&P)** and **Right & Left Rear Post (O&P)**. Attach **Right & Left Rear Post (O&P)** to **Right & Left Post (O&P)** by inserting a **Dowel (11)** into the hole then fasten with **Allen Bolt (1)** and tighten with **Allen Key (6)**.

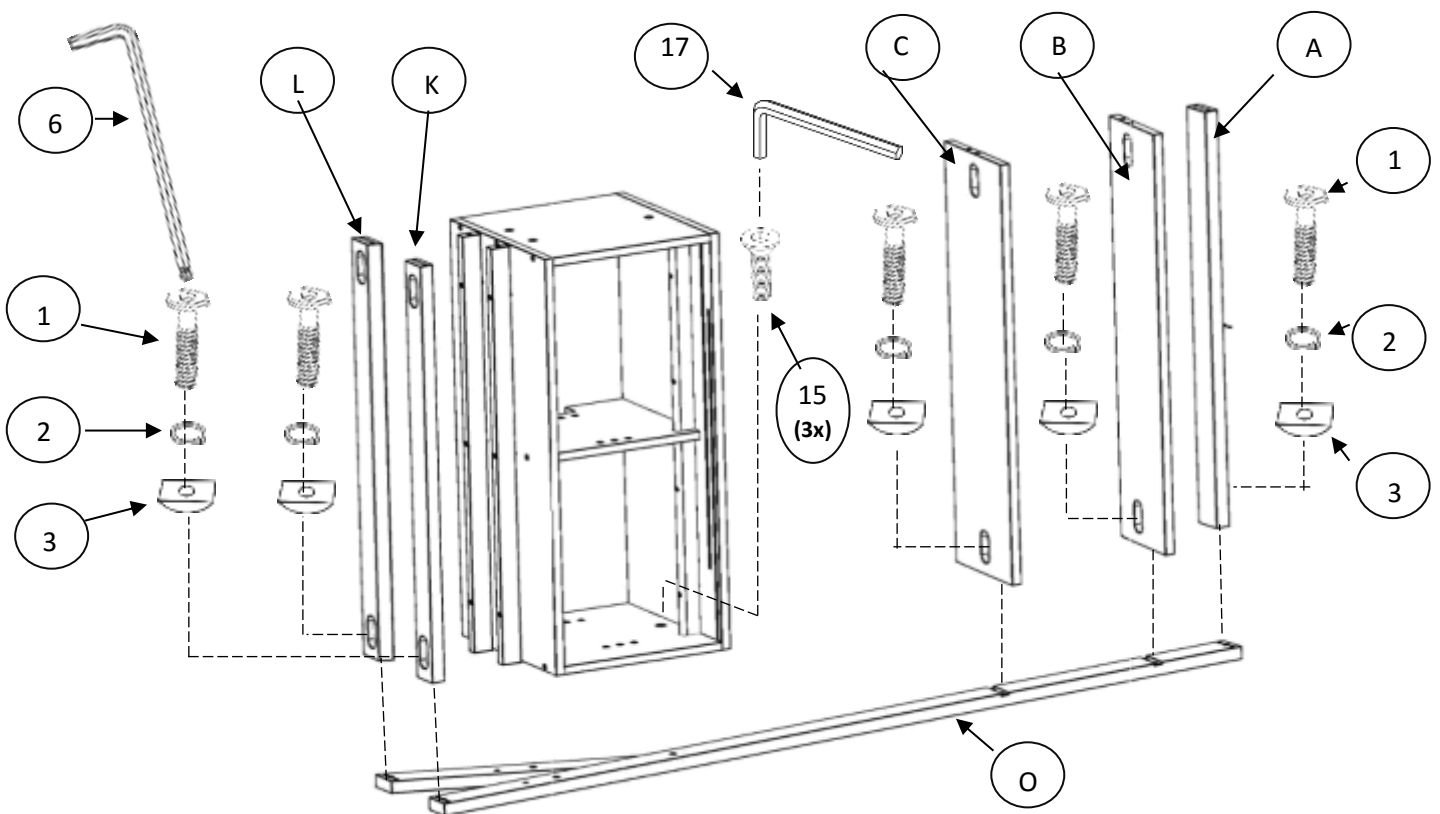


9. Prepare **assembled Left Post (O)** by installing 10pcs of **Dowel (11)** into the holes as shown below.

9. Prepare **Left Post (O)** that already assembled then install 10pcs of **Dowel (11)** into the hole as per shown on below images.
9. Prepare **Left Post (O)** that already assembled then install 10pcs of **Dowel (11)** into the hole as per shown on below images.

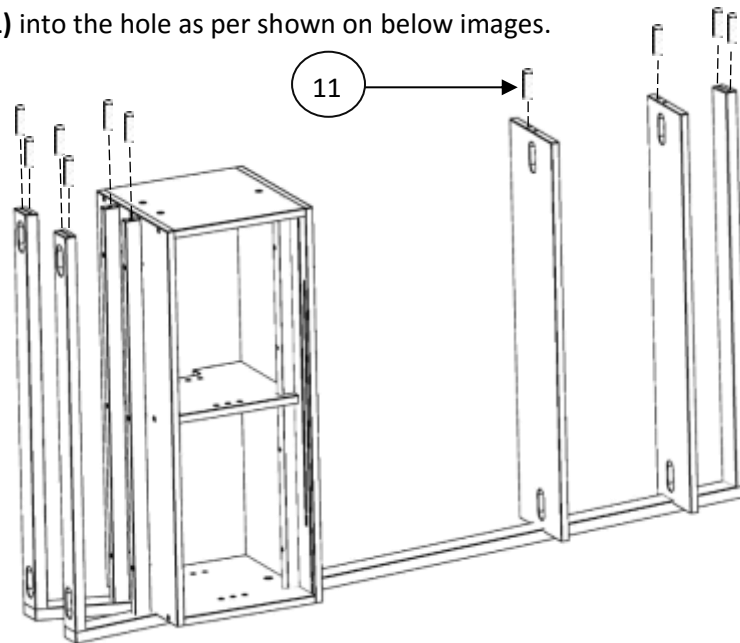


10. Take **Front Bottombar (K), Rear Bottombar (L), Storage Cabinet, Middle Shelf (C), Top Shelf (B), Topbar (A)** attached into **Left Post (O)** as per images shown below, lock down using **Allen Bolt (1), Spring Washer (2) & Halfmoon Washer (3)** and tighten it using **Allen Key 4mm (6)**.
For storage cabinet lock down using 3pcs of **JF Bolt (15)** and tighten it using **Allen Key 5mm (17)**.
10. Take **Front Bottombar (K), Rear Bottombar (L), Storage Cabinet, Middle Shelf (C), Top Shelf (B), Topbar (A)** attached into **Left Post (O)** as per images shown below, lock down using **Allen Bolt (1), Spring Washer (2) & Halfmoon Washer (3)** and tighten it using **Allen Key 4mm (6)**.
For storage cabinet lock down using 3pcs of **JF Bolt (15)** and tighten it using **Allen Key 5mm (17)**.
10. Take **Front Bottombar (K), Rear Bottombar (L), Storage Cabinet, Middle Shelf (C), Top Shelf (B), Topbar (A)** attached into **Left Post (O)** as per images shown below, lock down using **Allen Bolt (1), Spring Washer (2) & Halfmoon Washer (3)** and tighten it using **Allen Key 4mm (6)**.
For storage cabinet lock down using 3pcs of **JF Bolt (15)** and tighten it using **Allen Key 5mm (17)**.



11. Insert 10pcs of **Dowel (11)** into the hole as per shown on below images.
11. Insert 10pcs of **Dowel (11)** into the hole as per shown on below images.

11. Insert 10pcs of **Dowel (11)** into the hole as per shown on below images.



12. Attach Right Post as per images below, lock down using **Allen Bolt (1)**, **Spring Washer (2)** & **Halfmoon Washer (3)** and tighten it using **Allen Key 4 mm (6)**.

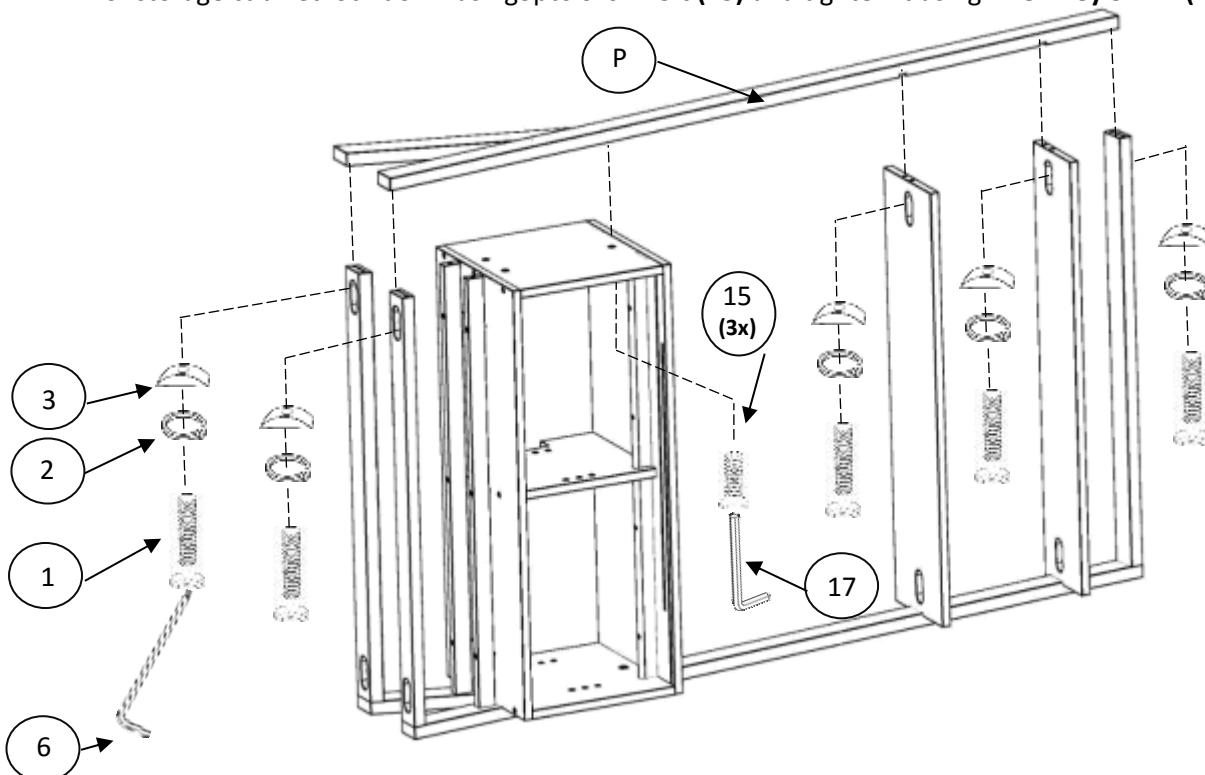
For storage cabinet lock down using 3pcs of **JF Bolt (15)** and tighten it using **Allen Key 5 mm (17)**.

12. Attach Right Post as per images below, lock down using **Allen Bolt (1)**, **Spring Washer (2)** & **Halfmoon Washer (3)** and tighten it using **Allen Key 4 mm (6)**.

For storage cabinet lock down using 3pcs of **JF Bolt (15)** and tighten it using **Allen Key 5 mm (17)**.

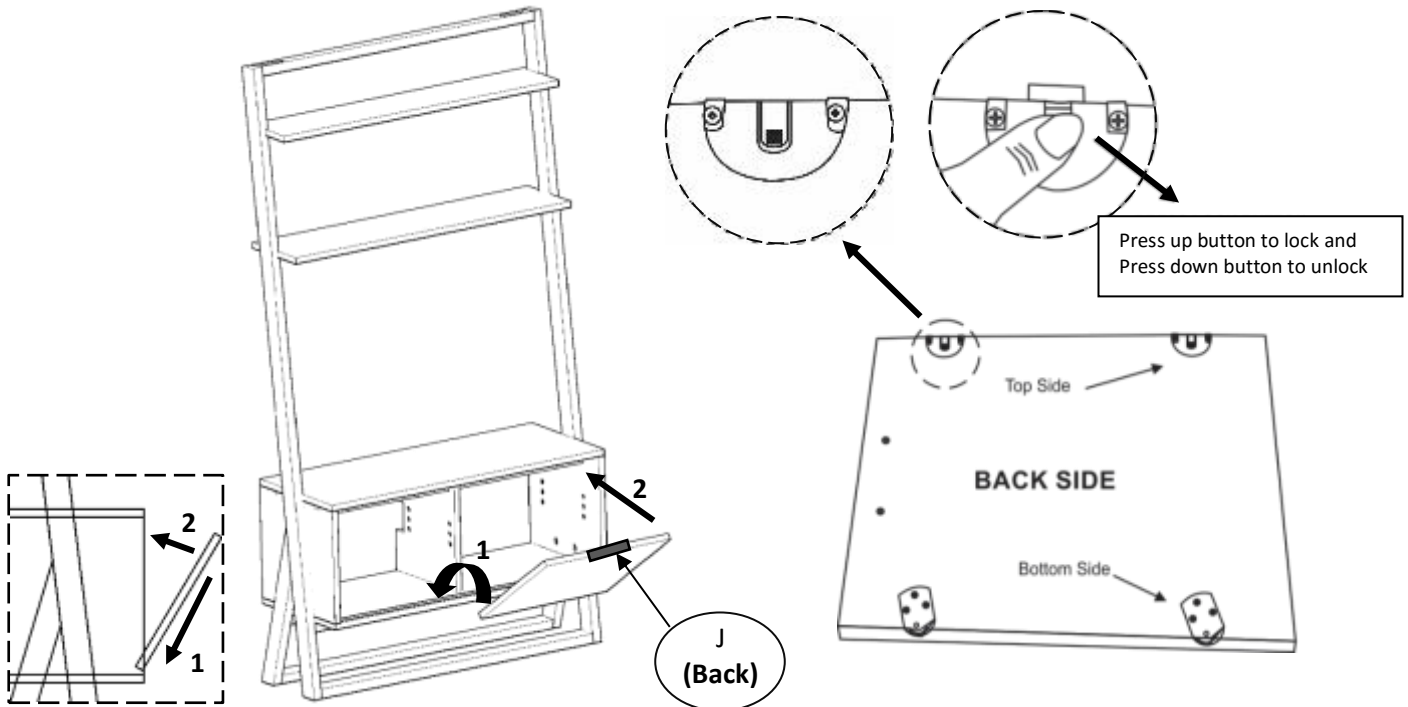
12. Attach Right Post as per images below, lock down using **Allen Bolt (1)**, **Spring Washer (2)** & **Halfmoon Washer (3)** and tighten it using **Allen Key 4 mm (6)**.

For storage cabinet lock down using 3pcs of **JF Bolt (15)** and tighten it using **Allen Key 5 mm (17)**.

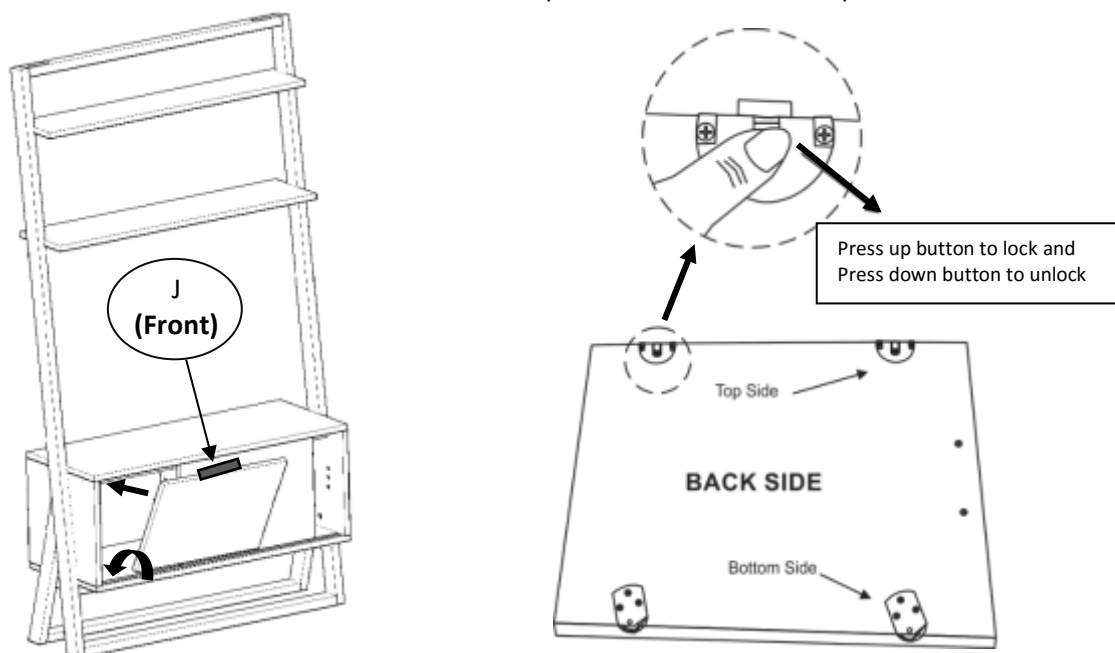


13. Install the **Back Door (J)**, put bottom side 1st to rail then continues by pushing top side into the top rail, Push up the button on the door hardware into the top rail to hold & lock the door in place.

13. Install the **Back Door (J)**, put bottom side 1st to rail then continues by pushing top side into the top rail, Push up the button on the door hardware into the top rail to hold & lock the door in place.
13. Install the **Back Door (J)**, put bottom side 1st to rail then continues by pushing top side into the top rail, Push up the button on the door hardware into the top rail to hold & lock the door in place.

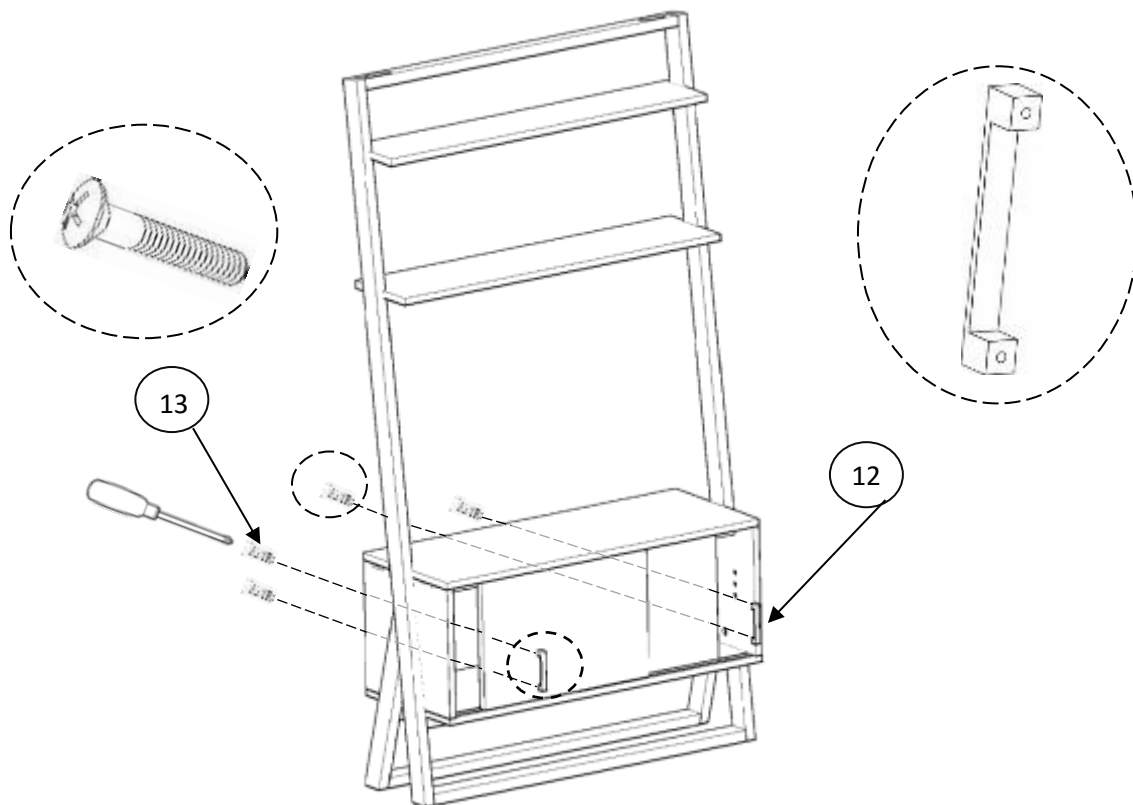


14. Install the **Front Door (J)**, put bottom side 1st to rail then continues by pushing top side into the top rail, Push up the button on the door hardware into the top rail to hold the door in place.
14. Install the **Front Door (J)**, put bottom side 1st to rail then continues by pushing top side into the top rail, Push up the button on the door hardware into the top rail to hold the door in place.
14. Install the **Front Door (J)**, put bottom side 1st to rail then continues by pushing top side into the top rail, Push up the button on the door hardware into the top rail to hold the door in place.



15. Attach the **Handle (12)** to both doors, lock handle using 2pcs of **Bolt (13)** and tighten it using **Screwdriver**.
15. Attach the **Handle (12)** to both doors, lock handle using 2pcs of **Bolt (13)** and tighten it using **Screwdriver**.

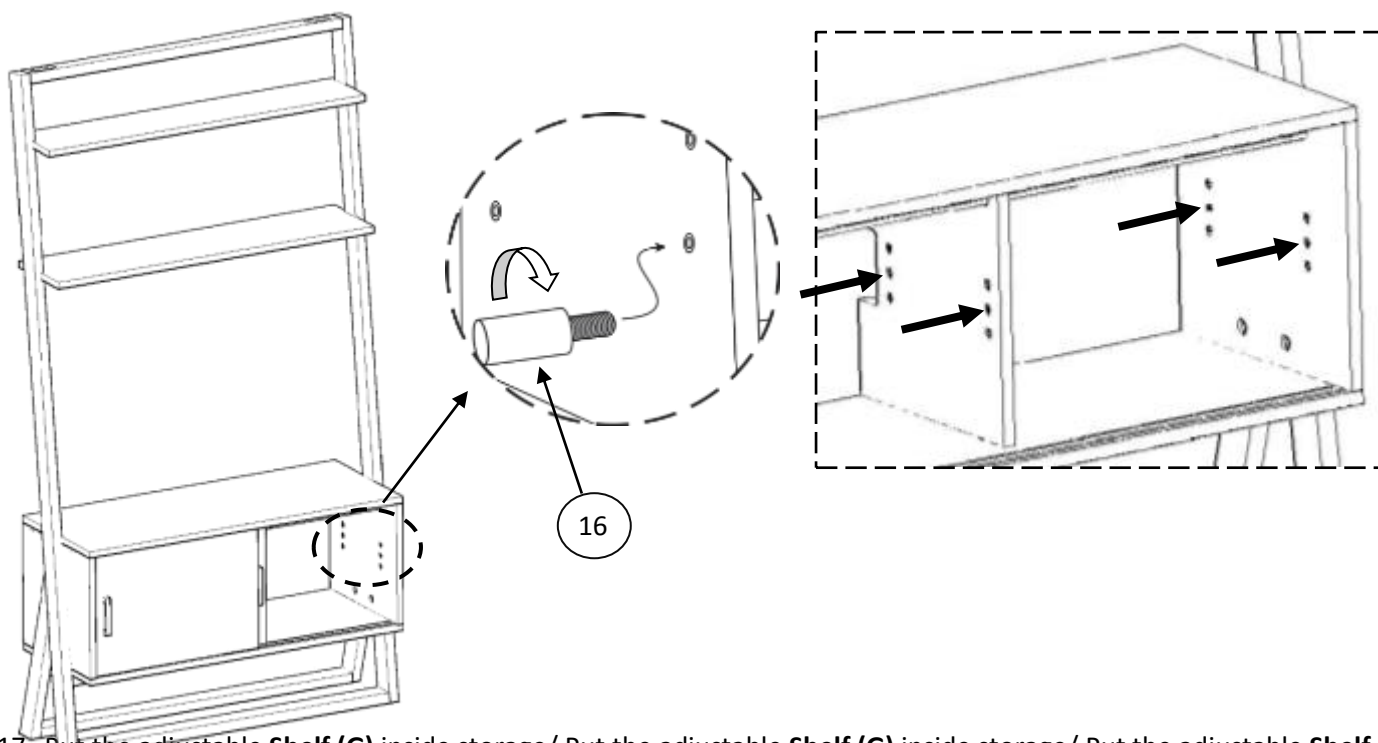
15. Attach the **Handle (12)** to both doors, lock handle using 2pcs of **Bolt (13)** and tighten it using **Screwdriver**.



16. Attach 8pcs of **Pin Shelf (16)** into the **Side Panels and Divider**.

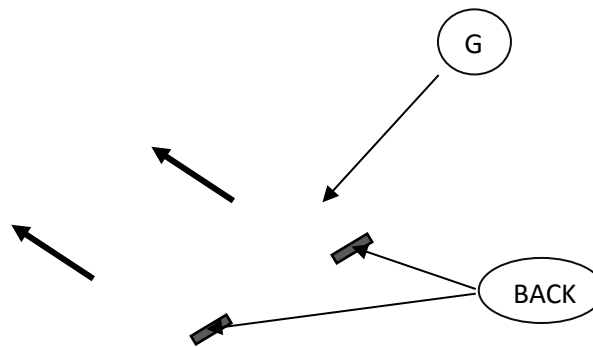
16. Attach 8pcs of **Pin Shelf (16)** into the **Side Panels and Divider**.

16. Attach 8pcs of **Pin Shelf (16)** into the **Side Panels and Divider**.

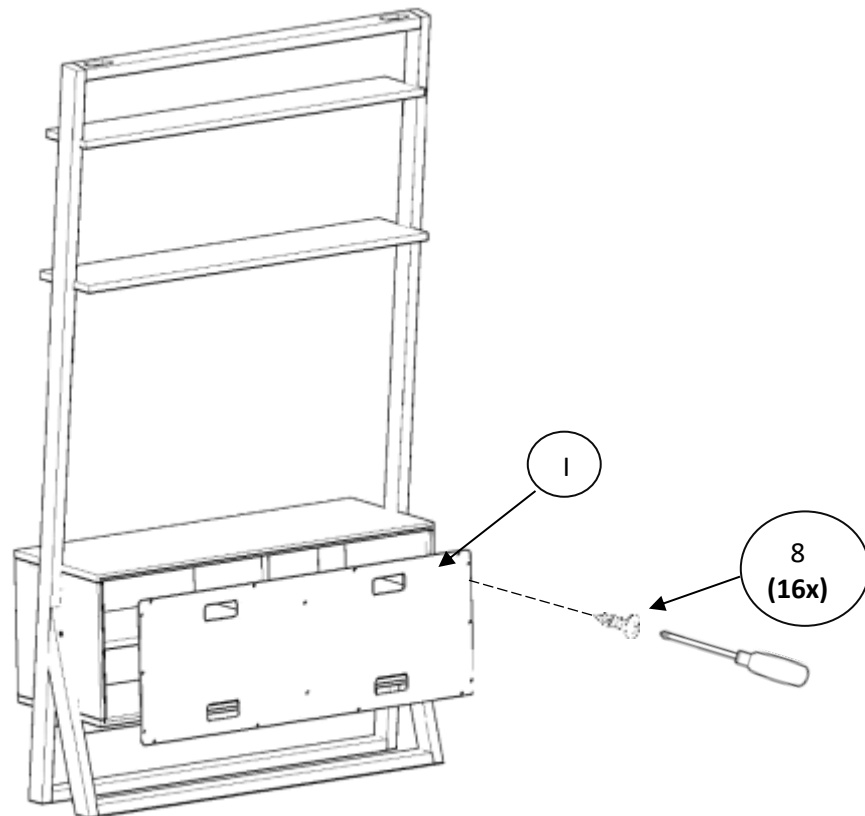


17. Put the adjustable **Shelf (G)** inside storage/ Put the adjustable **Shelf (G)** inside storage/ Put the adjustable **Shelf (G)** inside storage.





18. Install the **Back Panel (I)** using 16pcs of **Screw (8)** and tighten it using **Screwdriver**/ Install the **Back Panel (I)** using 16pcs of **Screw (8)** and tighten it using **Screwdriver** / Install the **Back Panel (I)** using 16pcs of **Screw (8)** and tighten it using **Screwdriver**.



19. For securing the Ladder Shelf Media Console from tipping.
Drill the wall with **1/4" Drill Bit** and install the **Stud-Solver Anchor (4)**, align the **Mounting Plate (5)** on the **Middle Shelf (C)** to the **Stud-Solver Anchor (4)** on the wall.

Secure using **Screws (8)** and tighten with **Screwdriver**.

19. For securing the Ladder Shelf Media Console from tipping.

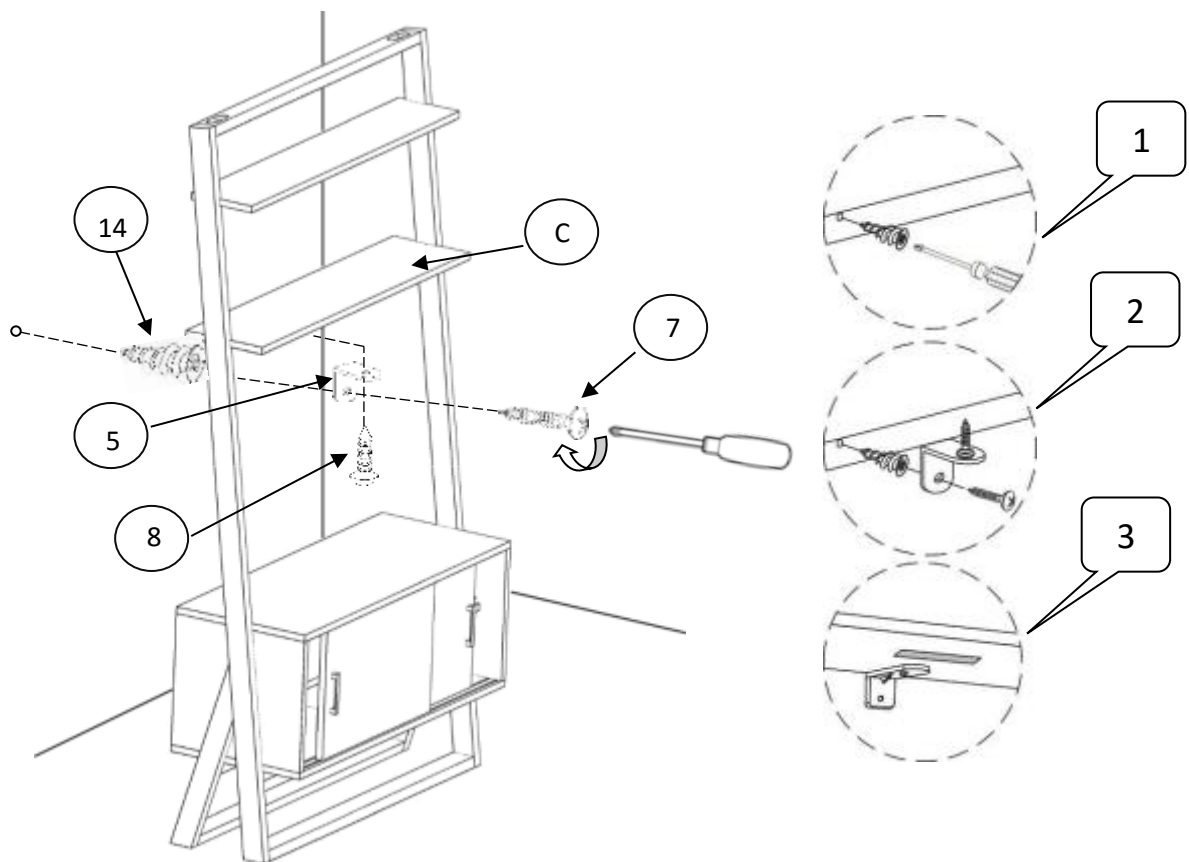
Drill the wall with **1/4" Drill Bit** and install the **Stud-Solver Anchor (4)**, align the **Mounting Plate (5)** on the **Middle Shelf (C)** to the **Stud-Solver Anchor (4)** on the wall.

Secure using **Screws (8)** and tighten with **Screwdriver**.

19. For securing the Ladder Shelf Media Console from tipping.

Drill the wall with **1/4" Drill Bit** and install the **Stud-Solver Anchor (4)**, align the **Mounting Plate (5)** on the **Middle Shelf (C)** to the **Stud-Solver Anchor (4)** on the wall.

Secure using **Screws (8)** and tighten with **Screwdriver**.



PLUSIEURS ÉTAGÈRES MURALES INCLINÉES/ASSEMBLAGE DU BUREAU
ENSAMBLAJE DE ESCRITORIO INCLINADO DE PARED CON MÚLTIPLES ESTANTES

20. If you purchased multiple leaning items, it is suggested that every two or more item be secured together. As shown, connect every 2 units with 2 **connecting plates**. Attach each plate with 4 **medium screws** using a screwdriver. Repeat steps for each additional leaning unit item.
20. Si vous avez acheté plusieurs objets inclinés, il est suggéré de fixer deux ou plusieurs objets ensemble. Comme illustré, connecter chaque 2 unités à l'aide de 2 **cales de montage**. Fixer chaque cale avec 4 **vis moyennes** à l'aide d'un tournevis. Répéter les étapes pour chaque objet incliné supplémentaire.
20. Si compró múltiples artículos inclinados, se recomienda asegurar cada dos o más artículos juntos. Como se muestra, conectar cada dos unidades con 2 **placas de conexión**. Fijar cada placa con 4 **tornillos medios** y un destornillador. Repetir los pasos para cada unidad inclinada adicional del artículo.

From the back side, align the holes on the metal plate to the corresponding holes on the back frame, secure using screws and tighten with screw driver.

À partir de la partie arrière, aligner les trous sur la plaque métallique aux trous correspondants sur le cadre arrière, fixer à l'aide des vis et serrer à l'aide du tournevis.

Desde la parte trasera, alinear los orificios en la placa de metal con los orificios correspondientes en la estructura trasera, asegurar con tornillos y ajustar con un destornillador.

