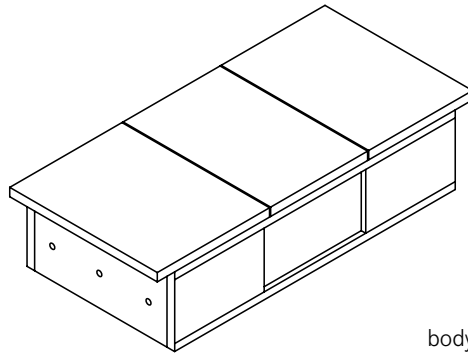


! Tools required: 

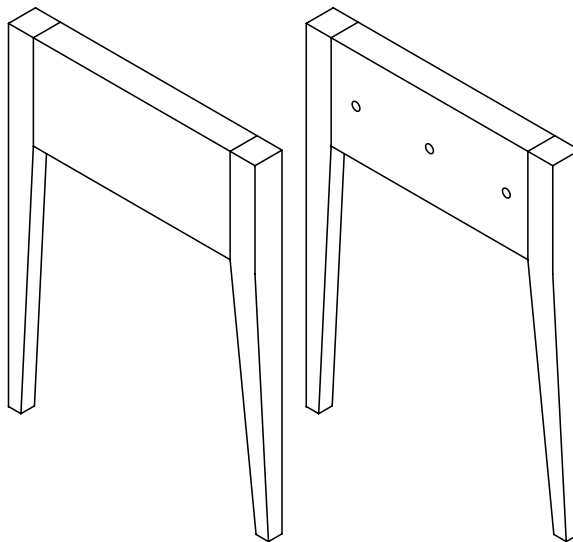
! Do not throw away packaging materials until assembly is complete.

! Assemble this item on a soft surface, such as cardboard or carpet, to protect finish

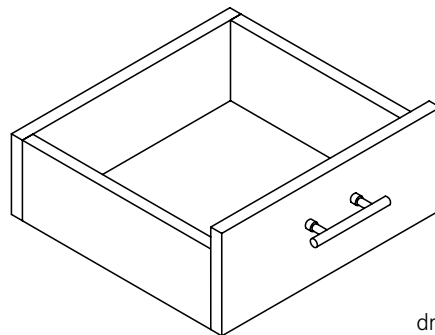
! Proper assembly of this item requires 2 people.



body

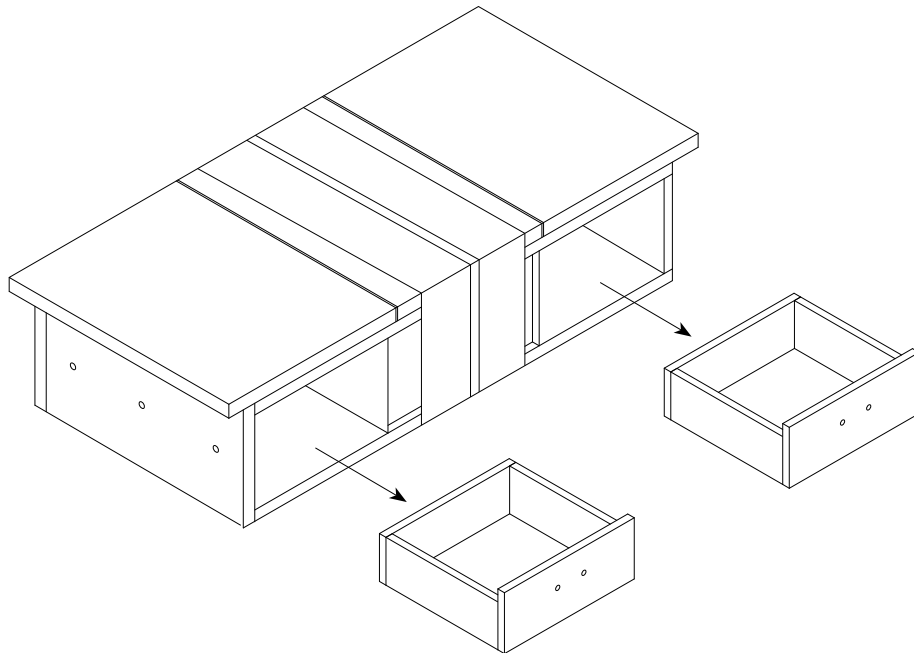


left and right leg frame

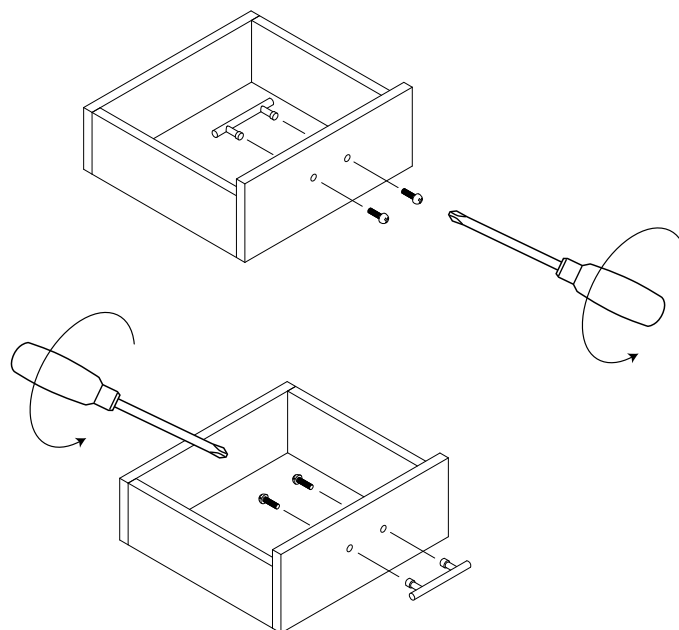


drawer

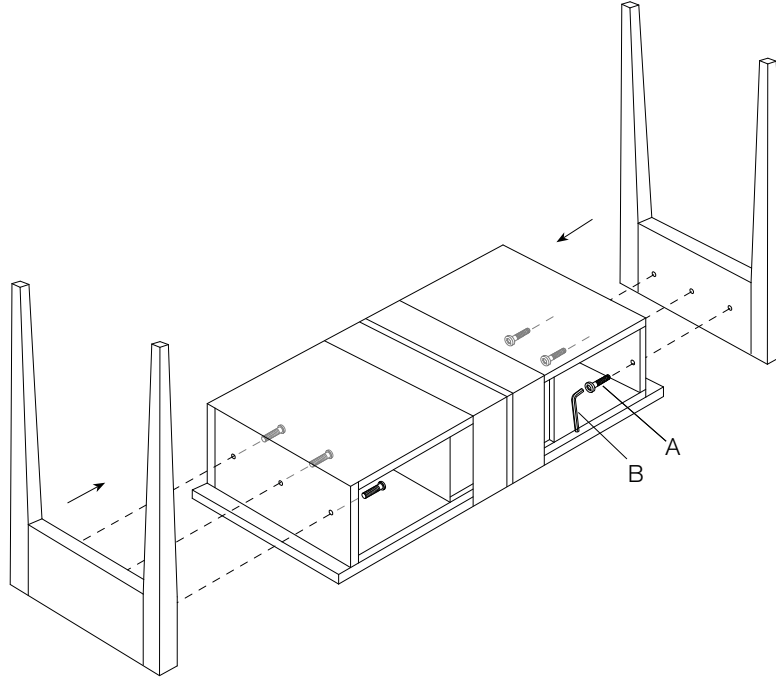
1. Remove drawers from vanity as shown.



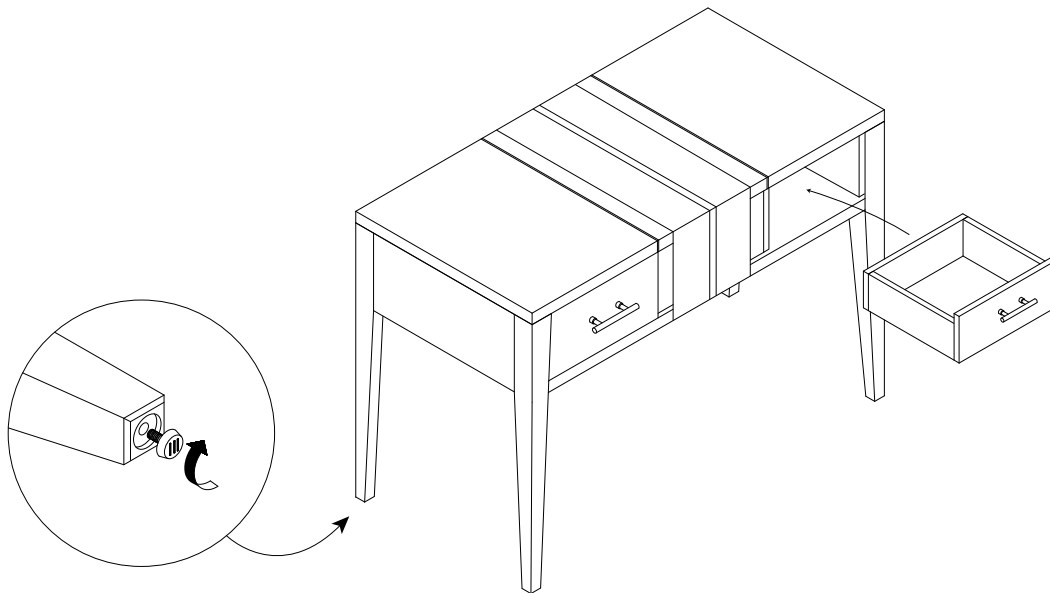
2. Using screwdriver remove handle from inside of drawer as shown. Reverse handles and screws as shown. Tighten using screwdriver.



3. Insert short bolt (A) through predrilled hole in side wall of vanity and into leg rail as shown. Tighten using allen key (B).



4. Replace drawers and remove plastic strap and foam sheet.
5. Adjust levelers as needed to prevent tipping.



CARE INSTRUCTIONS

Hardware may loosen over time. Periodically check that all connections are tight.
Wipe with a soft, dry cloth. To protect finish, avoid the use of chemicals and household cleaners