

LED Overarching Boom Arm Floor Lamp Assembly Instructions

Important Safety Instructions:

- These instructions are provided for your safety. It is very important that they are read carefully and completely before beginning the assembly and installation of this lighting fixture.
- For your safety and convenience, it is strongly recommended that two people install the lighting fixture.
- **Build-in LED is NON-REPLACEABLE.**
- This lamp is meant for indoor use.
- **Save these instructions.**

WARNING:

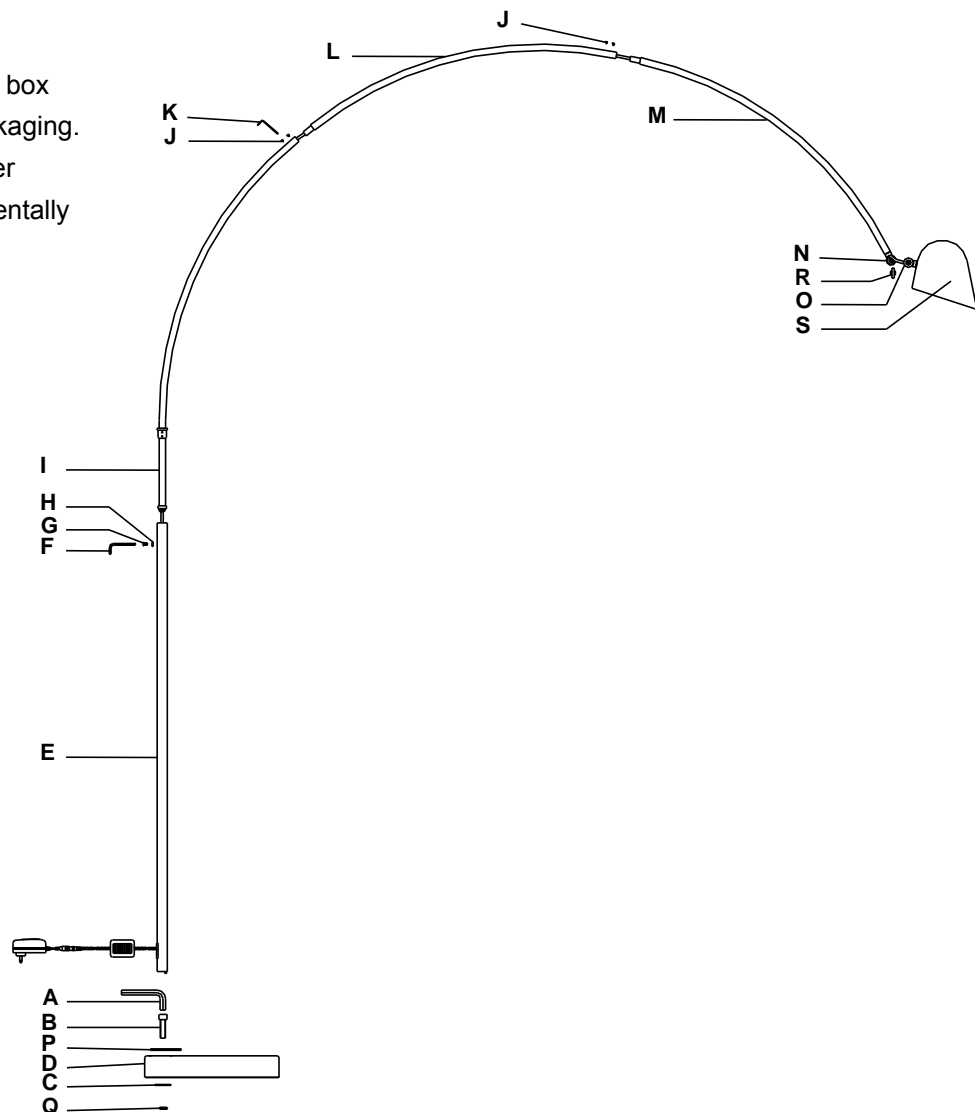
- **Do not touch LED's when fixture is turned on. Do not look directly at lit LED's.**
- **Keep flammable materials away from lit bulb.**

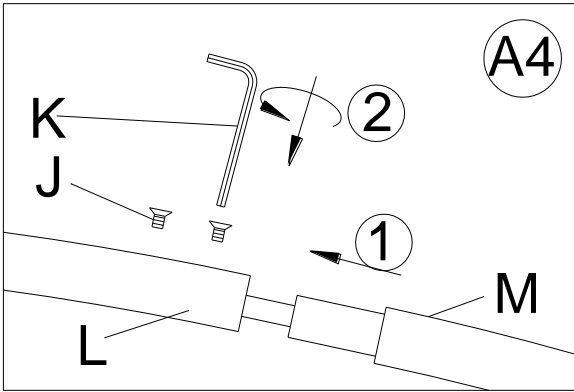
Pre-assembly:

- Remove all parts and hardware from box along with any plastic protective packaging.
- Do not discard any contents until after assembly is complete to avoid accidentally discarding small parts or hardware.

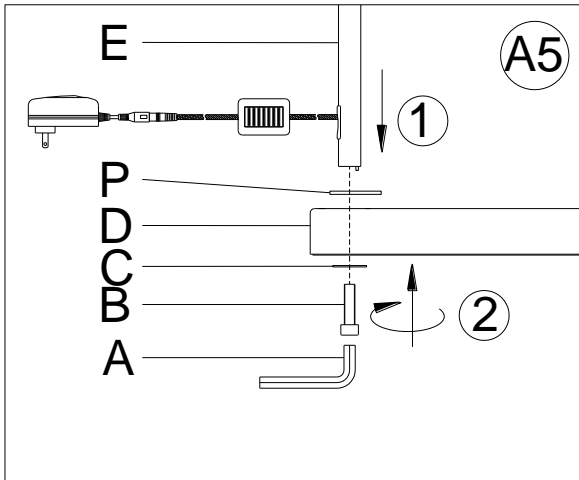
Parts Included:

- (B) Large Allen Screw (1)
- (C) Metal Washer (1)
- (D) Lamp Base (1)
- (E) Lower Tube (1)
- (G) Medium Allen Screw (1)
- (H) Round Nut (1)
- (I) Upper Curved Tube (1)
- (J) Set screws (5) (include 1pc spared)
- (L) Middle Curved Tube (1)
- (M) Top Curved Tube (1)
- (N) Metal swivel on right (1)
- (O) Metal swivel on left (1)
- (P) Metal Plate (1)
- (Q) Hex Nut (1)
- (S) Metal Shade (1)

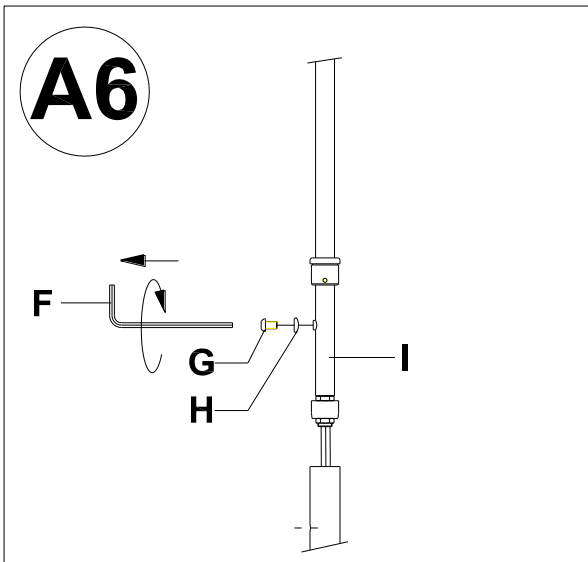




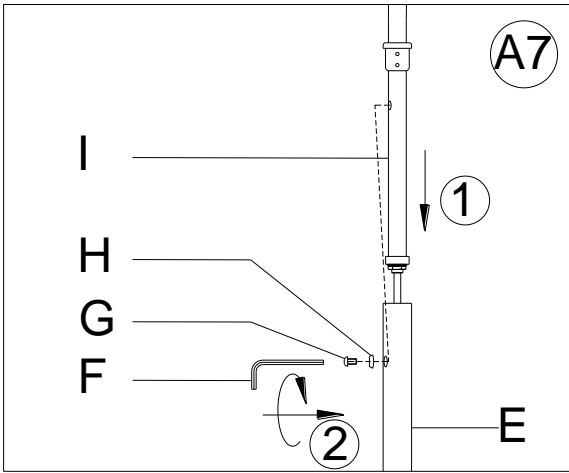
4. Insert the Top Curved Tube (M) into the Middle Curved Tube (L), aligning the screw holes on Top Curved Tube (M) with the holes on Middle Curved Tube (L). Secure the Set Screws (J) into the holes on Upper Curved Tube (M) using Small Allen Key (K) until tight.



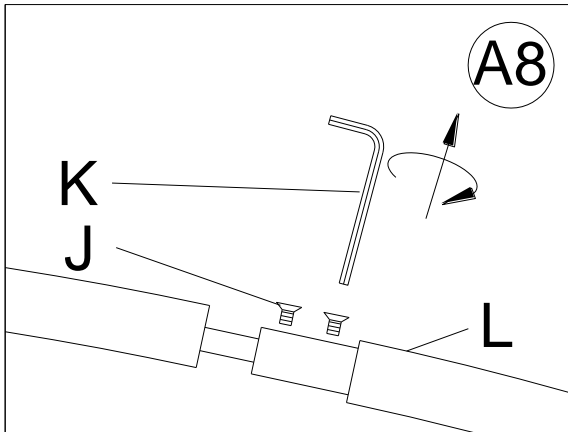
5. Attach the Lower Tube (E) onto the Lamp Base (D). Insert the Large Allen Screw (B) with Metal Washer (C) into the bottom threaded hole of the Lamp Base (D) and Lower Tube (E). Rotate the Large Allen Screw (B) clockwise using Large Allen Key (A) until tight.



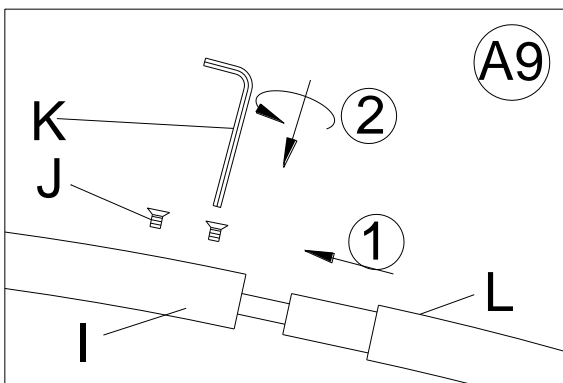
6. Loosen the Medium Allen Screw (G) and Round Nut (H) from Upper Curved Tube (I) using the Medium Allen Key (F).



7. Insert the Upper Curved Tube (I) into the Lower Tube (E), and aligning the screw hole on Upper Curved Tube (I) with the hole on the Lower Tube (E). Secure Medium Allen Screw (G) and Round Nut (H) onto the Lower Tube (E) using the Medium Allen Key (F) until tight.



8. Loosen the Set Screws (J) from the Middle Curved Tube (L) using the Small Allen Key (K).



9. Insert the Middle Curved Tube (L) into the Upper Curved Tube (I), aligning the screw holes on Middle Curved Tube (L) with the holes on the Upper Curved Tube (I). Secure the Set Screws (J) into the holes on the Upper Curved Tube (I) using Small Allen Key (K) until tight.

FCC COMPLIANCE:

NOTE: This equipment has been tested and found to comply with the limits for a Class B digital device, pursuant to Part 15 of the FCC Rules. These limits are designed to provide reasonable protection against harmful interference in a

residential installation. This equipment generates uses and can radiate radio frequency energy and, if not installed and used in accordance with the instructions, may cause harmful interference to radio communications. However, there is no guarantee that interference will not occur in a particular installation. If this equipment does cause harmful interference to radio or television reception, which can be determined by turning the equipment off and on, the user is encouraged to try to correct the interference by one or more of the following measures:

- Reorient or relocate the receiving antenna.
- Increase the separation between the equipment and receiver.
- Connect the equipment into an outlet on a circuit different from that to which the receiver is connected.
- Consult the dealer or an experienced radio/TV technician for help.

This device complies with Part 15 of the FCC Rules. Operation is subject to the following two conditions: (1) This device may not cause harmful interference, and (2) This device must accept any interference received, including interference that may cause undesired operation. Caution: changes or modifications not expressly approved by the party responsible for compliance could void the user's authority to operate the equipment.

IC COMPLIANCE:

CAN ICES-005(B)/NMB-005(B)

Care instructions:

- Wipe clean with a soft, dry cloth or static duster.
- Always avoid the use of harsh chemicals or abrasive cleaners as they may cause damage to the fixture's finish

Thank you for your purchase
Stores | catalog | www.westelm.com
USA 888-922-4119