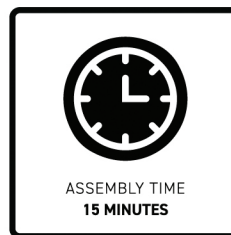




Assembly Guide and User Manual

Secretlab L-Shaped Desk Extension

FOR SECRETLAB MAGNUS



Caution	1
Use and liability	1
Usage and safety instructions	1
Technical specifications	2
What's in the box	3
Assembly tool kit	3
Before you start	4
How to configure your desk	4
Assembly guide	5
Preparing your Secretlab MAGNUS	5
Assembling the L-shaped Desk Extension	7
Installing the Desk Extension	11
How to use	15
Secretlab MAGPAD™ Desk Mat	15
Mounting a monitor arm	15
Cable management	16
Rear Hinged Cover	16

CAUTION



PLEASE READ BEFORE INSTALLING

This user manual contains important safety regulations. Any non-conforming use may result in personal injury or mechanical damage. Please read this user manual carefully before use as it provides key information about safety, use, assembly and maintenance of the Secretlab L-Shaped Desk Extension.

Ensure that you have received all parts according to the part checklist prior to installation. If any parts are missing or faulty, contact the Secretlab support team for replacements. The Secretlab L-Shaped Desk Extension is to be assembled by at least two people. This product contains small items that could be a choking hazard if swallowed. Keep these items away from children and pets. Do not overtighten the screws during installation.

Do not exceed the maximum load capacity of the extension table top (100kg). Do not wobble the desk extension forcefully on purpose. The Secretlab L-Shaped Desk Extension is designed for indoor use only. Using the product outdoors could lead to product failure and personal injury. Place the desk extension away from corrosive gas, water and dusty environment. Alteration or modding of any factory components outlined in the part checklist will automatically void your warranty.

USE AND LIABILITY



The Secretlab L-Shaped Desk Extension is designed for indoor use and dry work areas only. Under no circumstances does the manufacturer accept warranty claims or liability claims for damages caused from improper use or handling of the extension desk. For warranty terms and service or any other queries, scan the QR code or visit our website secretlab.co/support.

USAGE AND SAFETY INSTRUCTIONS



This desk is not intended for use by children without adult supervision.



Do not stand on the desk.



Do not exceed the maximum load capacity stated for the table top and rear cover.



Do not sit on the desk.



Do not adjust the desk height when there is heavy load on top.



Do not drag the desk across the floor.

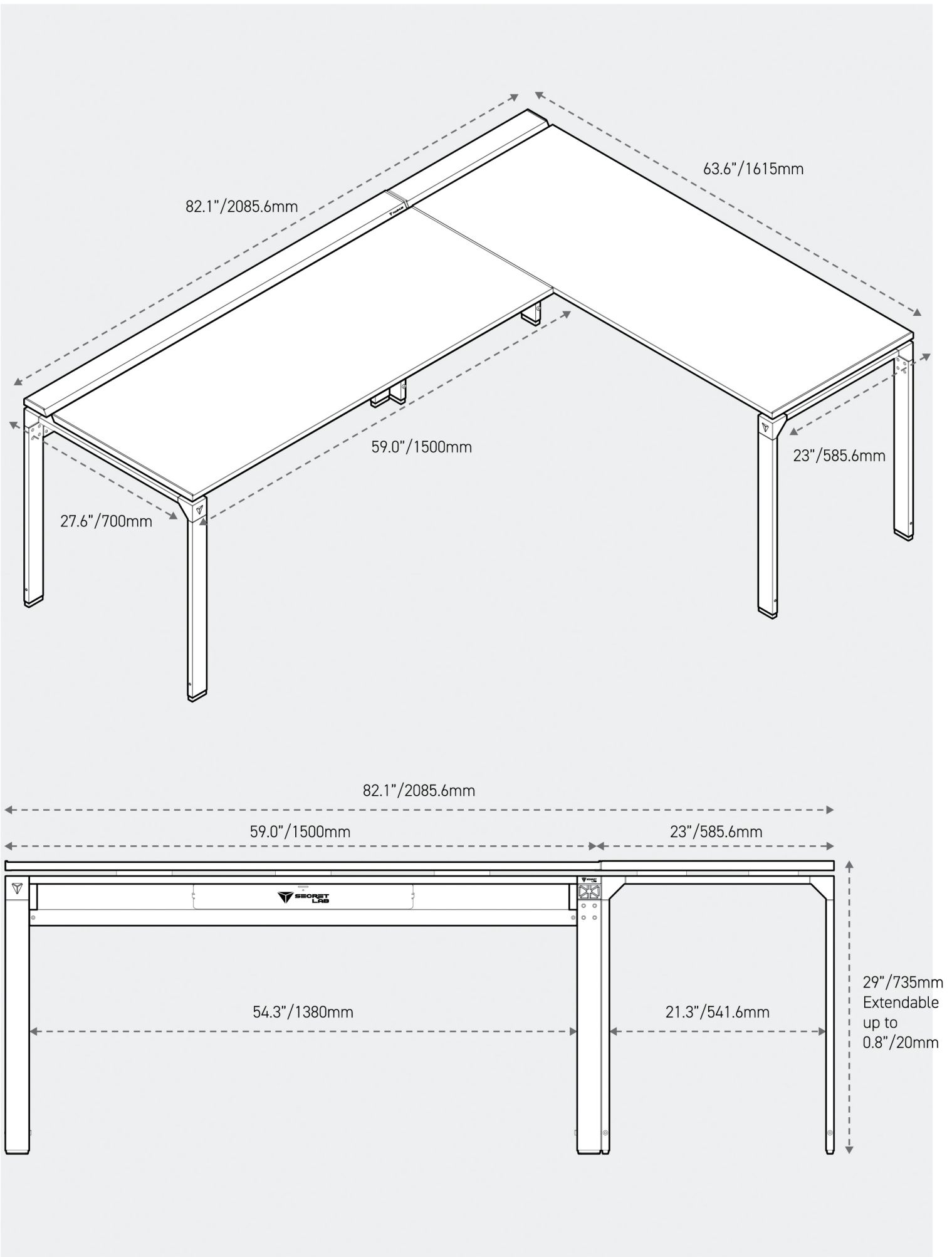


Do not use the desk as a cutting surface.



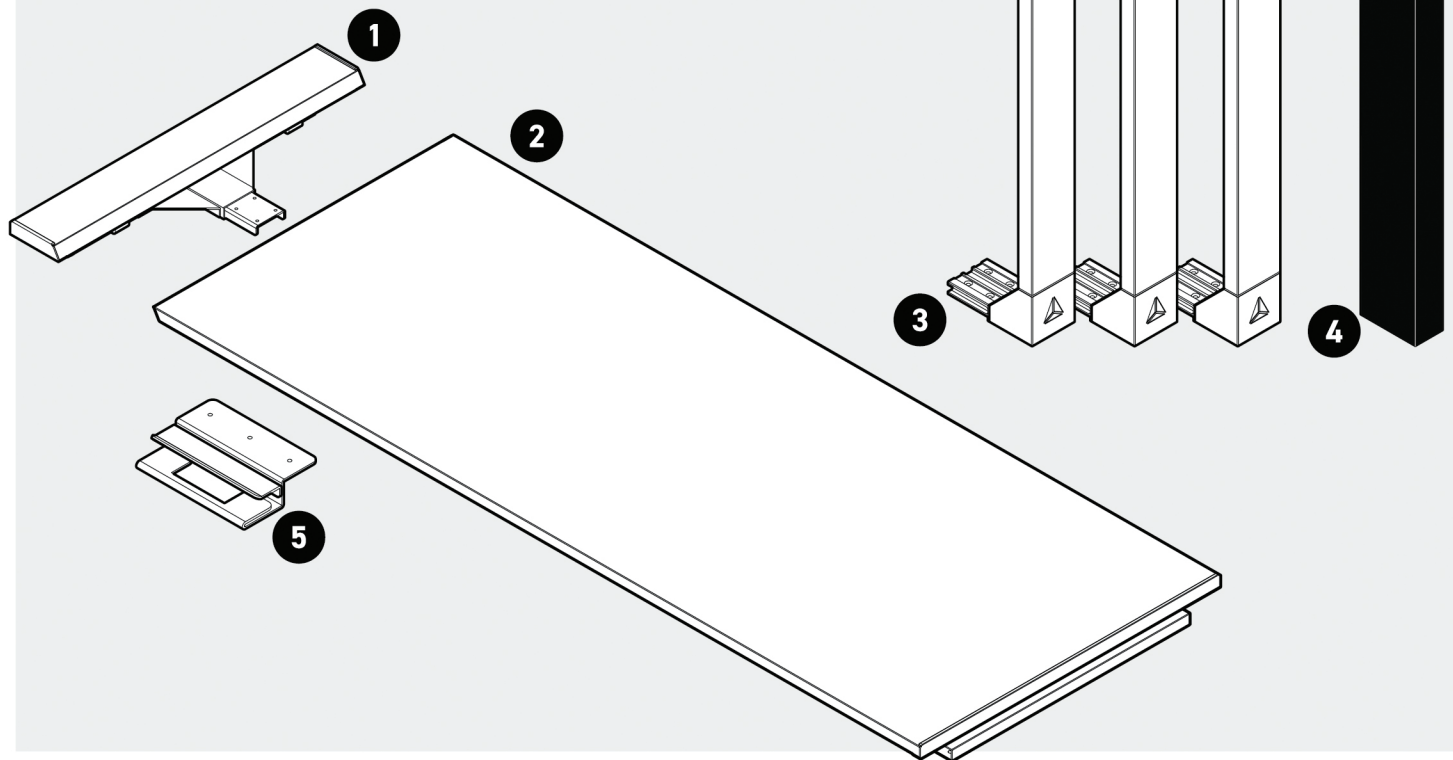
Do not place your hand or fingers between the rear cover and table top.

TECHNICAL SPECIFICATIONS



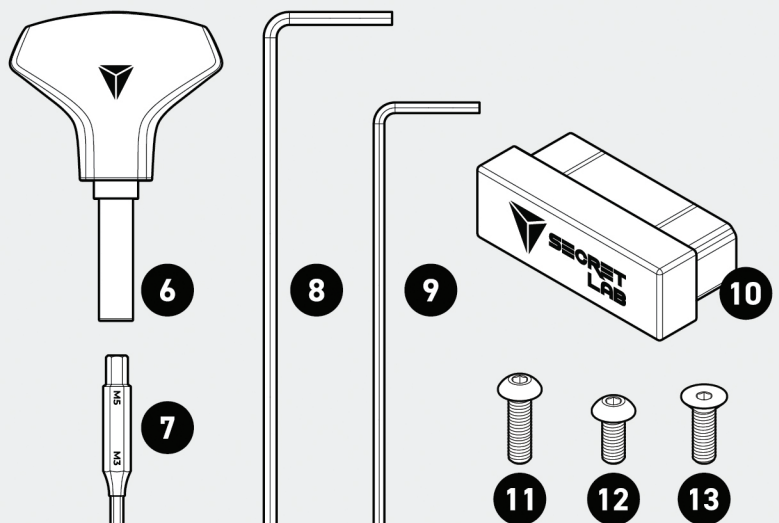
WHAT'S IN THE BOX

- 1. Secretlab L-Shaped Desk Extension Rear Hinged Cover **x1**
- 2. Secretlab L-Shaped Desk Extension Table Top **x1**
- 3. Secretlab L-Shaped Desk Extension Table Leg **x3**
- 4. Cardboard Support Column **x1**
- 5. Connecting Bracket **x1**



ASSEMBLY TOOL KIT

- 6. Magnetic Screwdriver Handle **x1**
- 7. Reversible Philips + Hex Screw Bit **x1**
- 8. M5 Height Adjustment Allen Key **x1**
- 9. M3 Main Allen Key **x1**
- 10. Finishing Cap **x1**
- 11. M5x18 Long Pan Head Screw **x4**
- 12. M5x9 Short Pan Head Screw **x3**
- 13. M5x16 Flat Head Screw **x12**



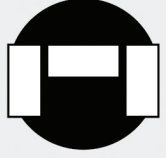
BEFORE YOU START



Remove all items from your Secretlab MAGNUS before starting.

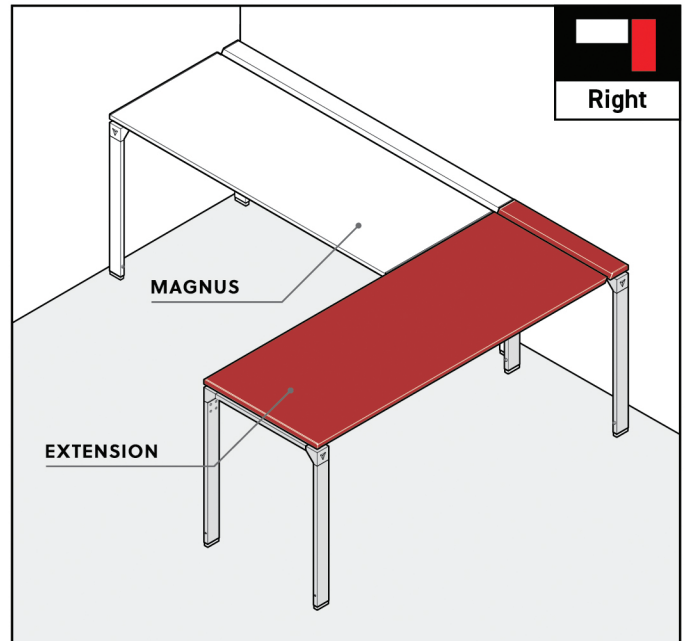
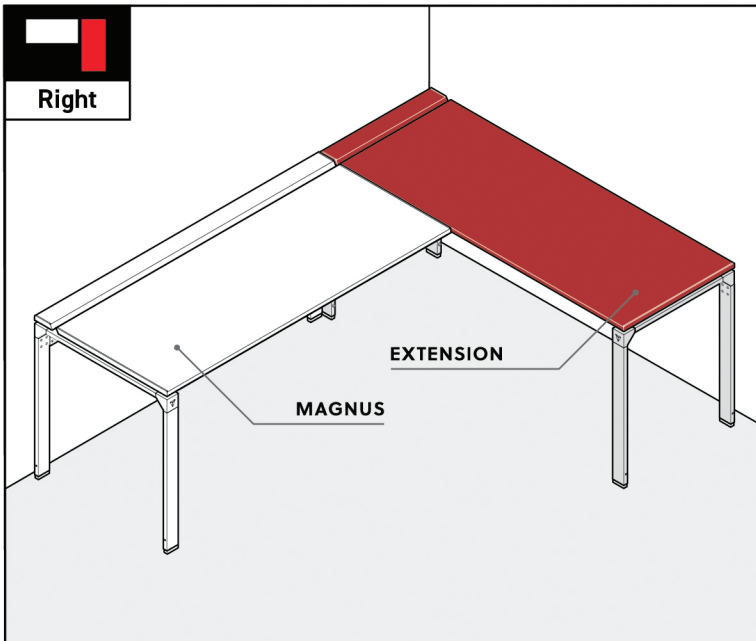
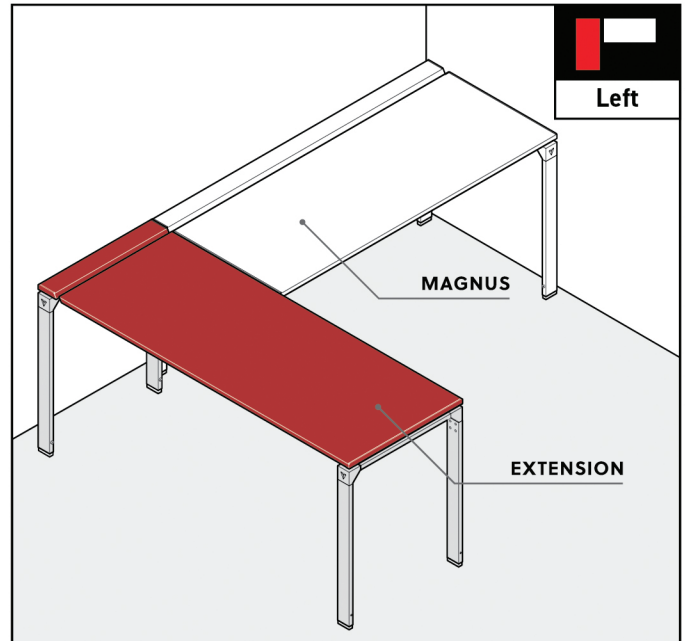
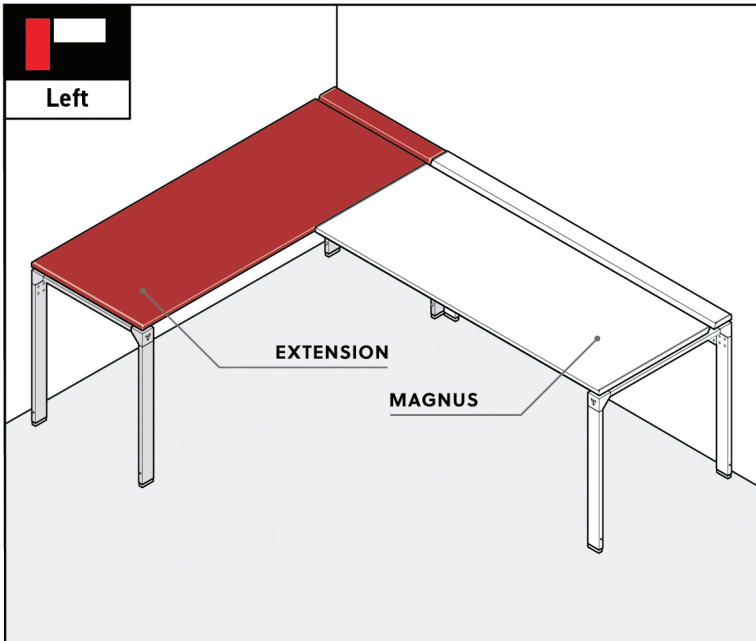


If you wish to install a monitor arm on your L-Shaped Desk Extension, please refer to the usage instructions on **page 15**.



The Secretlab L-Shaped Desk Extension is reversible and can be installed on either side of the Secretlab MAGNUS. The diagram below shows a few possible configurations.

HOW TO CONFIGURE YOUR DESK

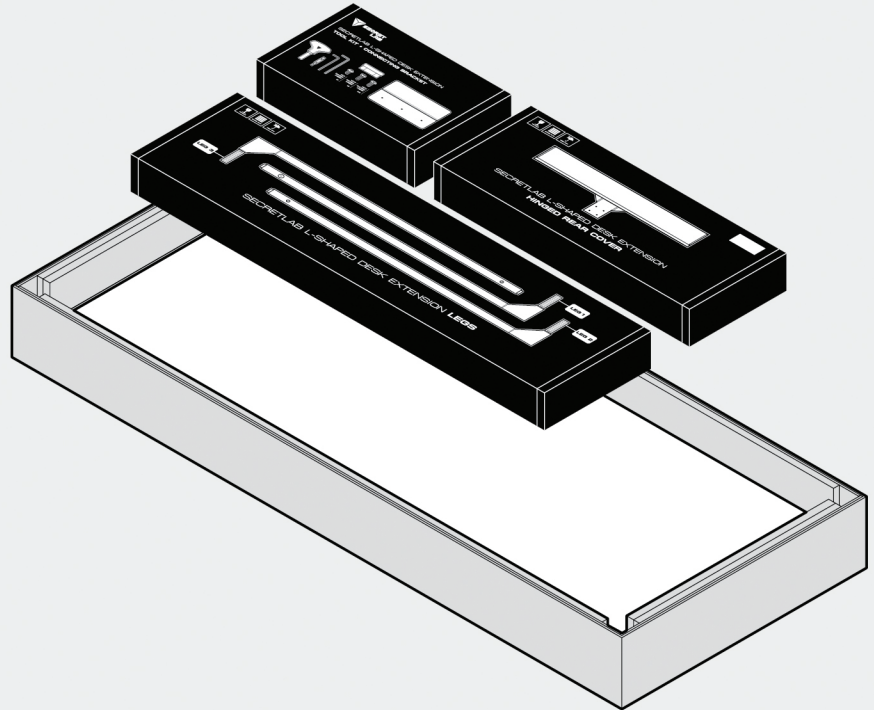


01

Preparing your Secretlab MAGNUS

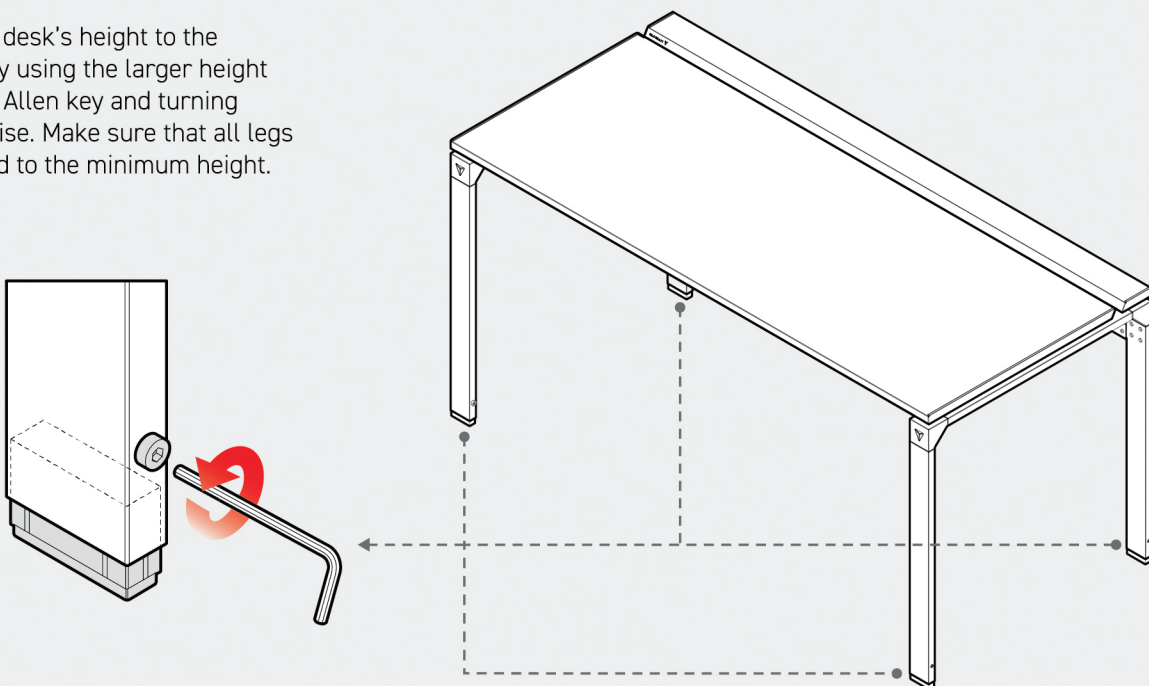


Remove all contents from the L-Shaped Desk Extension packaging box and check that you have received all the parts.

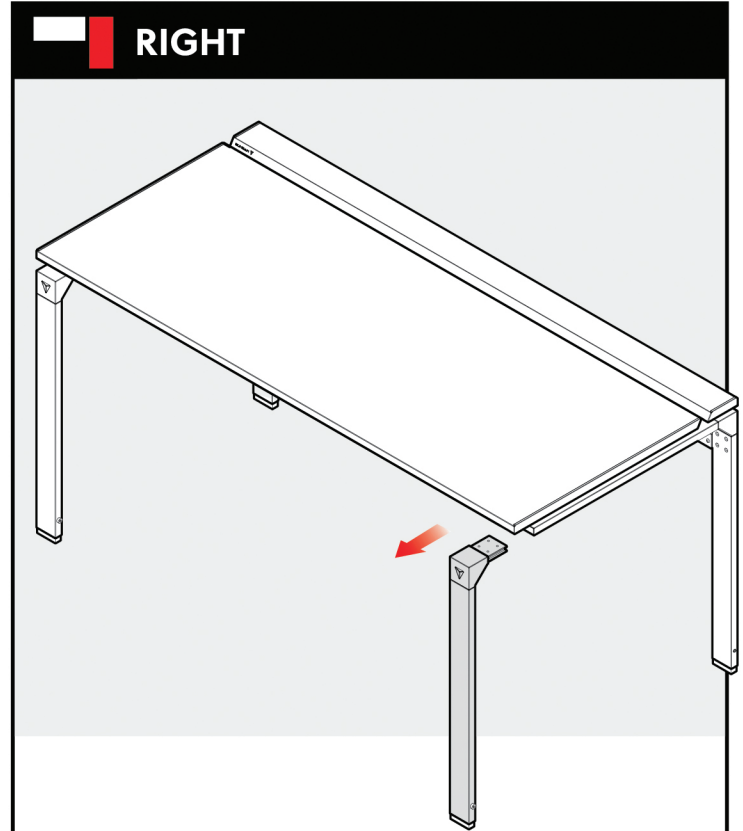
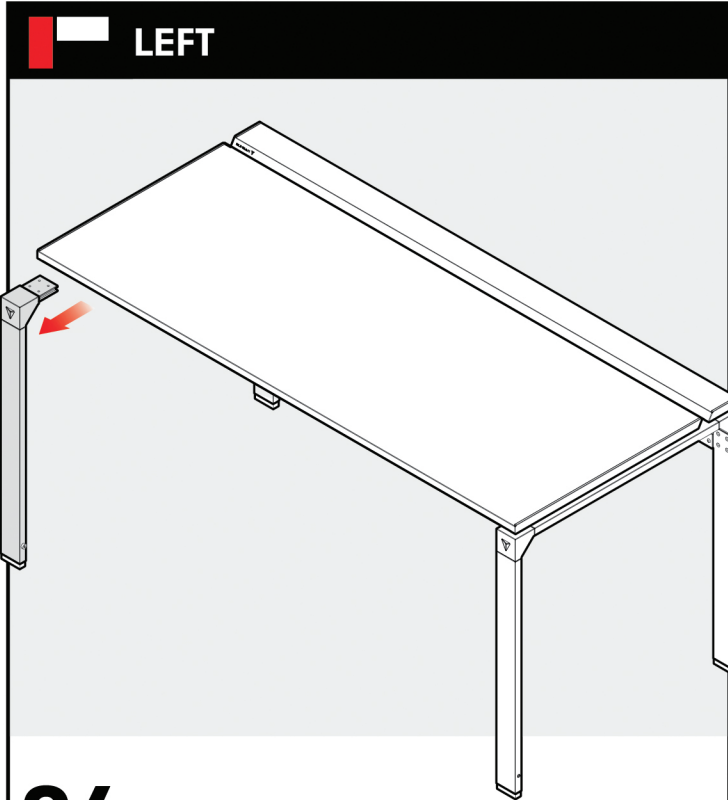


02

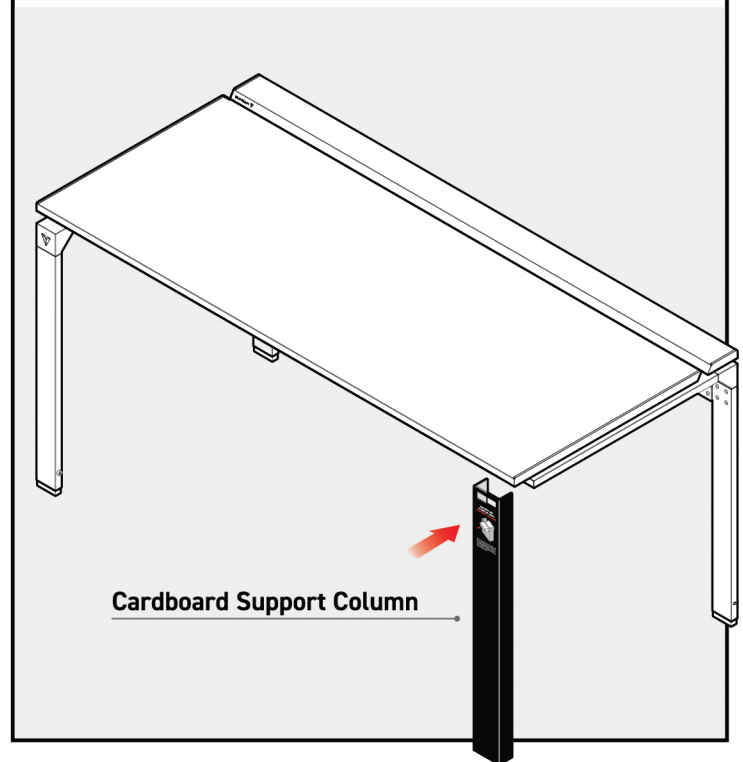
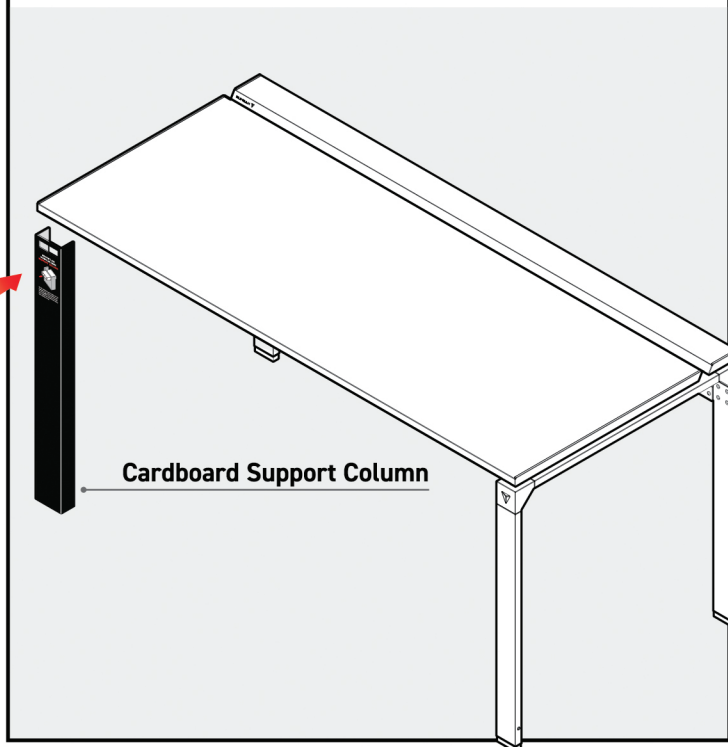
Reduce the desk's height to the minimum by using the larger height adjustment Allen key and turning anti-clockwise. Make sure that all legs are adjusted to the minimum height.



03



04

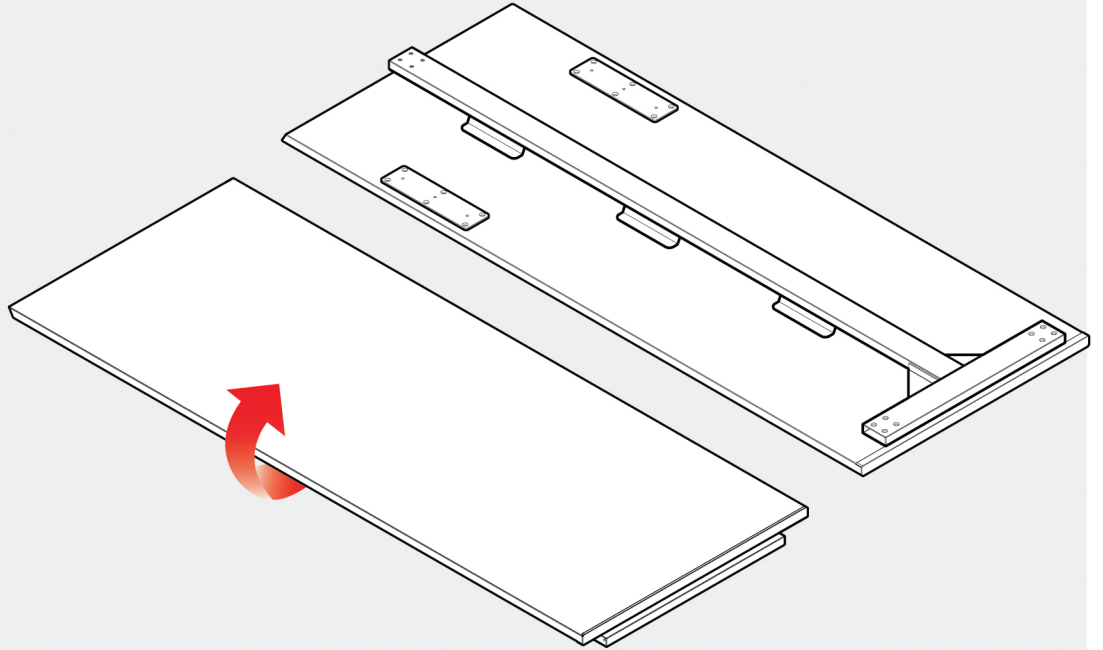


01

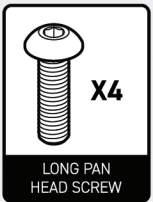
Assembling the L-shaped Desk Extension



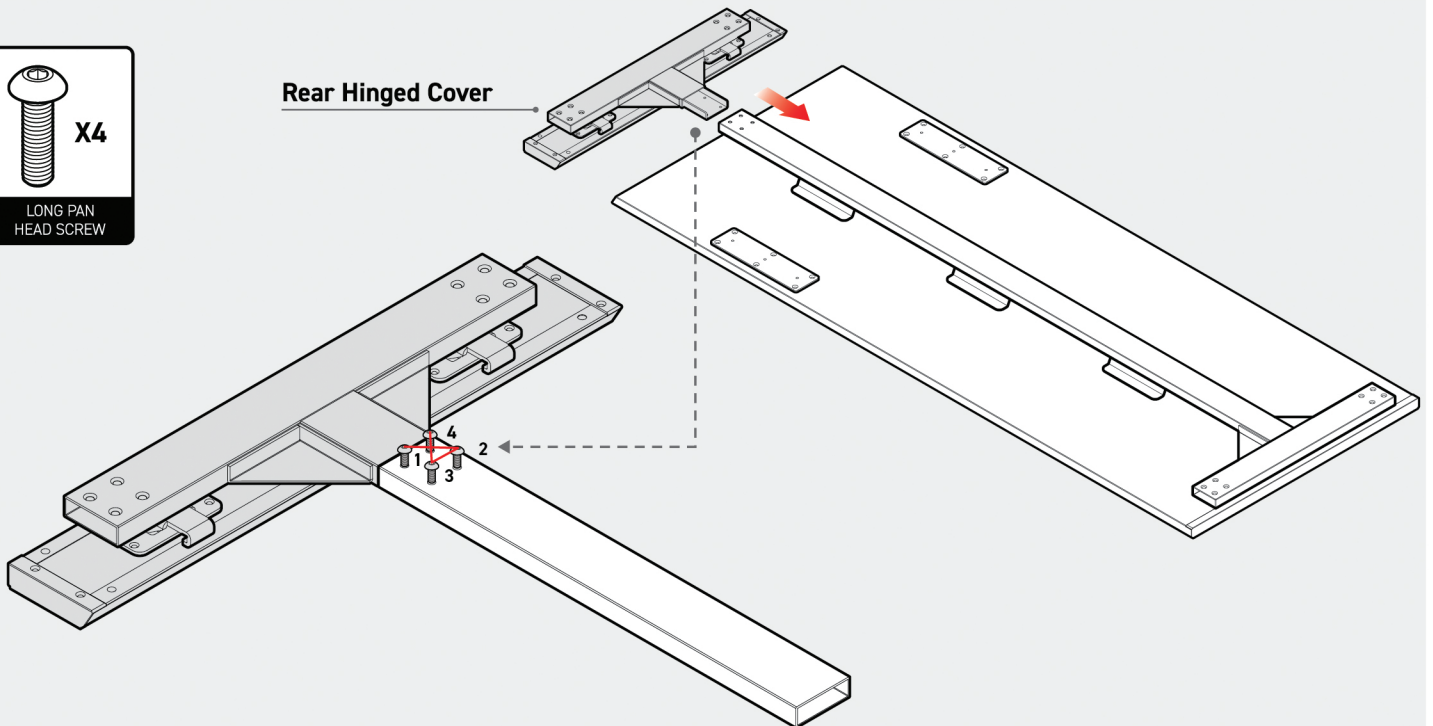
With at least two people, lift the extension table top and place it upside down onto a debris-free area to protect the table top surface.



02

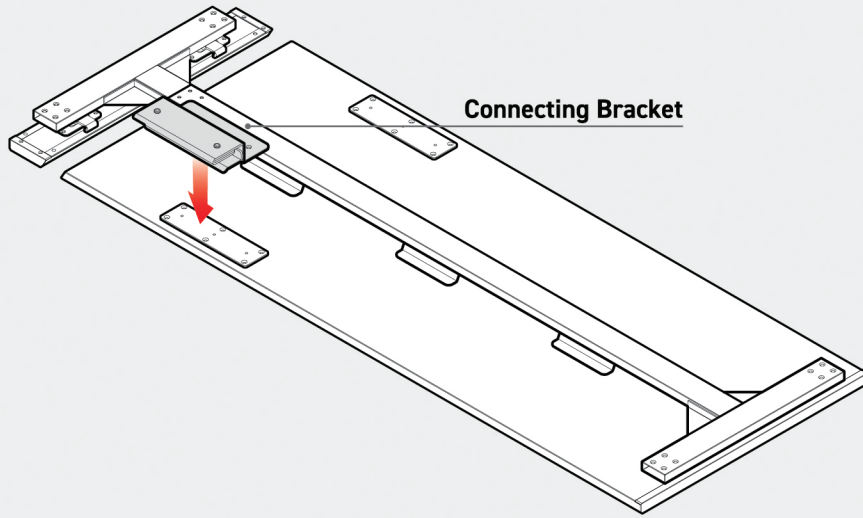


Rear Hinged Cover



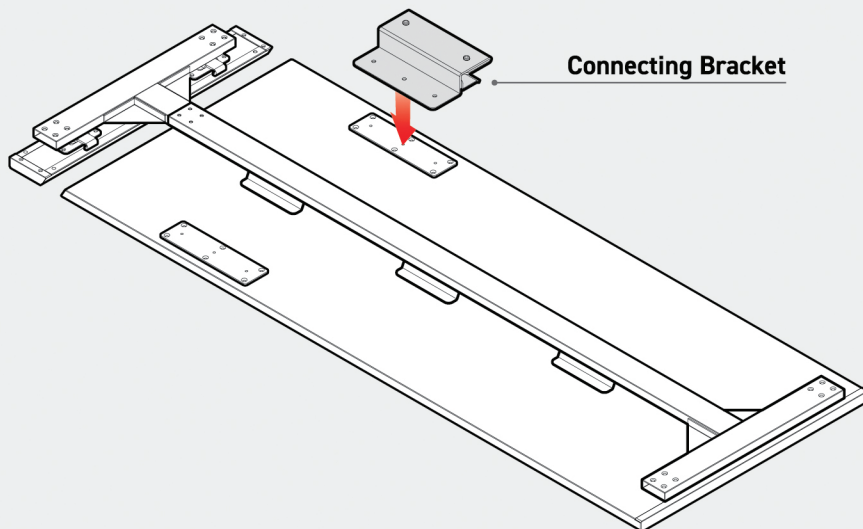
03

 LEFT

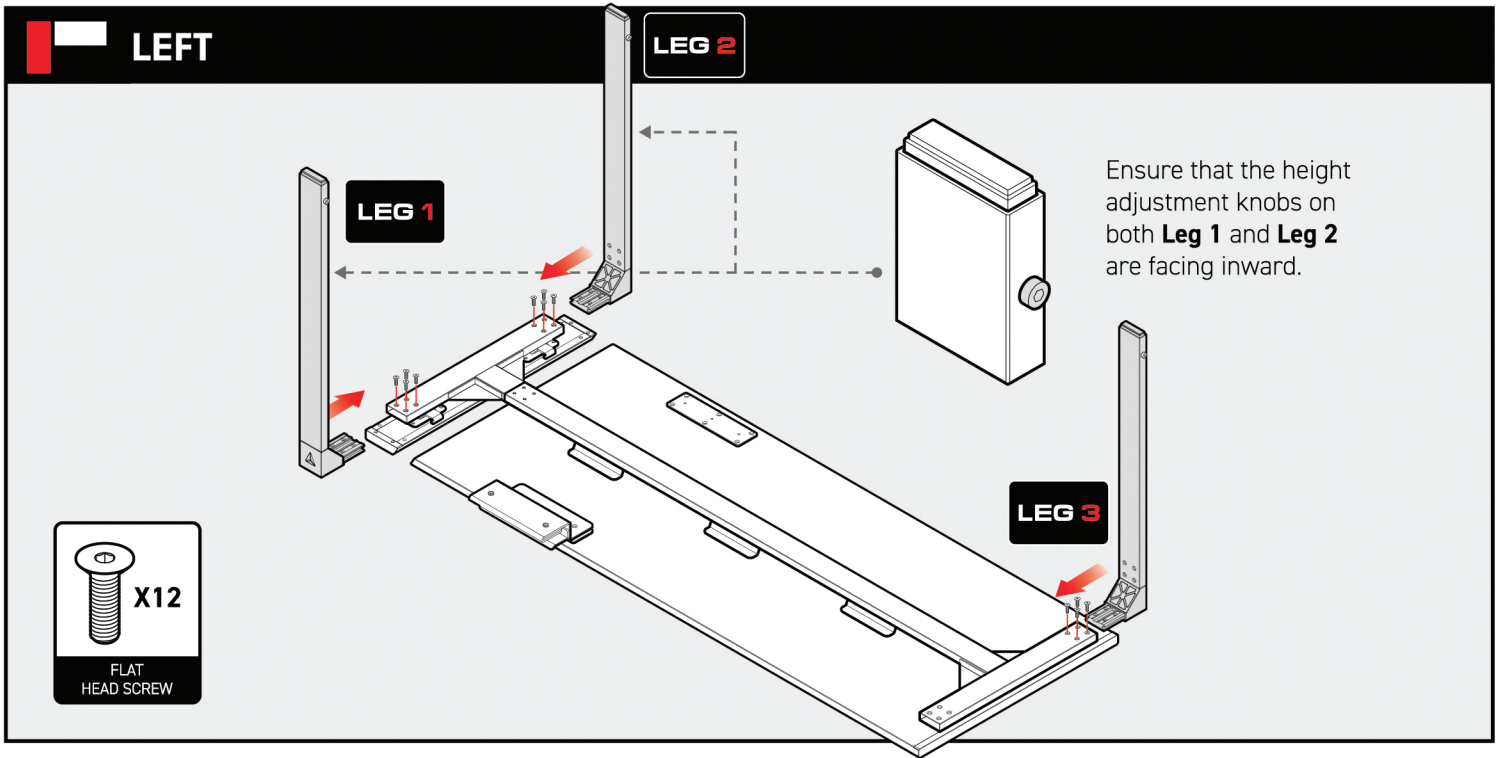


03

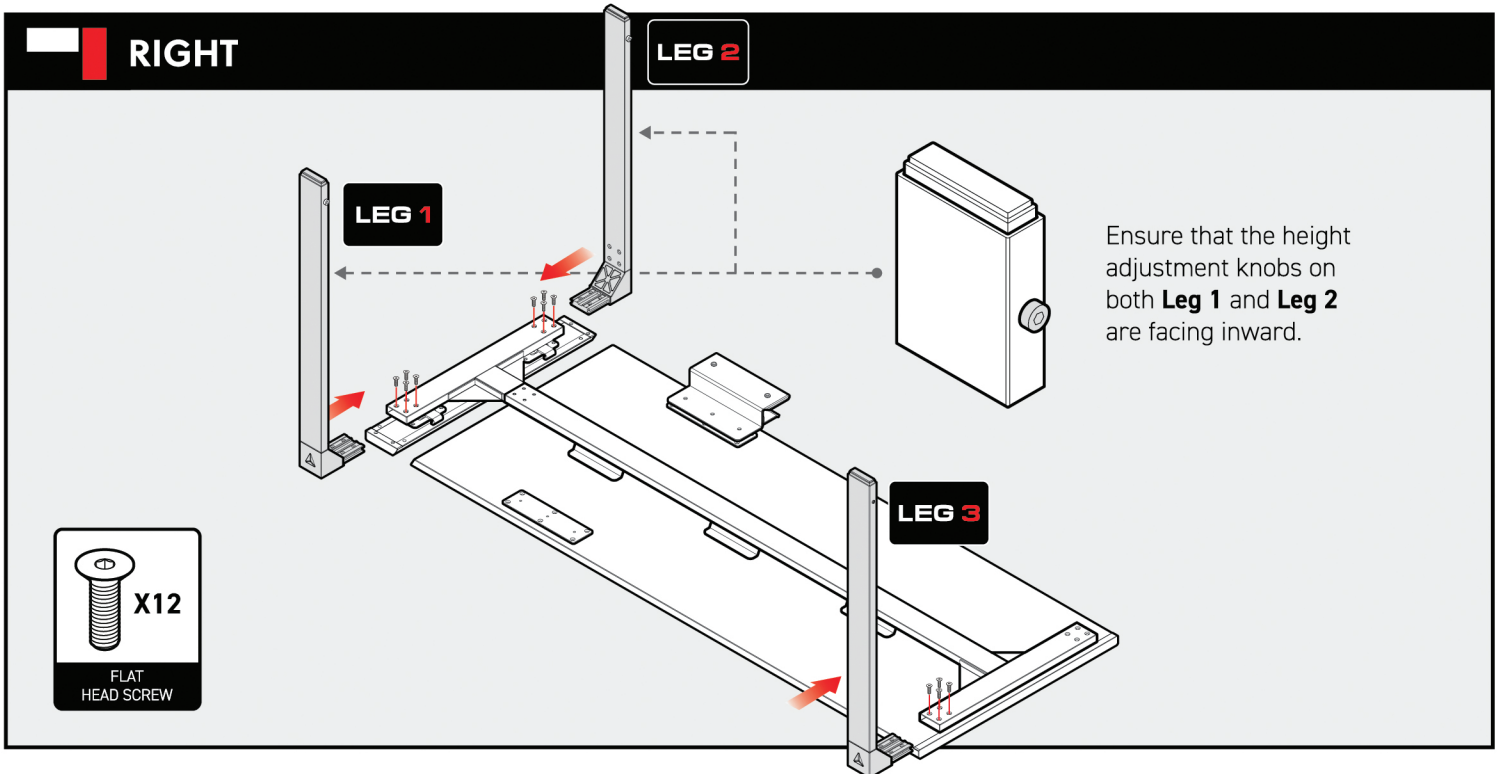
 RIGHT



04



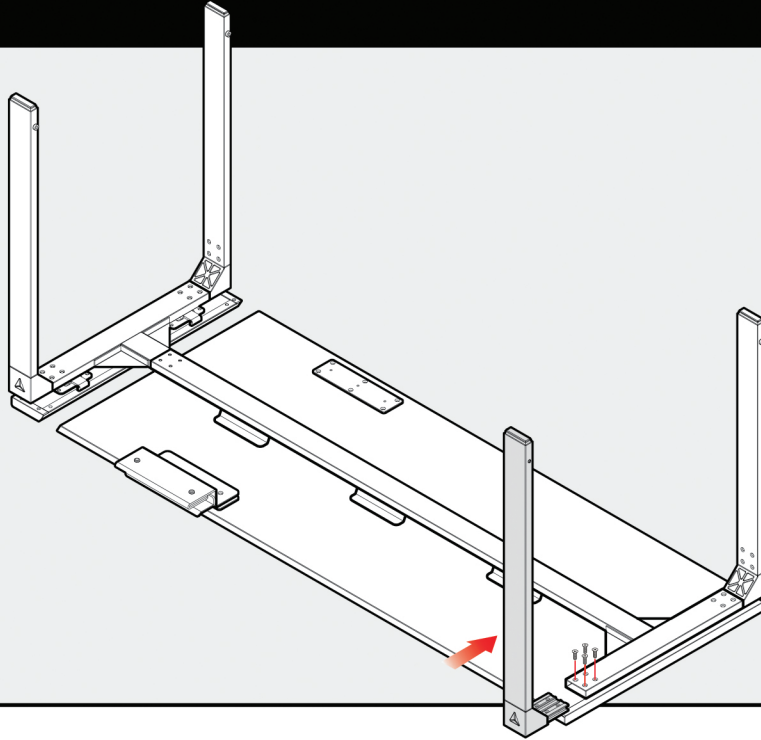
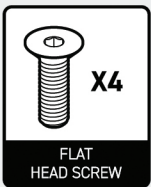
04



05

LEFT

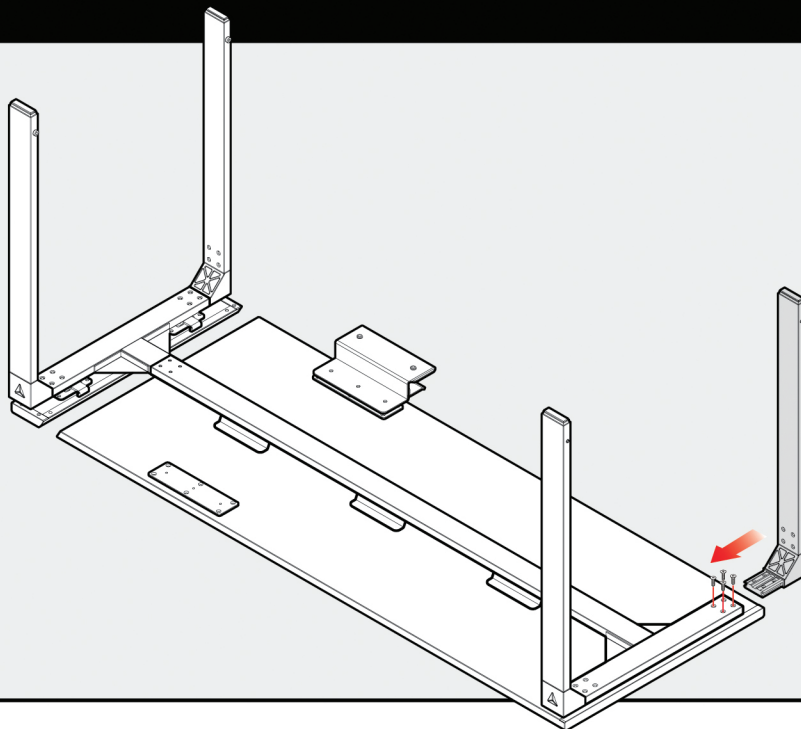
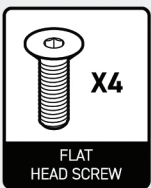
Install the leg previously removed from your Secretlab MAGNUS onto the L-Shaped Desk Extension.



05

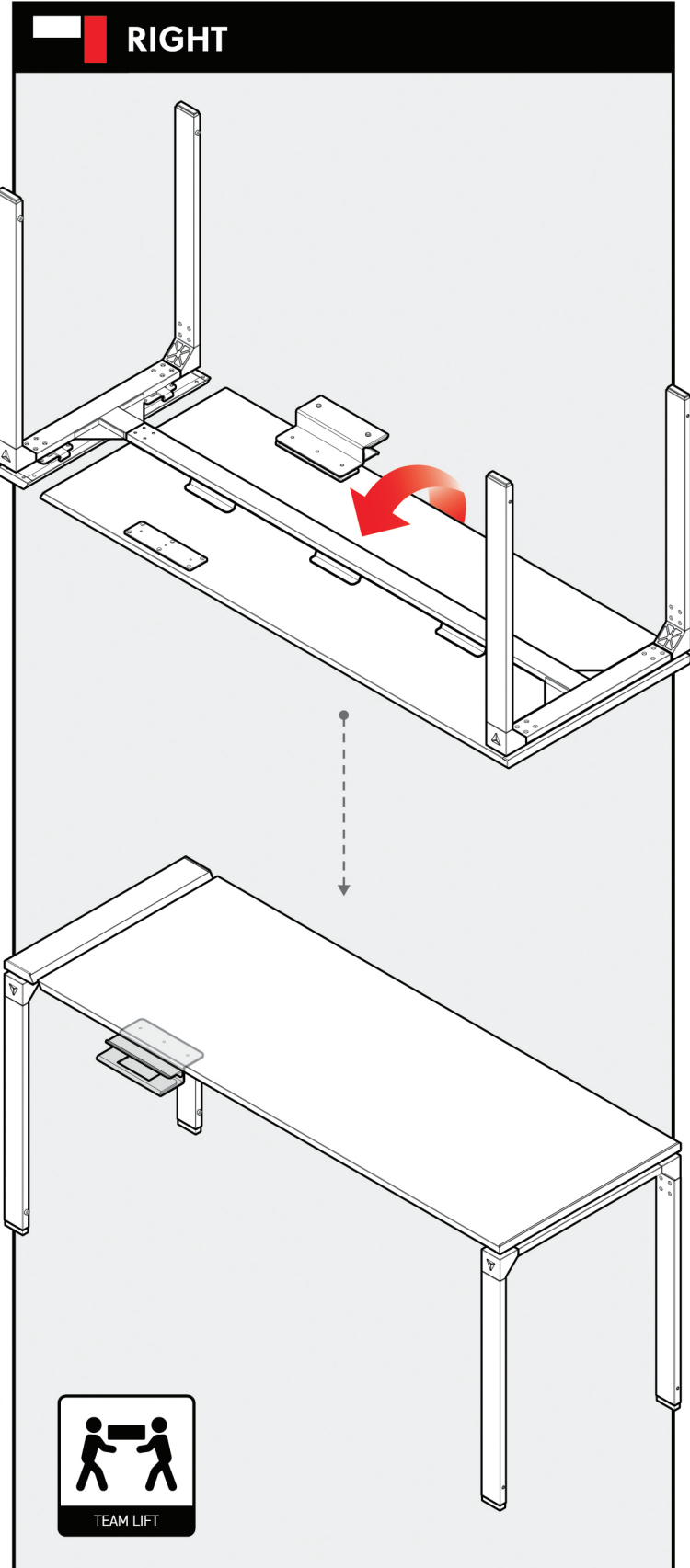
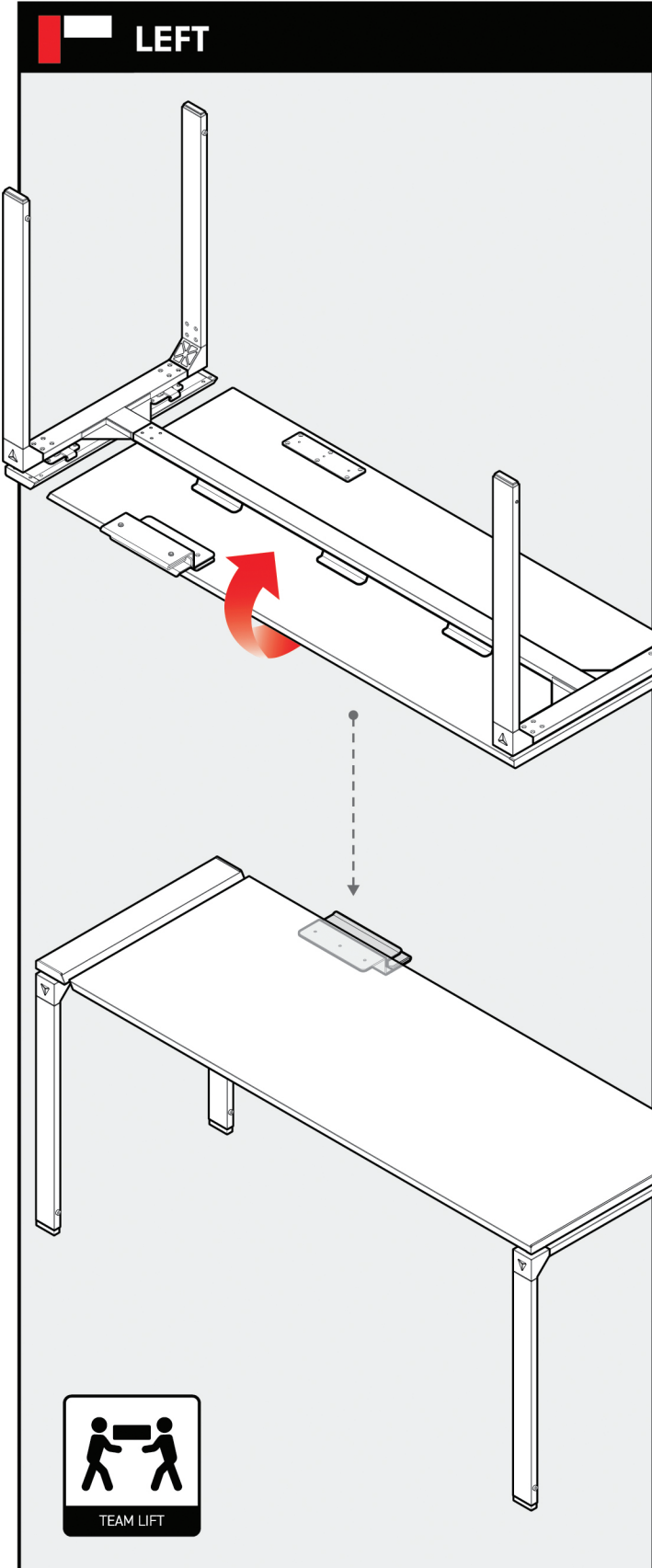
RIGHT

Install the leg previously removed from your Secretlab MAGNUS onto the L-Shaped Desk Extension.



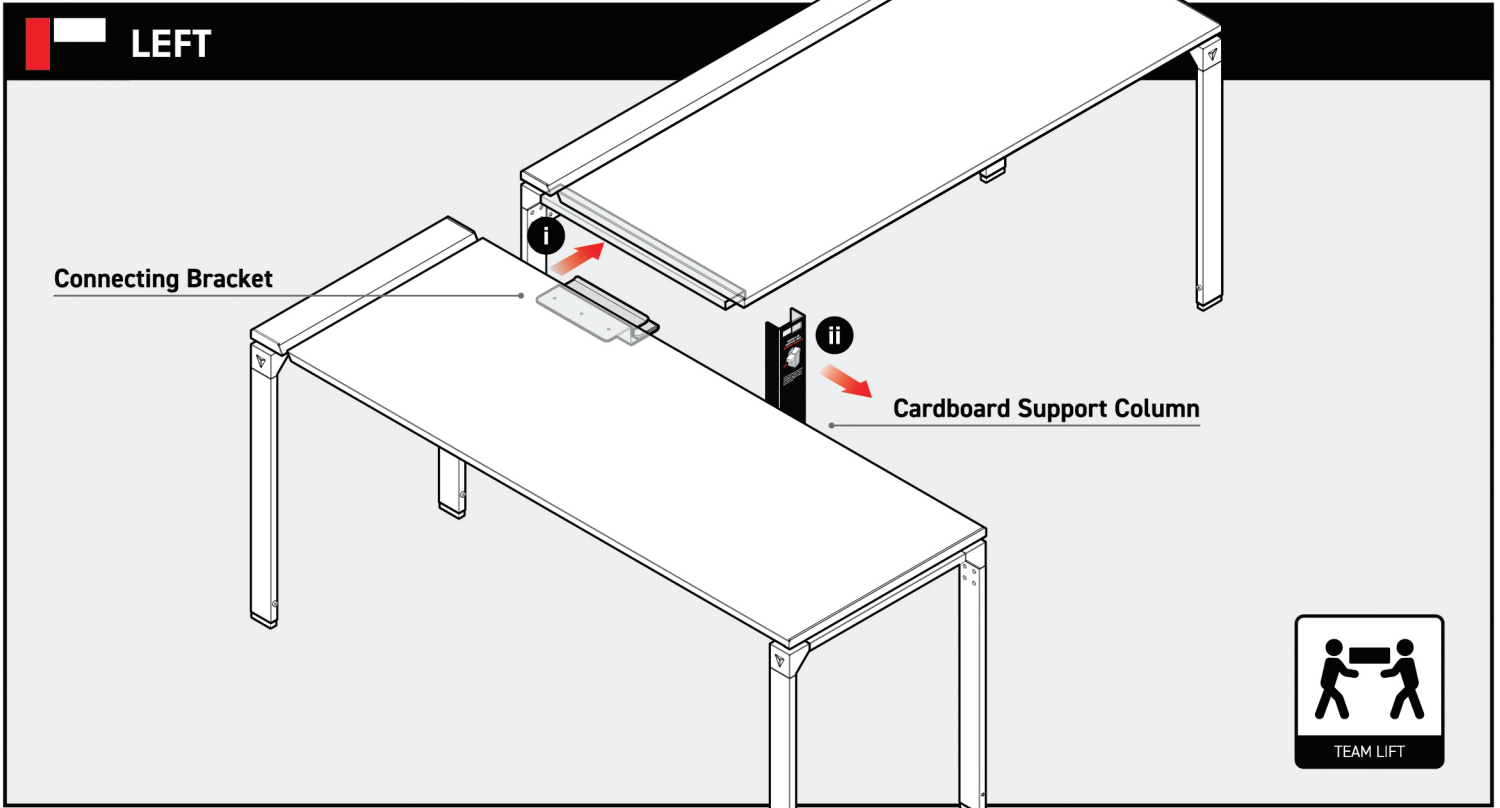
01

Installing the Desk Extension on Secretlab MAGNUS



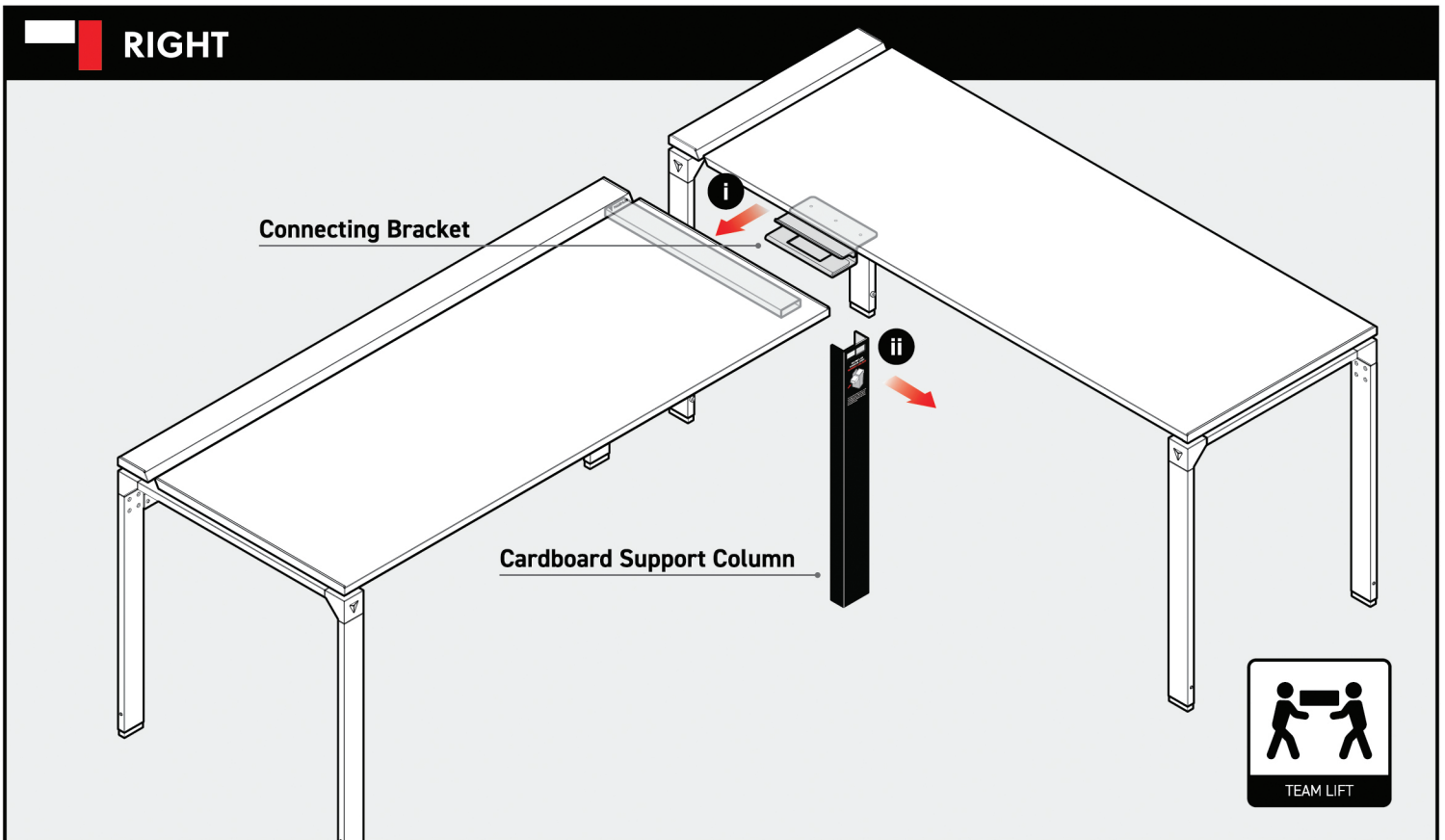
02

 LEFT



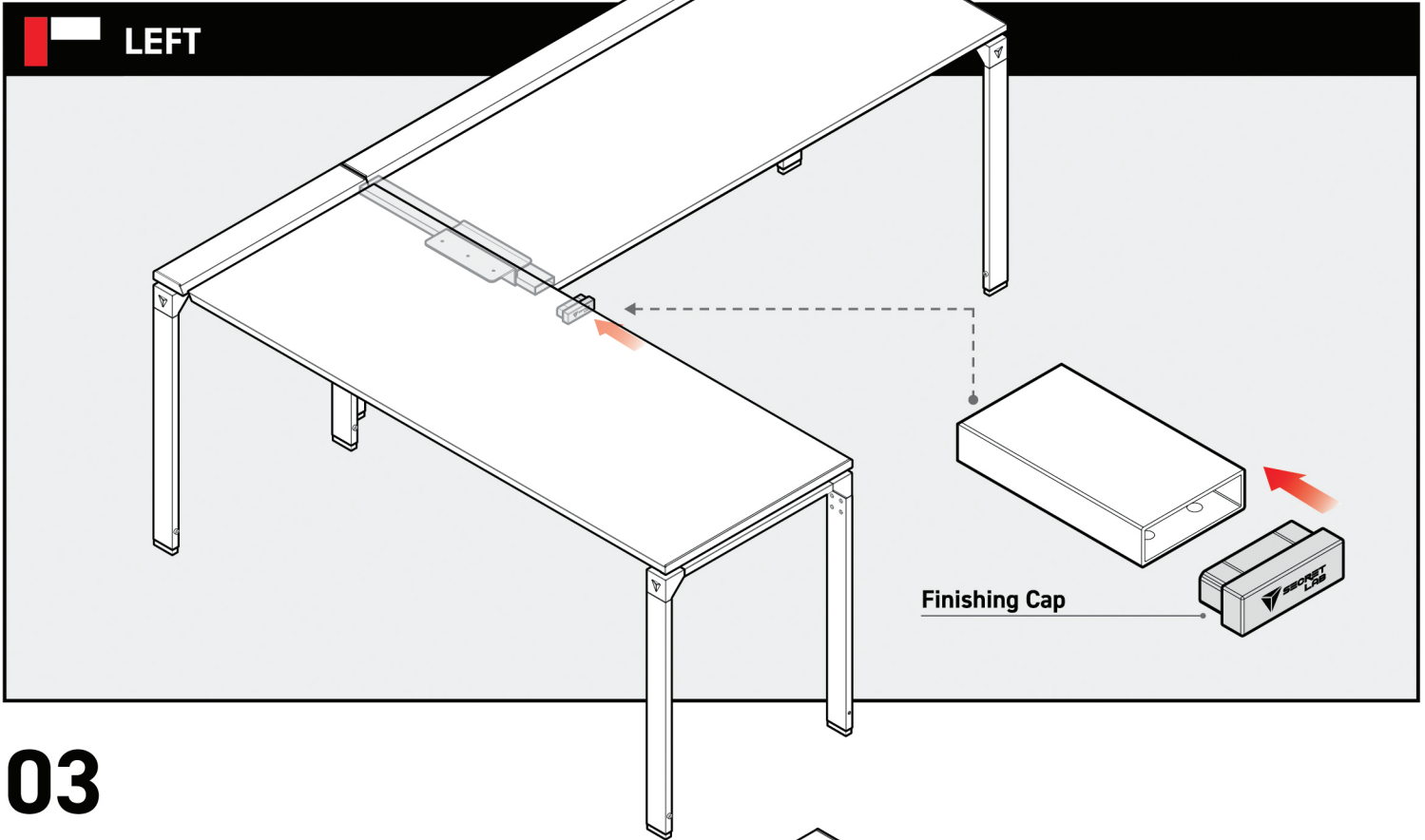
02

 RIGHT



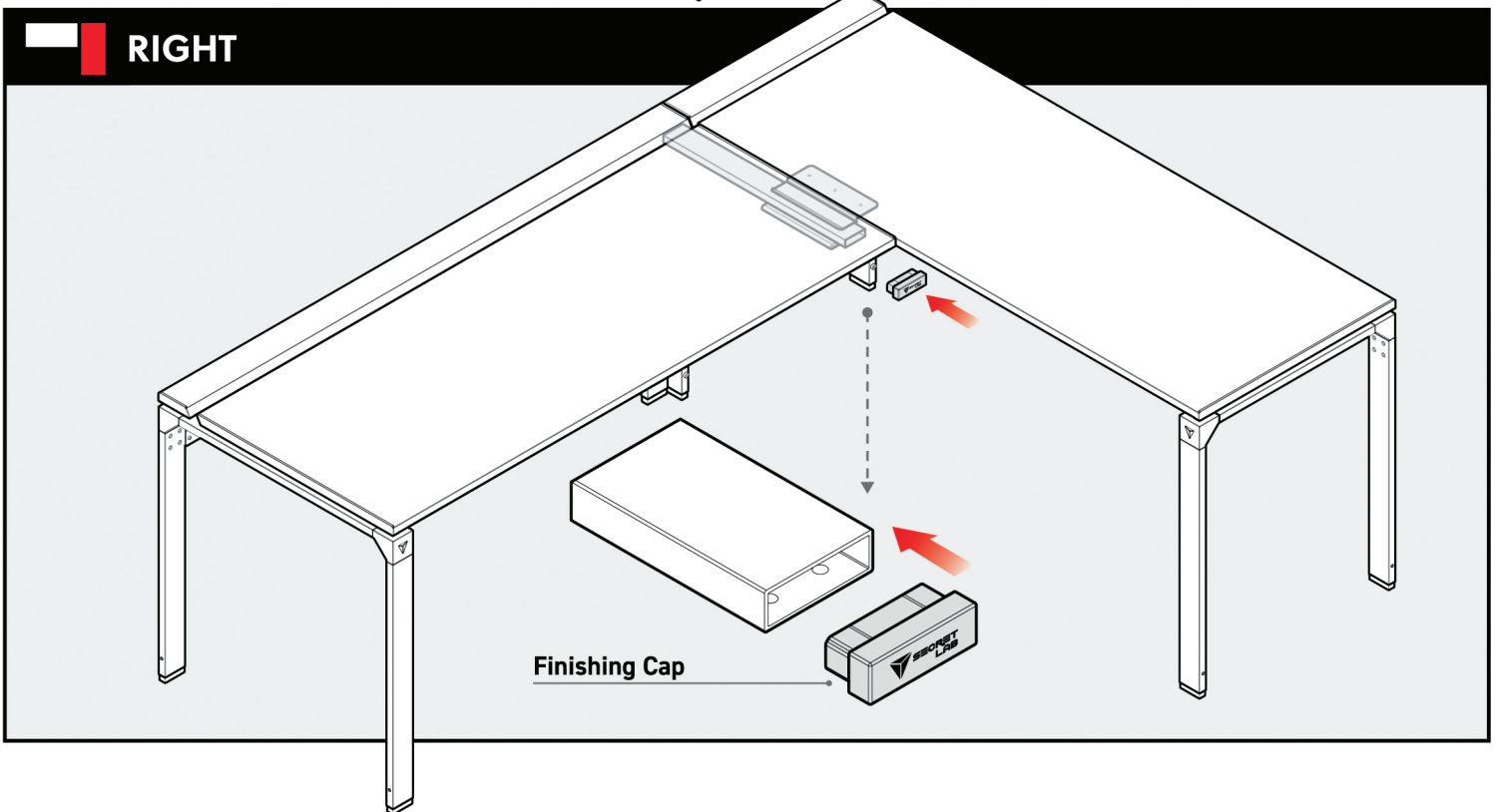
03

 LEFT



03

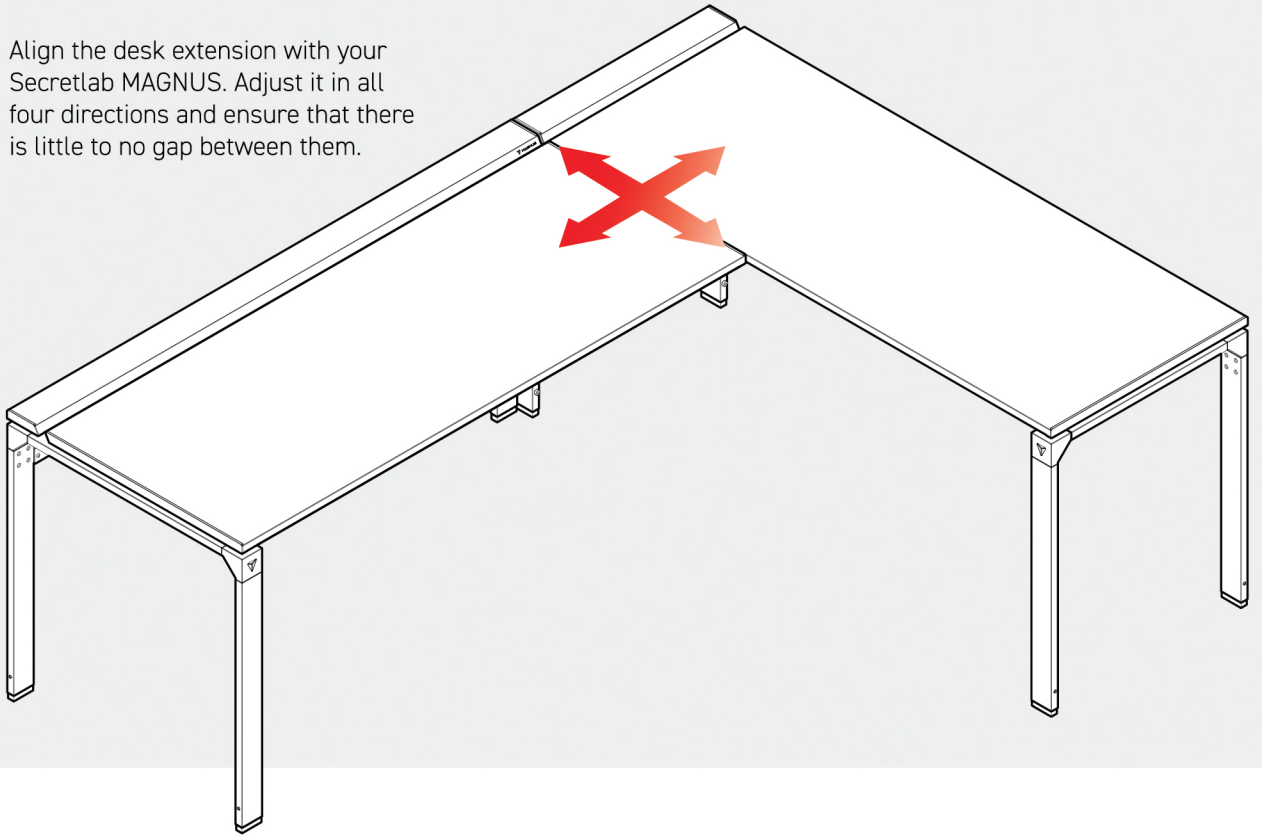
 RIGHT



04

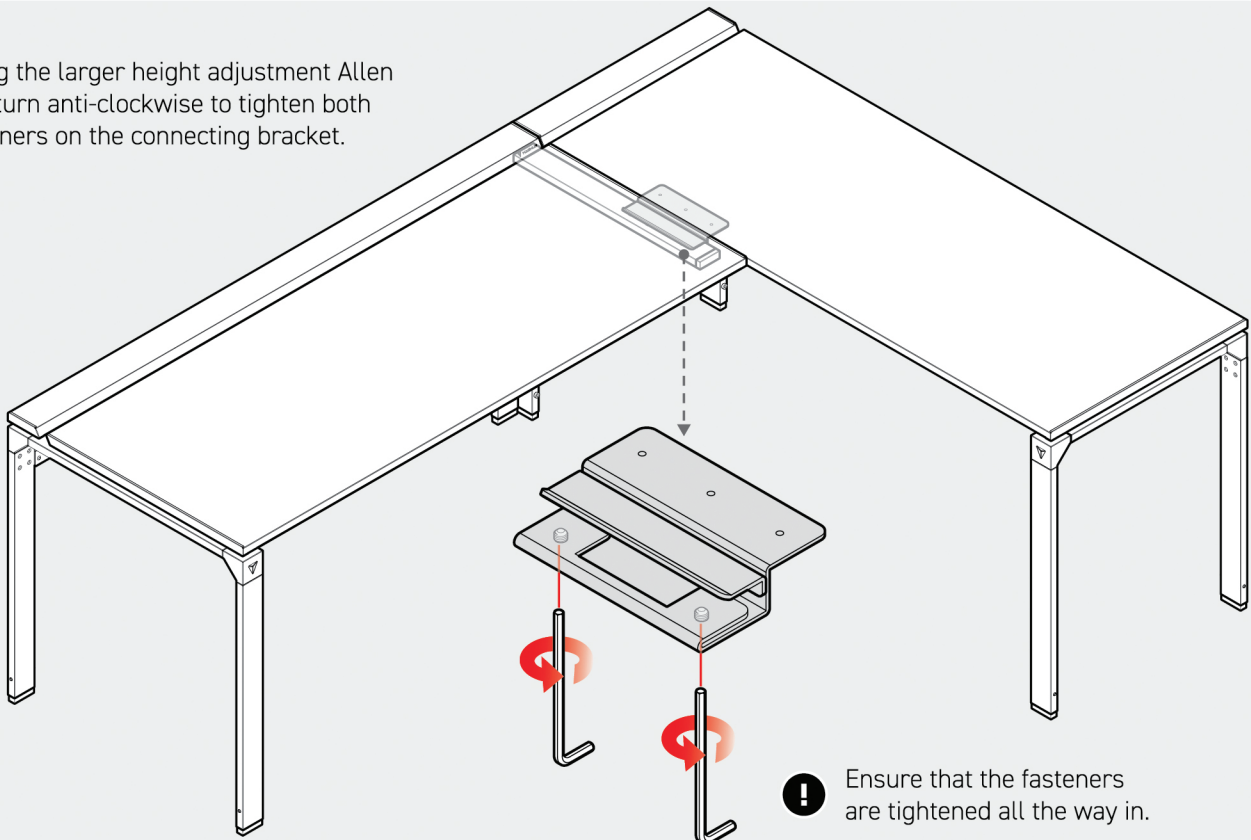


Align the desk extension with your Secretlab MAGNUS. Adjust it in all four directions and ensure that there is little to no gap between them.



05

Using the larger height adjustment Allen key, turn anti-clockwise to tighten both fasteners on the connecting bracket.



! Ensure that the fasteners are tightened all the way in.

