

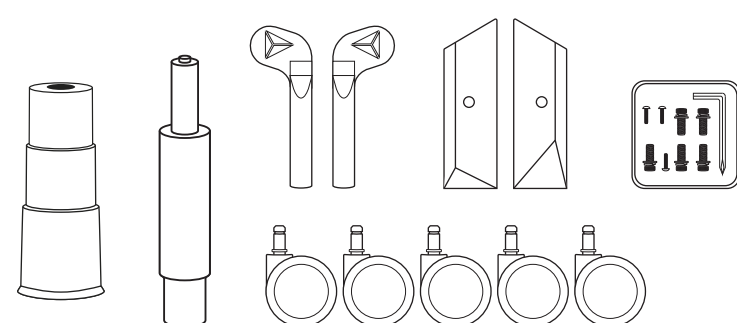
ASSEMBLY

PACKAGE CONTENTS

- 1x Chair Backrest
- 1x Chair Seatbase
- 1x Wheelbase
- 2x Armrests (pre-installed)
- 1x Tilt Mechanism
- 1x Accessories Box

ACCESSORIES BOX CONTENTS

- 5x Casters (Wheels)
- 1x Hydraulic Piston
- 2x Side Covers
- 2x Lever Handles (For multi-tilt only)
- 4x M8 Screws
- 8x Spring Washers
- 2x Phillips (Cross) Screws
- 1x Allen Key



YOU WILL ALSO NEED

- 1x Phillips (Cross) Head Screwdriver

CAUTION: Do not adjust the recline lever until the backrest has been securely installed (Step 6). Doing so may cause the backrest bracket to spring forward.



3 Turn the wheelbase the right side up and insert the hydraulics piston. Slide the hydraulics sleeve over the piston.



7 Attach the side covers with the Phillips screws using a Phillips (cross) head screwdriver. Take care not to over-tighten. Remove the recline strap.



10 Line up the grooves inside the lever handles with the notches and insert firmly.



1 Remove all parts from the box, while taking care to avoid the backrest recline lever and backrest bracket. Check if there are any missing parts.



4 Remove the 4 M8 screws that are pre-installed in the backrest using the Allen key.



8 Lift the chair and gently set it facing downwards. **If you are assembling an OMEGA or TITAN, proceed to Step 9a. For Throne, skip to Step 9b.**



11 Lift up the assembled wheelbase and insert the hydraulics piston into the socket of the tilt mechanism.



2 Lay out the foam sheets found in the packaging on a flat surface. Place the wheelbase upside down on top of the foam and insert the 5 casters.



5 Align the backrest with the bracket on the right side of the chair. Attach the backrest using the M8 screws.



9a Attach the multi-tilt mechanism to the bottom of the seatbase using the 4 M8 screws. Ensure the mechanism is in the correct direction. Proceed to Step 10.



FOR OMEGA / TITAN

12 Carefully tilt the chair upwards while holding the wheelbase and position it upright. **Congratulations! You've assembled your Secretlab chair.**



6 Push the bracket on the left side inwards to meet the backrest, and secure using the M8 screws. Tighten all 4 screws fully using the Allen key.



9b Attach the full-tilt mechanism to the bottom of the seatbase using the 4 M8 screws. Ensure the mechanism is in the correct direction. Skip to step 11.



FOR THRONE

FOR OMEGA / TITAN

USAGE INFORMATION



BACKREST RECLINE

Pull the lever FULLY and lean back slowly until desired angle is achieved, then slowly return the lever to its starting position. Ensure the lever locks back in place.



4D ARMRESTS

Press and hold the 1) front button to adjust front, back, and angle, 2) inner side button to adjust sideways, and 3) lever on the outside of the armrest to adjust height.



TILT TENSION

Turn the knob clockwise to loosen the rocking tension of the chair, anti-clockwise to tighten. Adjust according to your weight.



ARMREST ADJUSTMENT

The distance between armrests can be adjusted. Loosen the M8 screws at the bottom of the armrests and move to the desired position, then tighten to secure.



LUMBAR ADJUSTMENT

Turn the knob clockwise to increase the lumbar support, anticlockwise to decrease. Do not attempt to turn past the maximum and minimum.

TITAN ONLY



MULTI-TILT MECHANISM

Right lever (while seated): Pull up to adjust height. Left lever (while seated): Push down/pull up to lock/unlock the tilt mechanism.



FULL-TILT MECHANISM

Right lever (while seated): Pull up to adjust height. Right lever (while seated): Push inwards/pull outwards to lock/unlock the tilt mechanism.

SAFETY INFORMATION



Sit in the center of the chair, with your back to the backrest. Do not sit at the front edge of the chair. Do not stand on the chair. Do not use the chair with more than one person. Do not push the chair around when a person is sitting in it. Do not push down on the backrest when a person is reclined. Do not place all your weight on the backrest only. Do not place your hand or fingers near the recline mechanism.

The recommended weight load for 100kg (220lbs) for the Throne series, 110kg (240lbs) for the OMEGA series, and 130kg (290lbs) for the TITAN series. The chair should only be used normally and in a non-abusive manner. For warranty information, please visit the Warranty section on our website.