



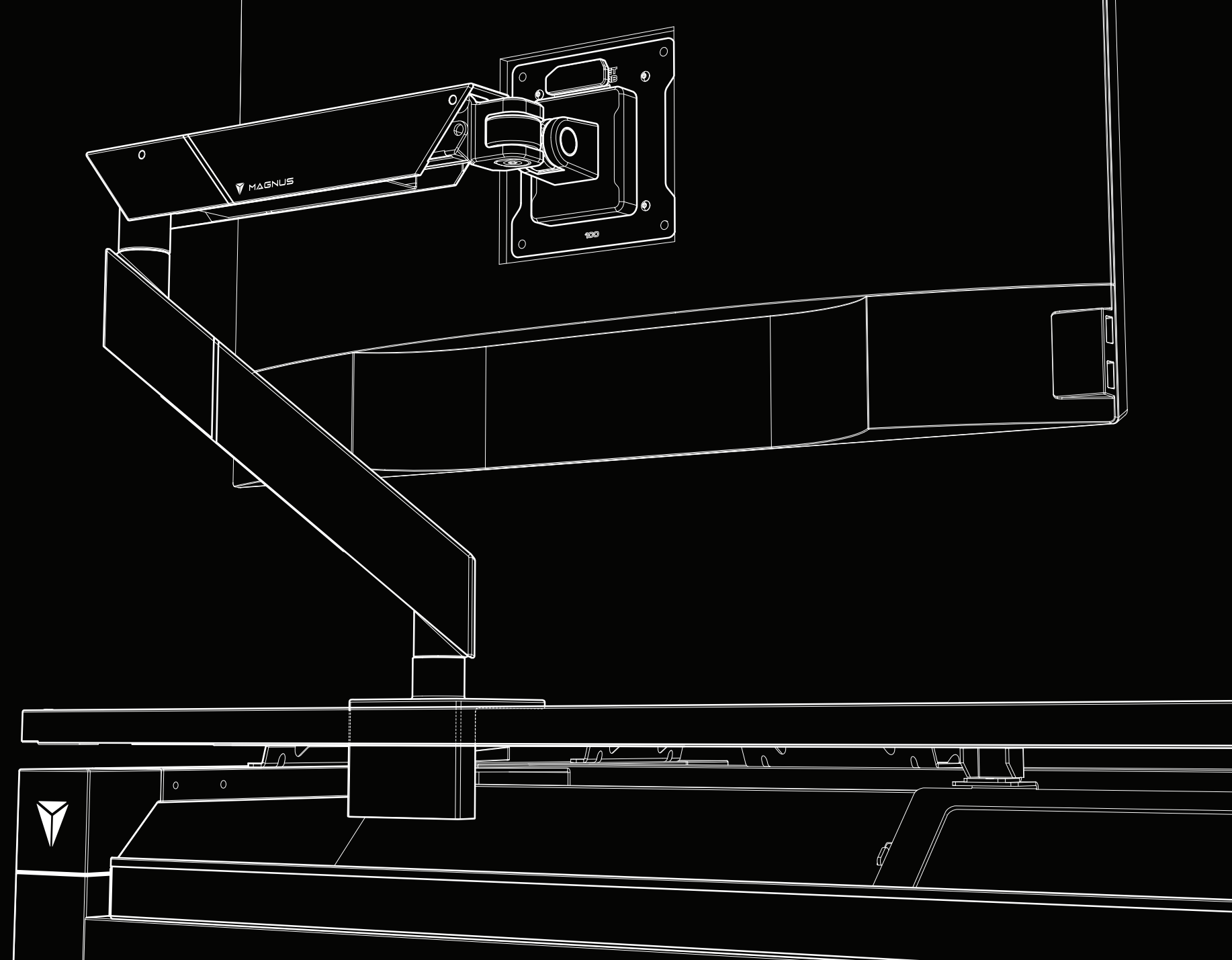
## SECRETLAB MAGNUS SINGLE MONITOR ARM

**Welcome. You've unlocked the Secretlab MAGNUS ecosystem of accessories.**

Your Secretlab MAGNUS Metal Desk is the ultimate modern desk for work and play. Take it to the next level with the Secretlab MAGNUS Single Monitor Arm, designed to raise your monitor screen to an optimal viewing angle while freeing up desk space for you to do more.

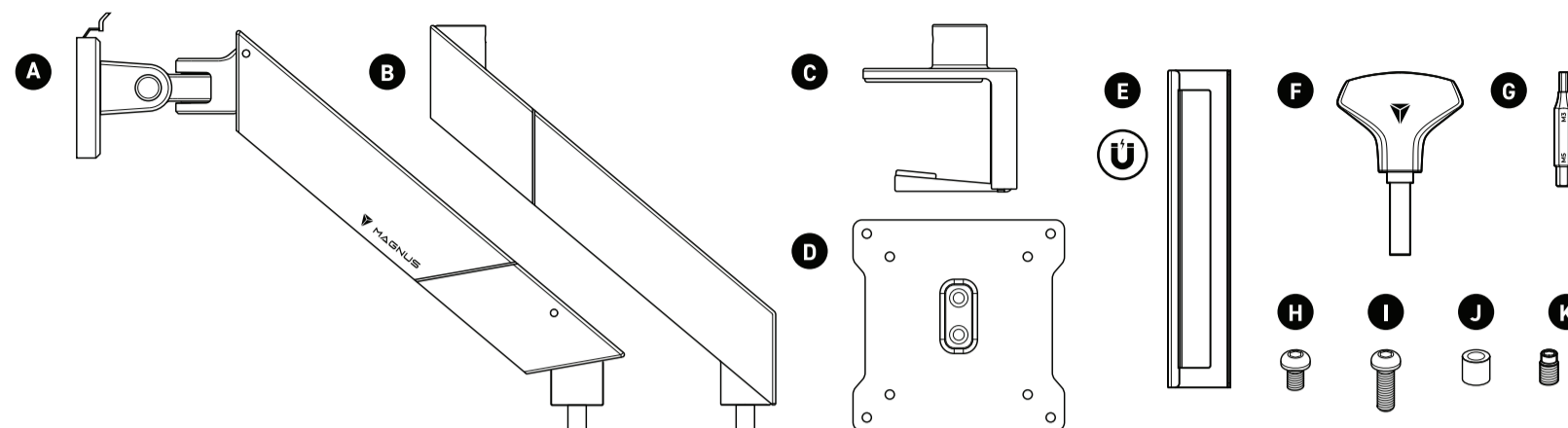
Like all the products in the Secretlab MAGNUS ecosystem, your monitor arm works seamlessly with your desk. Simply clamp the arm to your desk and secure it with a top screw mount. The clamp's slim profile fits perfectly into the offset gap of your desk's cable tray even when it's fully closed. Route your cables through the arm's built-in channels and utilize the magnetic cable guides to hide your cords from view for a clutter-free setup. Once your monitor is safely mounted, explore a full range of tilt, swivel and rotation adjustments to position it exactly how you want to. Go forth and enjoy next-level performance.

PATENT PENDING



## WHAT'S IN THE BOX

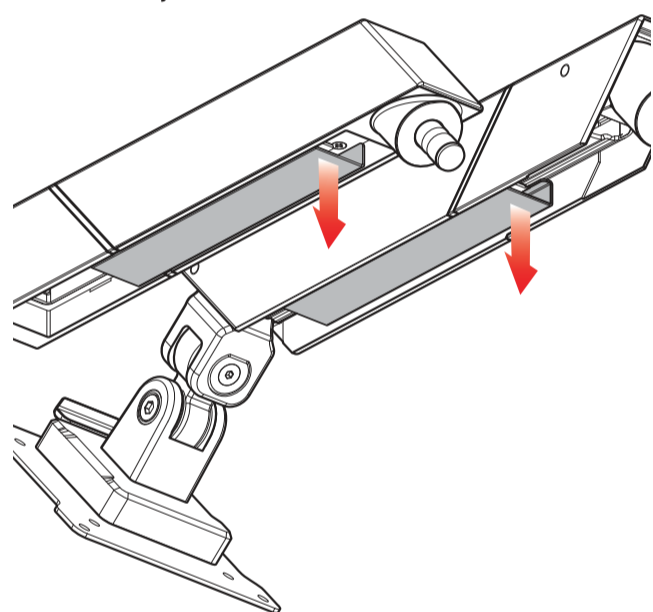
- |                                     |    |                                   |    |
|-------------------------------------|----|-----------------------------------|----|
| A. Upper Arm                        | x1 | F. Magnetic Screwdriver Handle    | x1 |
| B. Bottom Arm                       | x1 | G. Reversible Hex M5/M3 Screw Bit | x1 |
| C. Single Monitor Clamp Mount       | x1 | H. VESA Screw                     | x4 |
| D. VESA Bracket                     | x1 | I. Extended VESA Screw            | x4 |
| E. Magnetic Cable Sheath (Attached) | x2 | J. Spacers                        | x4 |
|                                     |    | K. Set Screws (Attached)          | x2 |



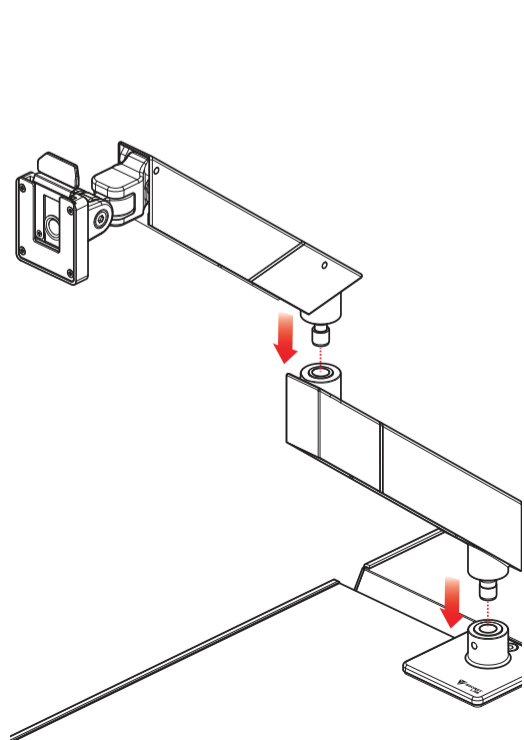
## STAGE A: ARM ASSEMBLY

**01** Before you proceed, remove all contents from the packaging box and ensure that you have received all the listed package contents. The set screws and magnetic cable sheaths have been pre-assembled in the arms.

**Remove the Magnetic Cable Sheaths from each individual arm before assembly.**

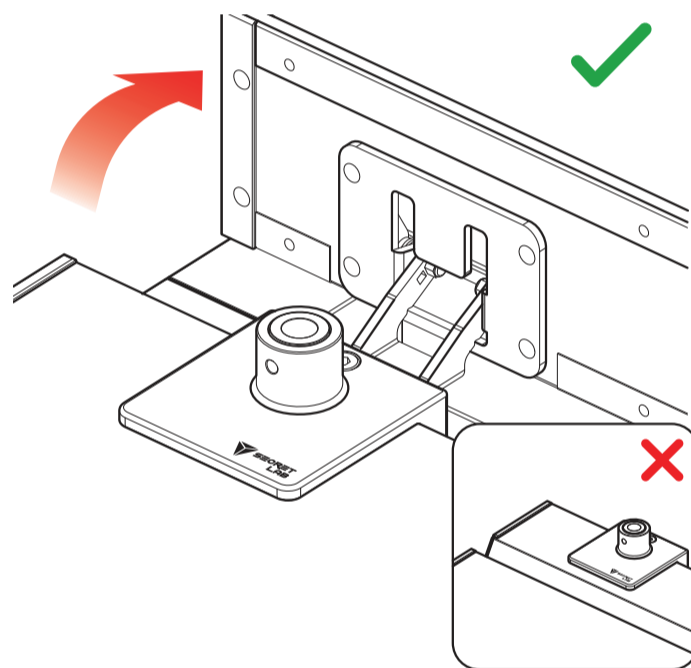


**04** Insert the bottom arm into the mount and the upper arm into the bottom arm.

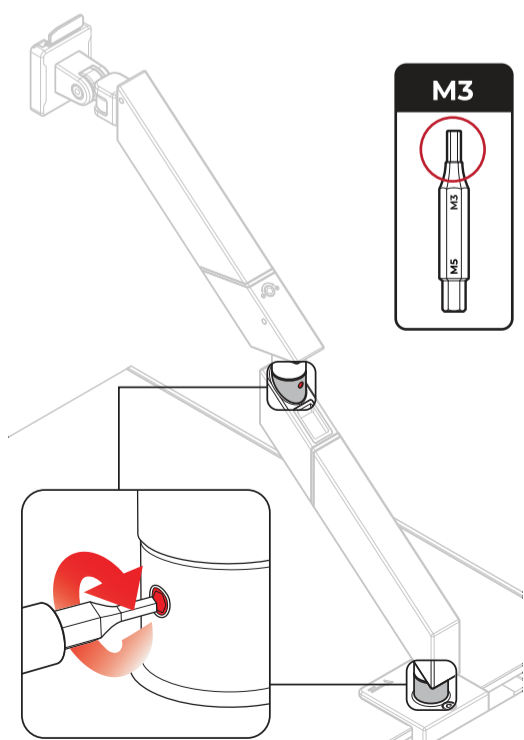


**02** Begin with the Clamp Mount installation by lifting the rear cover of your MAGNUS Desk. You can now slide the clamp along the edge of your desk.

**Note:** Ensure the back of the Clamp Mount is flushed against the edge of your desk.

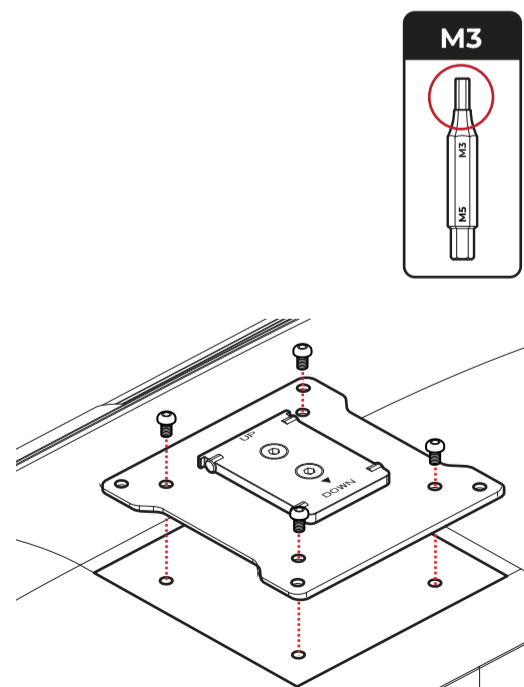


**05** Tighten the set screws on both the upper arm and the clamp mount to lock the arms in place.



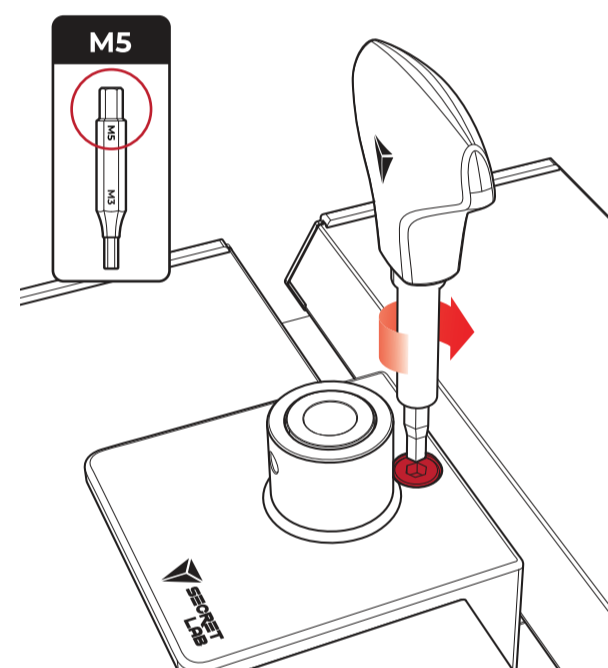
**06** Position the VESA Bracket over the mounting holes of your monitor and attach the plate using the VESA screws provided.

**Note:** The VESA Bracket features 75 mm and 100 mm hole patterns.



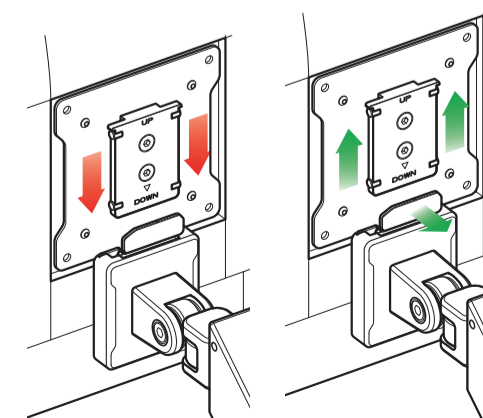
**03** Fully tighten the top screw **clockwise** to anchor the clamp in place.

**Note:** Ensure you do not over-tighten the top screw.



**07** To attach your monitor to the arm, slide the VESA Bracket into the VESA mount on the upper arm. When your monitor is fully attached, you should hear it click into a locked position. To release your monitor, push the quick release pedal away from your monitor and slide it out.

**Note:** If your screen is being blocked while slotting into the VESA mount, use the extended VESA screws and spacers provided.



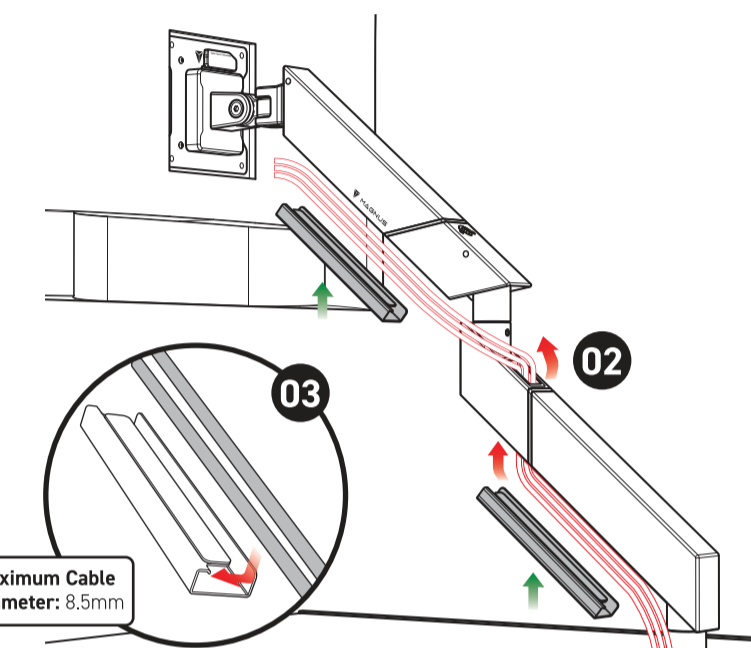
## STAGE B: CABLE MANAGEMENT

**01** Before you begin routing your cables, fully extend the arm to ensure easy arm rotation when fully assembled.

**02** **Fully connect** your cables from your power source or computer through the Cable Channel on the bottom arm to your monitor.

**03** Slot the loose cables under both arms into their respective Magnetic Cable Sheaths. Attach the sheaths to the base of each arm.

**Note:** Leave some slack in the cables to ensure that your monitor rotates without any obstruction.

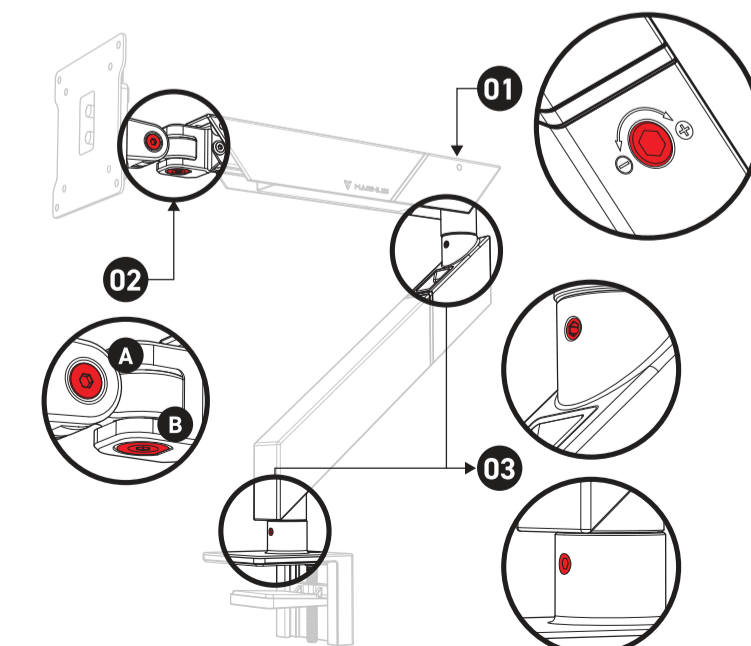


## STAGE C: ARM ADJUSTMENTS

**01** **Monitor Weight Adjustment (M5)**  
If the arm rises up on its own, rotate the Adjustment Screw counterclockwise (towards -) to lower the arm's lift force. If the arm falls down with the weight of the monitor, the lift force is too low and can be increased by turning the Adjustment Screw clockwise (towards +).

**02** **A. Tilt Adjustment (M5) and B. Monitor Swivel (M3)**  
Adjust the screws on for the desired ease of monitor swivel and tilt resistance. Ensure you hold your monitor while adjusting.

**03** **Monitor Arm Rotation Adjustment (M3)**  
Adjust the set screws on the bottom arm and the clamp for the desired rotational resistance.



## PRODUCT SPECIFICATIONS

### Secretlab MAGNUS Single Monitor Arm

Weight Capacity: 2.5 - 8.0 kg (5.5 - 17.6lb)

Table Top Compatibility: 10 - 50 mm (0.4 - 1.9")

Vesa Mount Compatibility: 75 x 75 mm / 100 x 100 mm

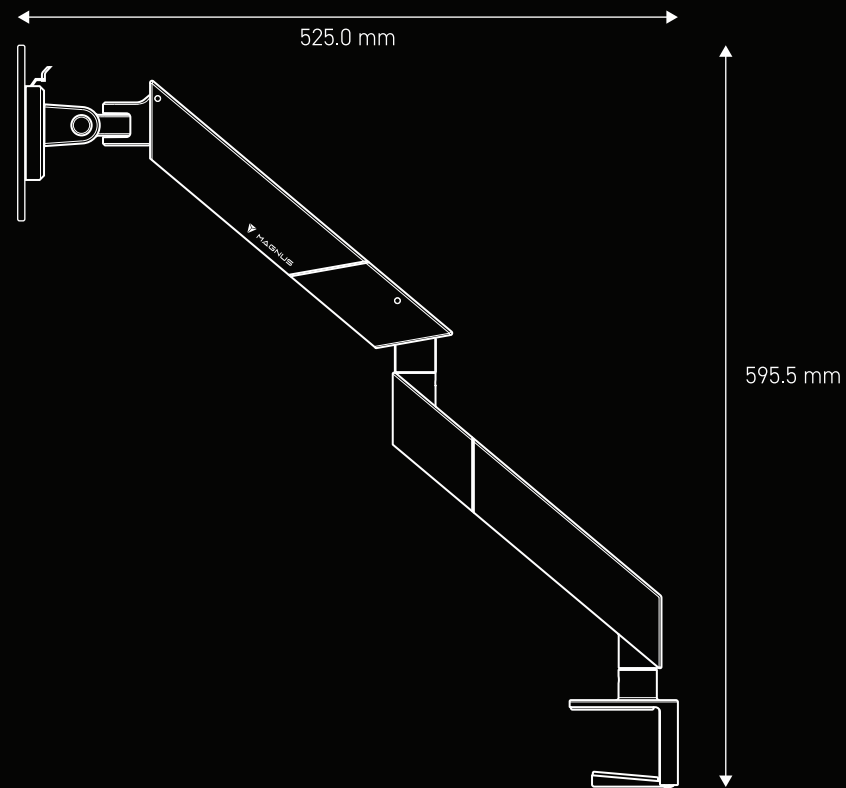
Arm Tilt Range: +70°/-90°

Screen Swivel Range: +90°/-90°

Screen Rotational Range: +90°/-90°

Height Adjustment Range: 295mm

Extended Arm Reach: 515.7mm



## AFTERCARE GUIDE



### Do not use your monitor arm outside of it's intended usage.

Improper use can damage your monitor arm or even cause injuries. To ensure your safety, always follow the given instructions.



### Clean with damp cloth.

Use a solution of mild soap and warm water applied to a damp cloth to remove dirt and impurities. Dry with a clean cloth immediately afterwards.



### Do not abuse it

Even the toughest of monitor arms will not be able to stand up to rough and inappropriate use. Keep your monitor arm away from impacts, drops and sharp objects.



### Do not use abrasive scrubbers or harsh cleaners

Avoid abrasive cleaners as they can damage the powder-coated finish of your monitor arm.



### Avoid exposure to direct or prolonged sunlight

Do not expose your monitor arm to direct and prolonged periods of sunlight or heat sources as fading and cracking of the surface finish may occur.

## USE AND LIABILITY



The Secretlab MAGNUS Single Monitor Arm is designed for indoor use and dry work areas only. Under no circumstances does the manufacturer accept warranty claims or liability claims for damages caused from improper use or handling of the extension desk. For warranty terms and service or any other queries, scan the QR code or visit our website [secretlab.co/support](https://secretlab.co/support).

## OTHER LANGUAGES



To view this manual in the following languages, please scan the QR Code to the left.

Pour consulter ce manuel dans les langues suivantes, veuillez scanner le QR code à gauche.

Um dieses Handbuch in den folgenden Sprachen anzuzeigen, scannen Sie bitte den QR-Code auf der linken Seite.

Scan de QR-code naar links om deze handleiding in de volgende talen te bekijken.

이 설명서를 다음 언어로 보시려면 왼쪽에 있는 QR 코드를 스캔하세요.