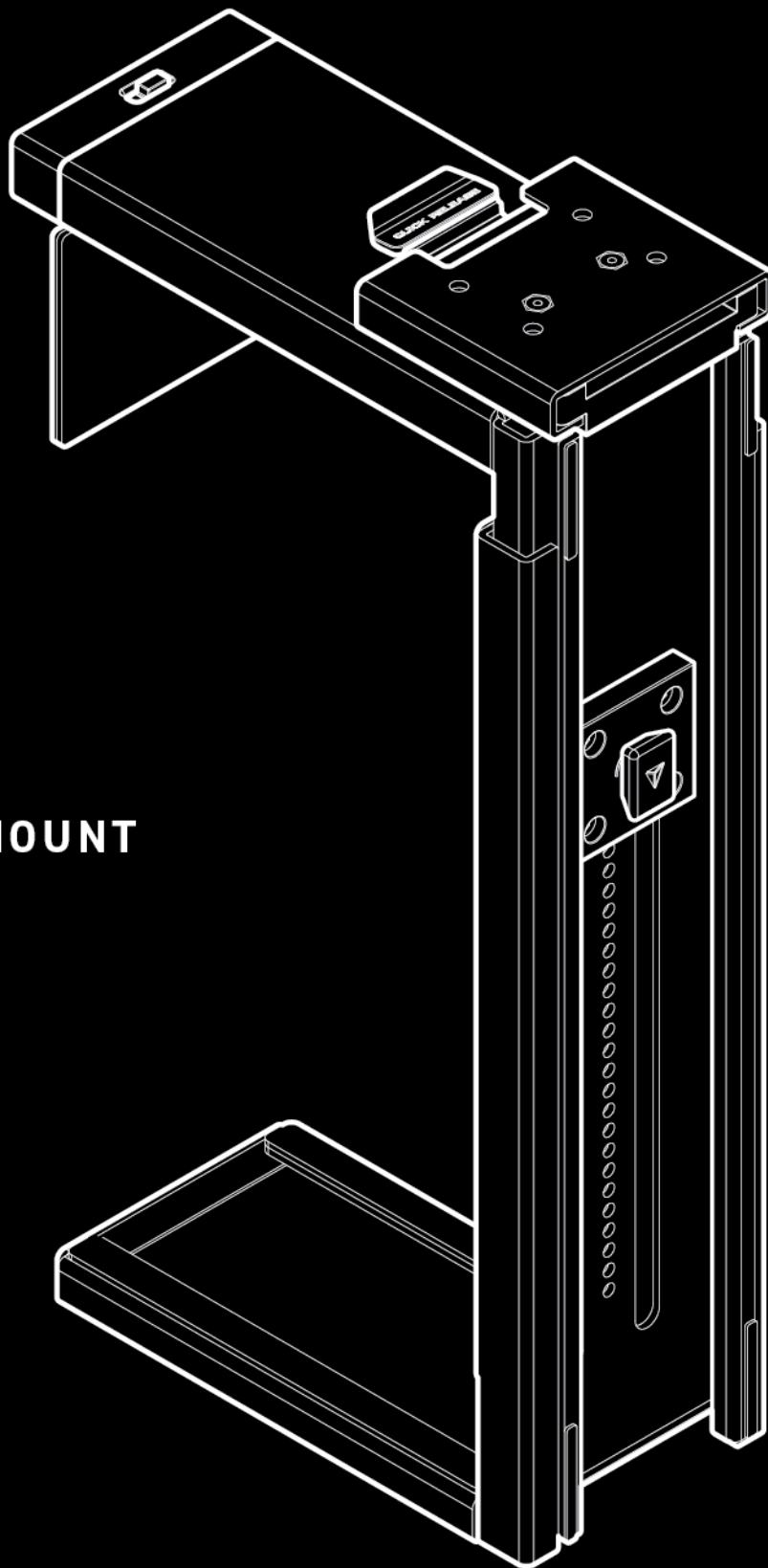




## SECRET LAB PREMIUM PC MOUNT

Assembly Guide and User Manual





## OTHER LANGUAGES



To view this manual in the following languages, please scan the QR Code to the left.

Pour consulter ce manuel dans les langues suivantes, veuillez scanner le QR code à gauche.

Um dieses Handbuch in den folgenden Sprachen anzuzeigen, scannen Sie bitte den QR-Code auf der linken Seite.

Scan de QR-code naar links om deze handleiding in de volgende talen te bekijken.

이 설명서를 다음 언어로 보시려면 왼쪽에 있는 QR 코드를 스캔하세요.

Untuk melihat manual ini dalam bahasa berikut, sila imbas Kod QR ke kiri.

## IMPORTANT SAFETY INSTRUCTIONS

This user manual contains important safety regulations. Any non-conforming use may result in personal injury or mechanical damage. Please read this user manual carefully before use as it provides key information about safety, use, assembly and maintenance of the Secretlab Premium PC Mount.

Ensure you have received all parts according to the **What's In the Box** section prior to installation. If any parts are missing or faulty, contact the Secretlab support team for replacements. This product contains small items that could be a choking hazard if swallowed. Keep these items away from children and pets. Do not overtighten the screws during installation. The Secretlab Premium PC Mount is designed for the Secretlab MAGNUS Pro only. Alteration or modding of any factory components outlined in the What's In the Box section will automatically void your warranty.



This PC Mount is not intended for use by children without adult supervision.



Do not exceed the maximum load capacity of the PC Mount (25kg/55lb).



Exercise care during installation to avoid trapping fingers.



Do not dismantle or modify the PC Mount. Do not install and use this PC Mount on other desks other than the Secretlab MAGNUS Pro.



**WARNING:** Keep your PC case away from impacts when it is mounted onto the PC Mount.



**WARNING:** Be wary when lowering the height of your Secretlab MAGNUS Pro to avoid any collision.



**WARNING:** If you have the PC Mount installed and need to perform calibration/reset on your Secretlab MAGNUS Pro, we recommend removing the PC Mount first before resetting.

## USE AND LIABILITY



The Secretlab Premium PC Mount is designed for indoor use and dry work areas only. Under no circumstances does the manufacturer accept warranty claims or liability claims for damages caused from improper use or handling of the PC Mount. For warranty terms and service or any other queries, scan the QR code or visit our website [secretlab.co/support](https://secretlab.co/support).

# PRODUCT SPECIFICATIONS

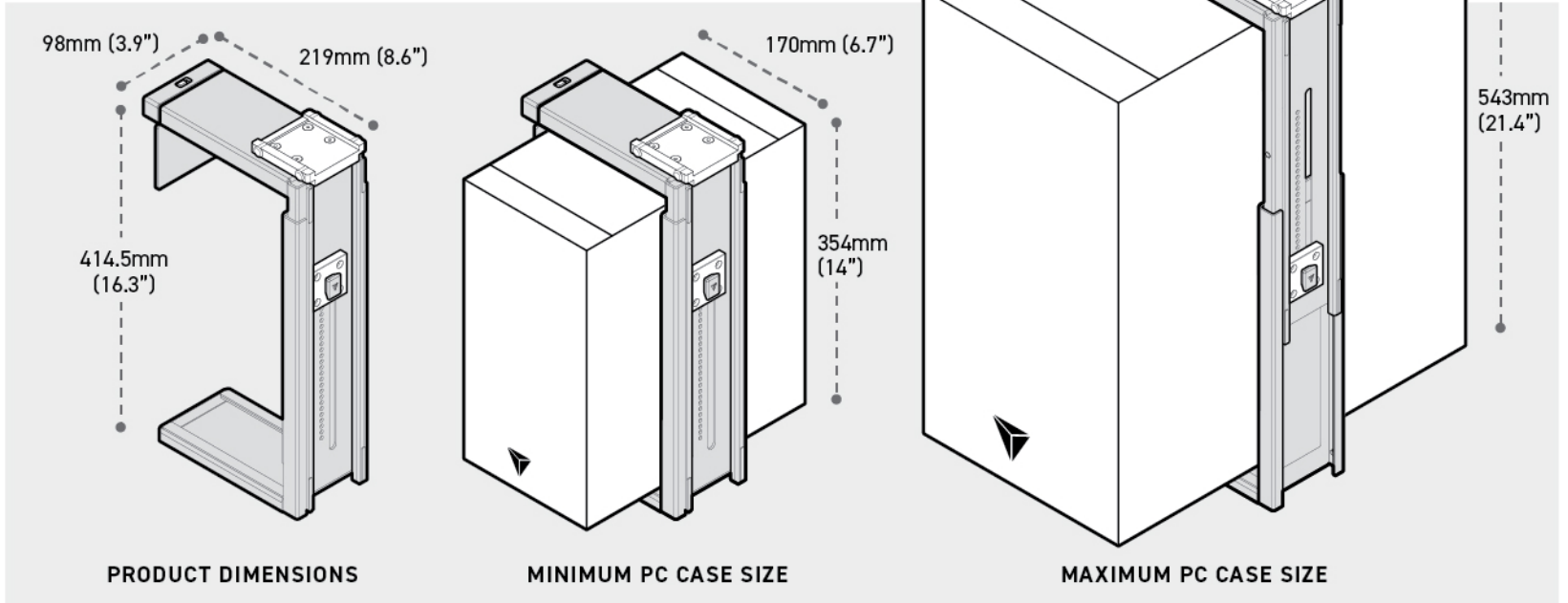
**Product Dimensions:** 219 (L) x 98 (W) x 414.5 (H) mm (8.6 x 3.9 x 16.3")

**Product Weight:** 3 - 4kg (6.6 - 8.8lb)

**Height Adjustment Range:** 354 - 543mm (14 - 21.4")

**Width Adjustment Range:** 170 - 300mm (6.7 - 11.8")

**Weight Capacity:** 25kg (55lb)



# AFTERCARE GUIDE



**Do not use your PC mount outside of its intended usage.**

Improper use can damage your PC Mount or even cause injuries. To ensure your safety, always follow the given instructions.



**Do not use abrasive scrubbers or harsh cleaners**

Avoid abrasive cleaners as they can damage the powder-coated finish of your PC Mount.



**Clean with damp cloth.**

Use a solution of mild soap and warm water applied to a damp cloth to remove dirt and impurities. Dry with a clean cloth immediately afterwards.



**Avoid exposure to direct or prolonged sunlight**

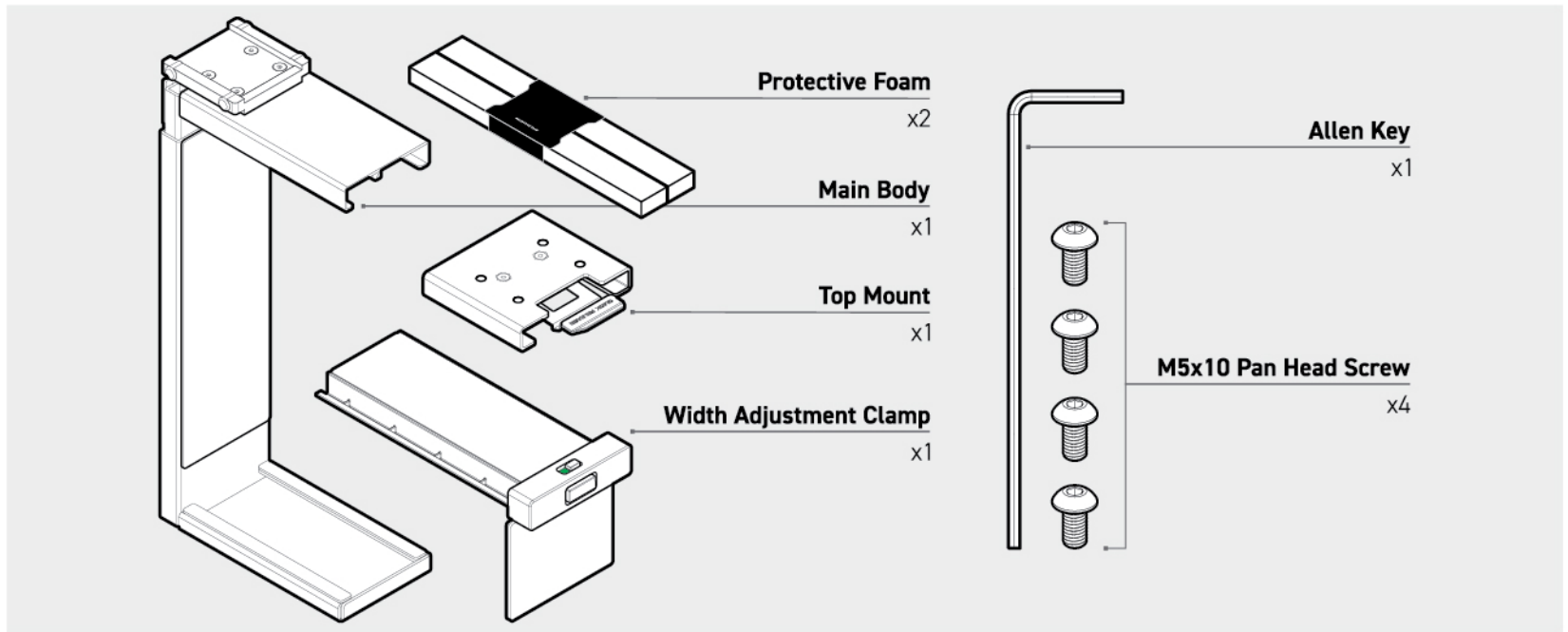
Do not expose your PC Mount to direct and prolonged periods of sunlight or heat sources as fading and cracking of the surface finish may occur.



**Do not abuse it**

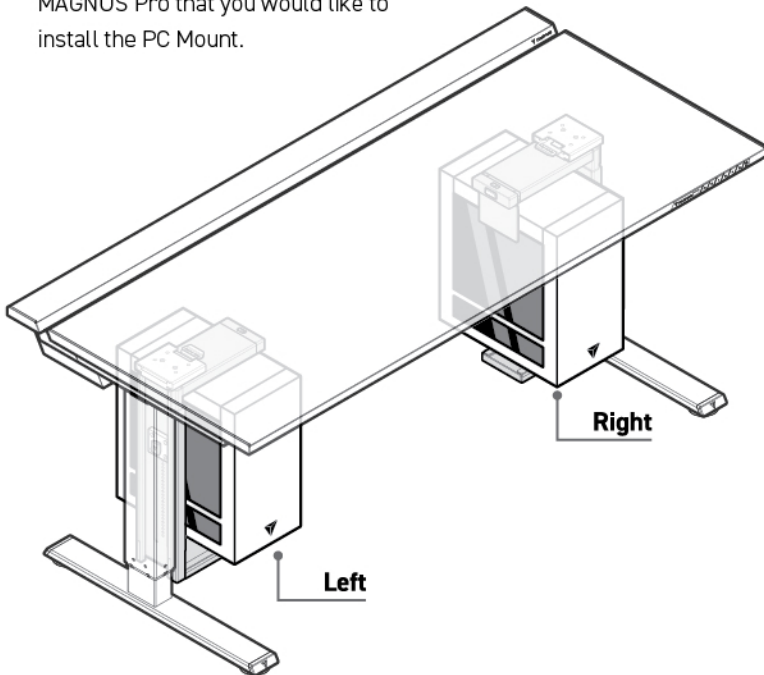
Even the toughest of PC Mount will not be able to stand up to rough and inappropriate use. Keep your PC Mount away from impacts, drops and sharp objects.

## WHAT'S IN THE BOX

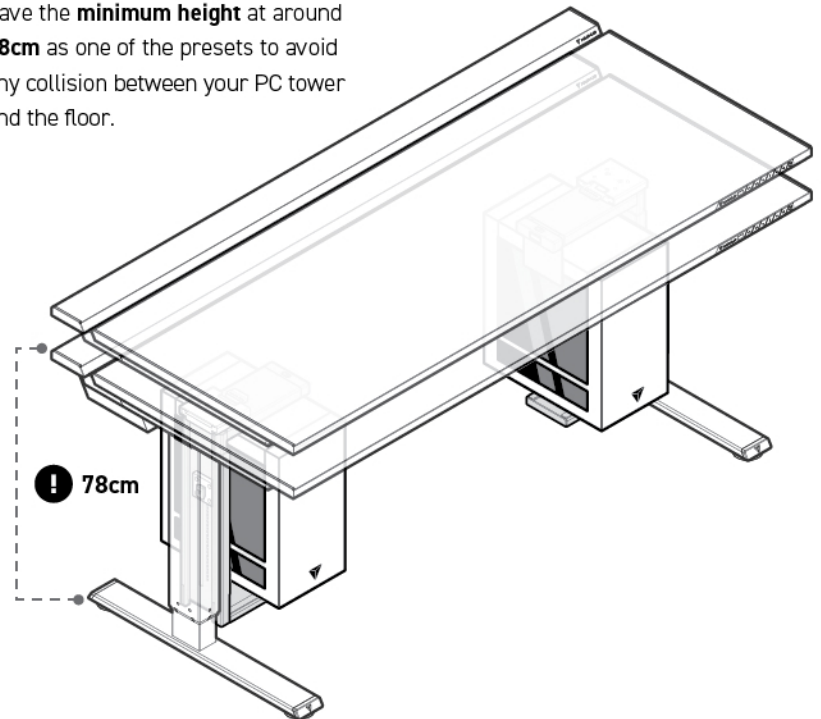


## BEFORE YOU START

Decide which side of the Secretlab MAGNUS Pro that you would like to install the PC Mount.

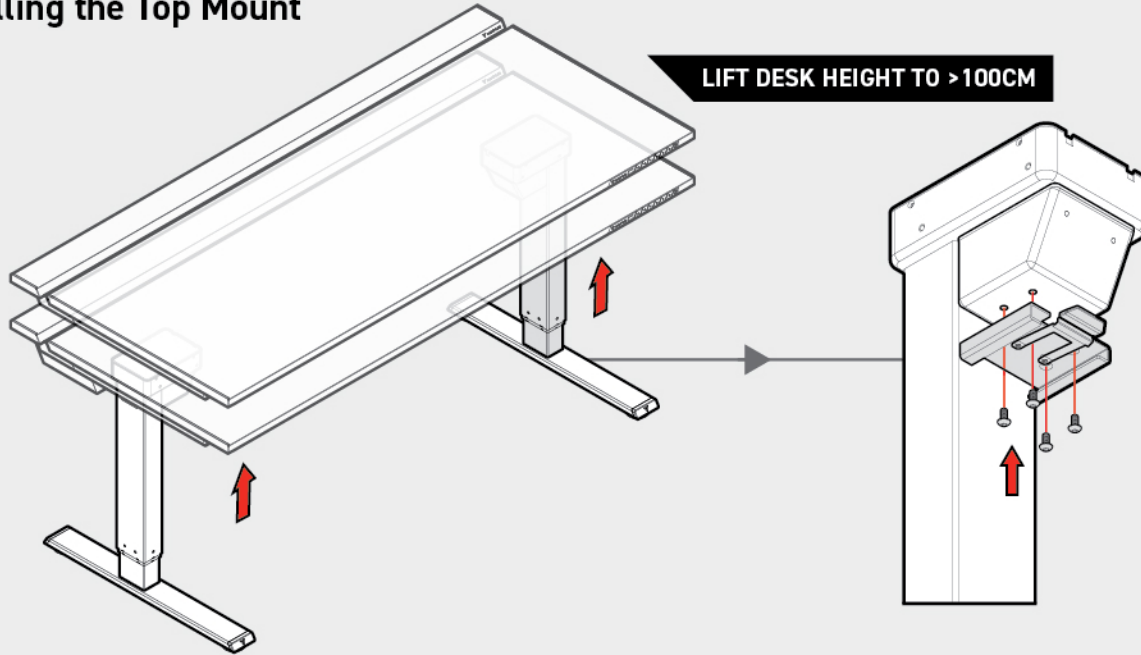


Save the **minimum height** at around **78cm** as one of the presets to avoid any collision between your PC tower and the floor.

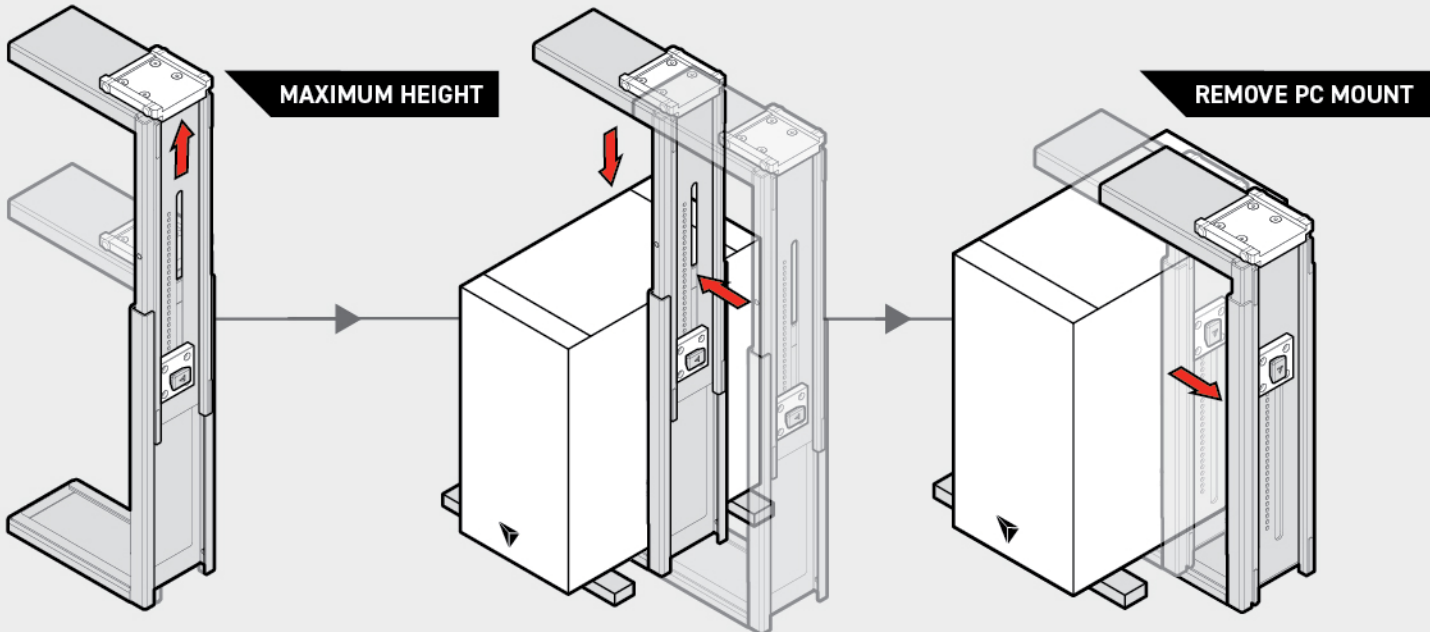


# QUICK START GUIDE

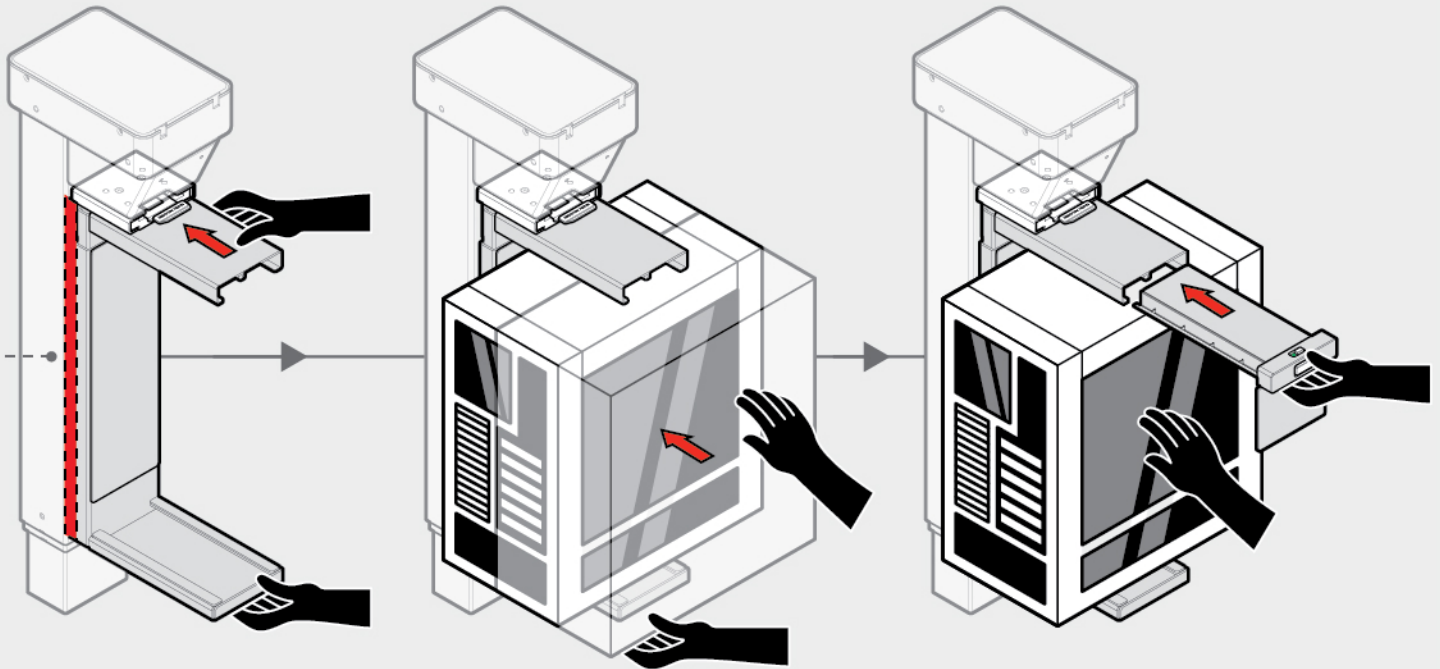
## 01 Installing the Top Mount



## 02 Adjusting the PC Mount Height



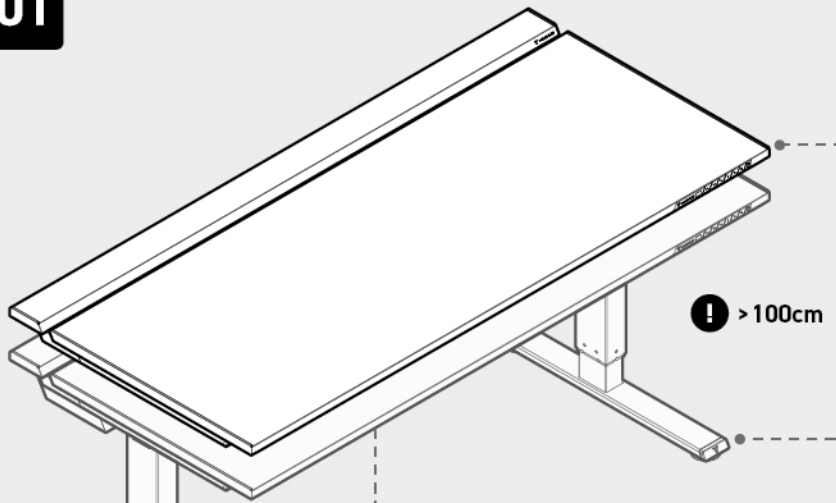
**03** Installing the PC Mount and PC Tower




# ASSEMBLY GUIDE

This section provides detailed assembly instructions of the Secretlab Premium PC Mount to your Secretlab MAGNUS Pro.

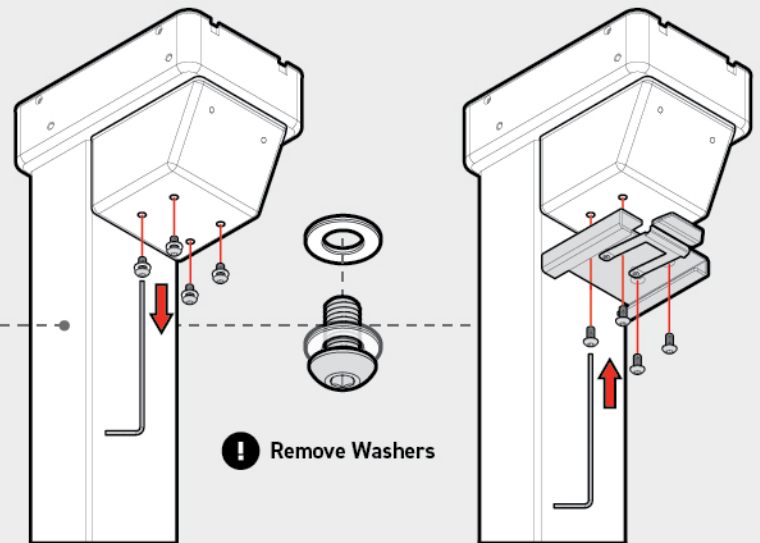
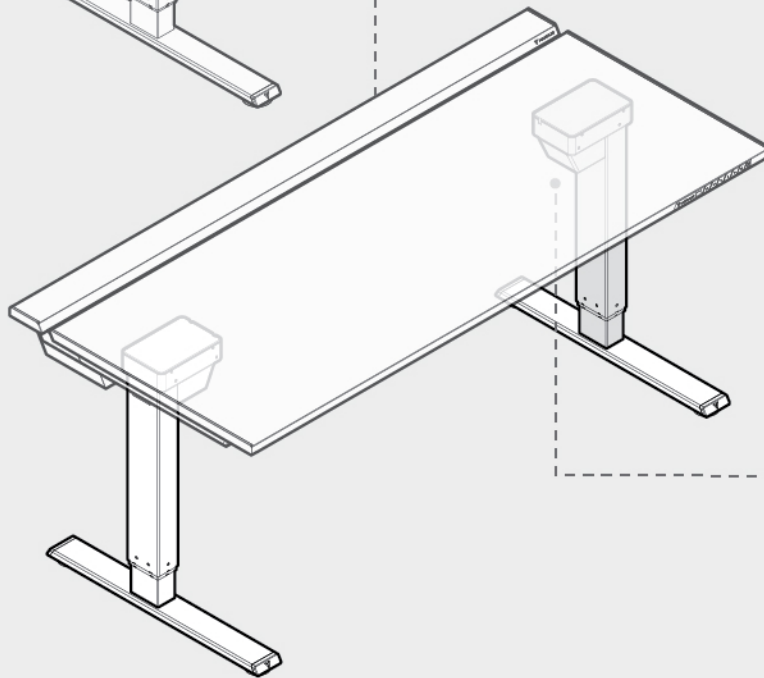
01



Press  to lift the desk to **> 100cm**.  
This will help with the installation  
of the **Top Mount**.

Remove the 4 screws that are pre-installed  
on the underside of the Secretlab MAGNUS  
Pro Motorized Leg Column using the Allen  
Key provided. **Remove the plastic washers.**

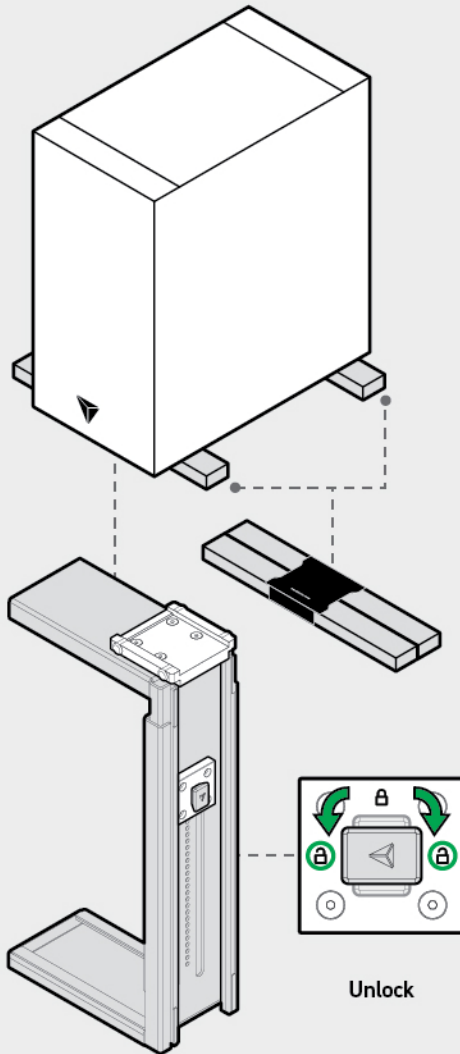
Position the **Top Mount** over the mounting  
holes on the Motorized Leg Column.  
Attach the **Top Mount** on by fastening the  
same screws that were previously removed.





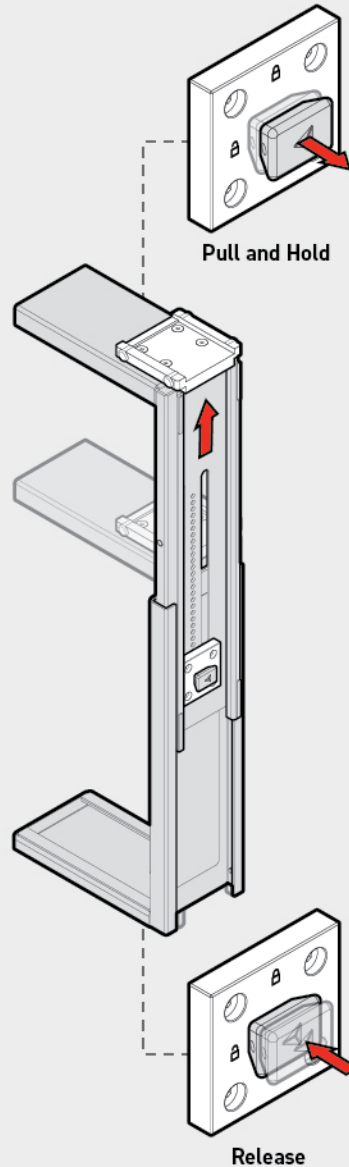
## 02

Place your PC tower onto the **Protective Foam** to raise its height to allow the PC Mount to slot in and out.



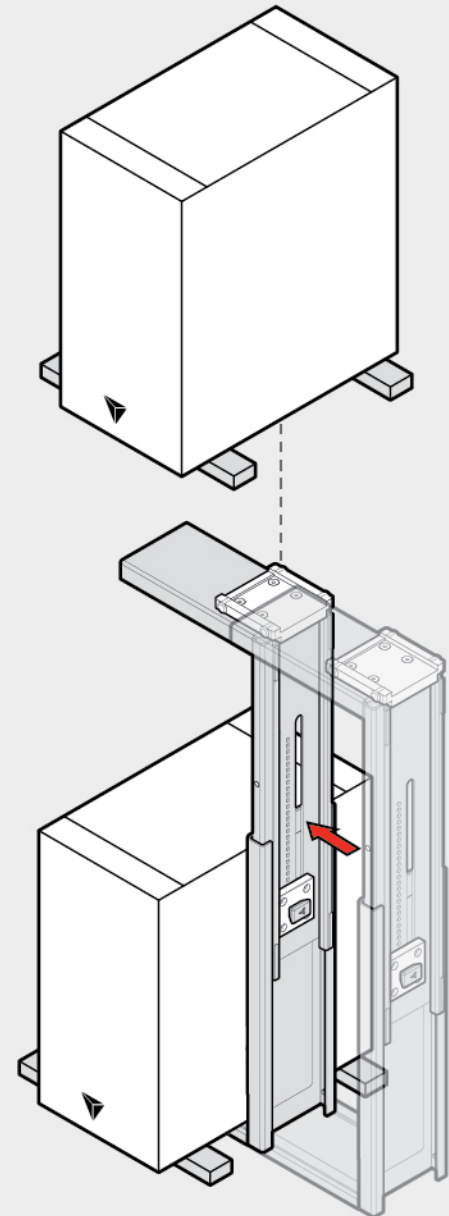
**Unlock:** Rotate the **Height Adjustment Button** 90 degrees to unlock and prepare for height adjustment.

**Height Adjustment:** Adjust the PC Mount to the **maximum height** by pulling and holding the button as you slide the PC Mount to the maximum height. Release the button.



**NOTE:** We recommend to place your PC and the PC Mount on a debris-free area to protect the surface on the underside.

Slot the PC Mount sideways onto your PC tower to prepare for the next step.



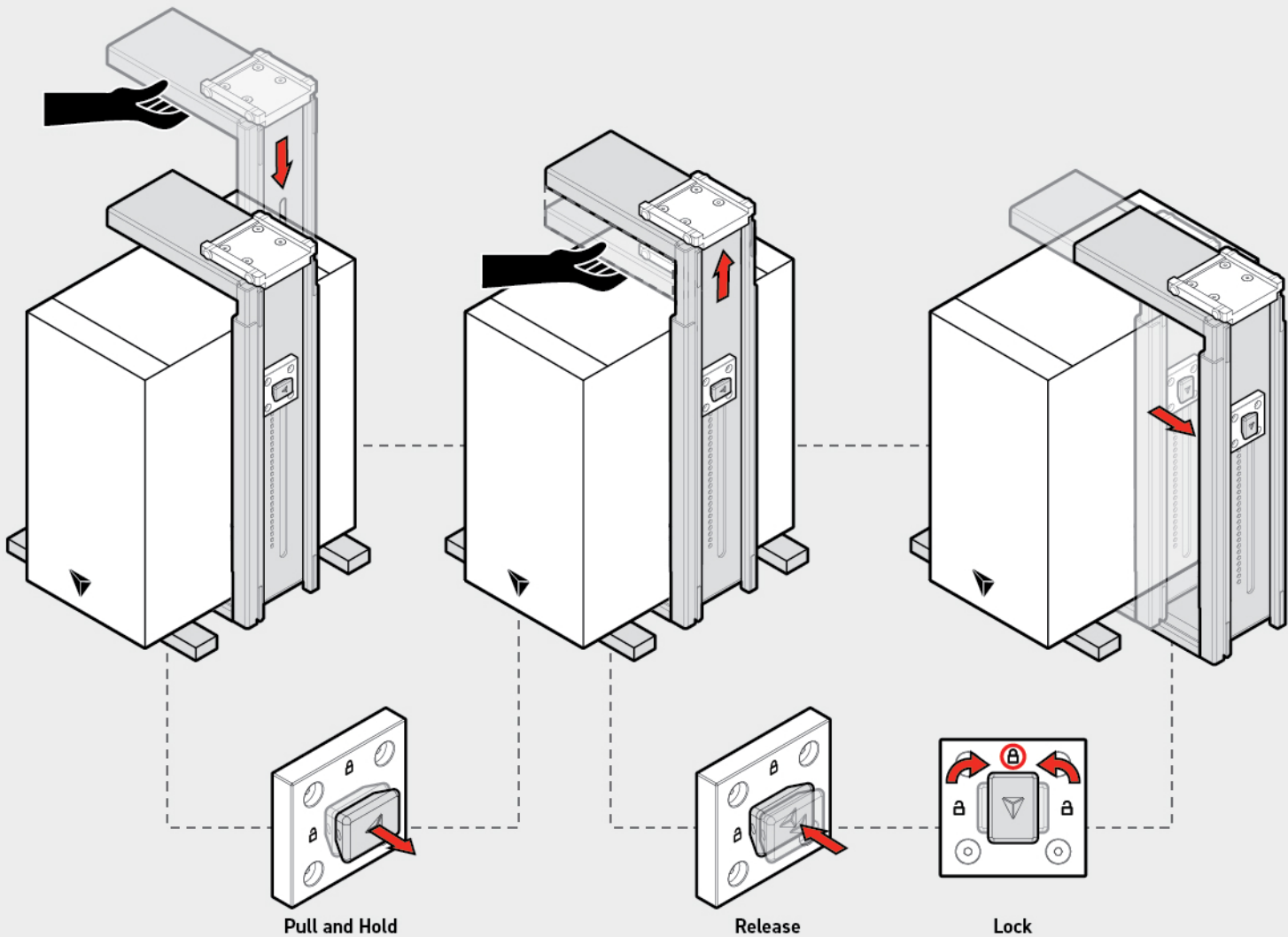
## 03

**WARNING:** Do not mount the PC Mount onto the Secretlab MAGNUS Pro first.

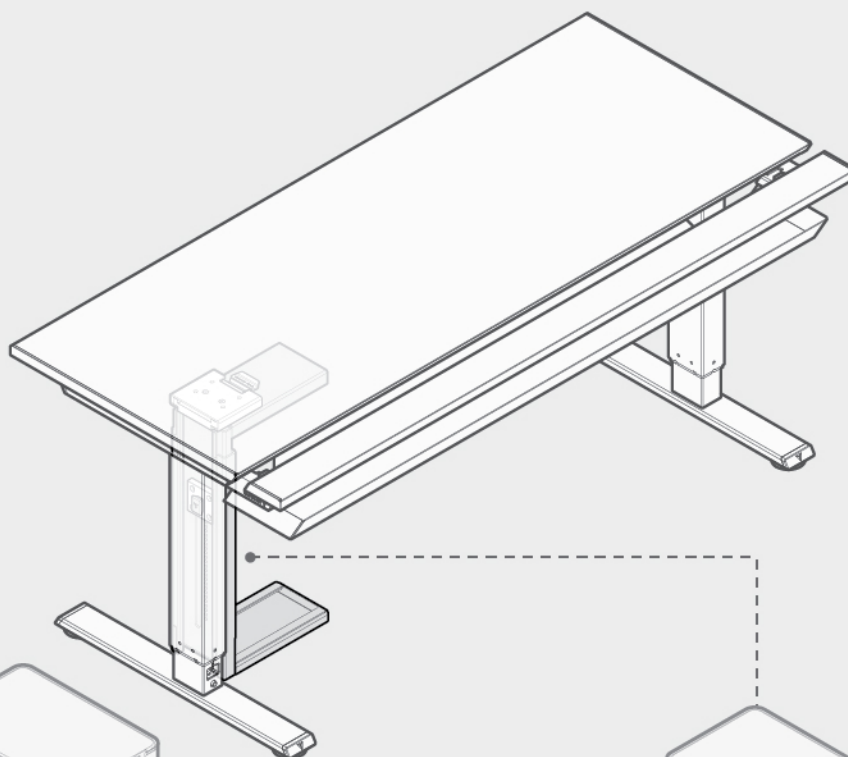
Hold the top of the PC Mount as you lower the height, adjusting to fit your PC tower.

Raise the height of the PC Mount **1 step** higher than the PC tower so that it can be removed in the following step.

**Lock:** Rotate the **Height Adjustment Button** 90 degrees back to the original position to lock it. **Remove** the PC Mount from the PC tower.



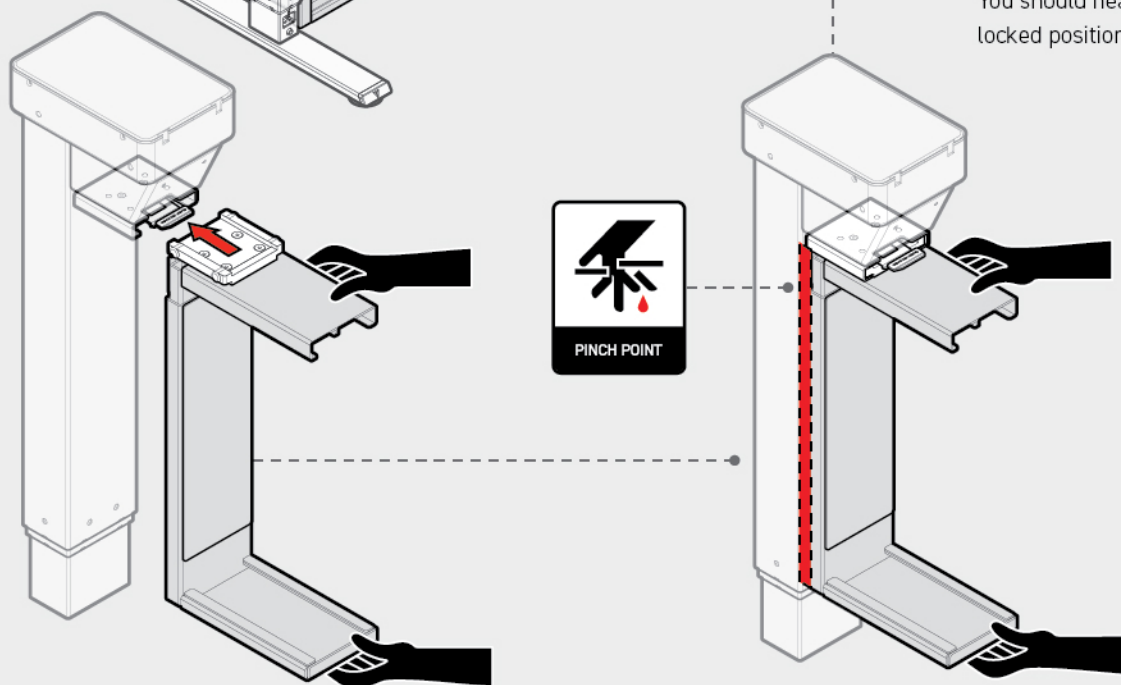
04



Attach the PC Mount to the Motorized Leg Column by sliding it into the **Top Mount** that was previously installed in Step 1.

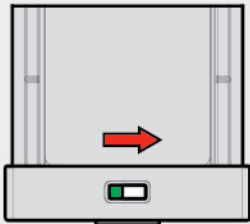
**WARNING:** Exercise care during the installation of the PC Mount to avoid trapping fingers.

You should hear the PC Mount click into a locked position when it is fully attached.



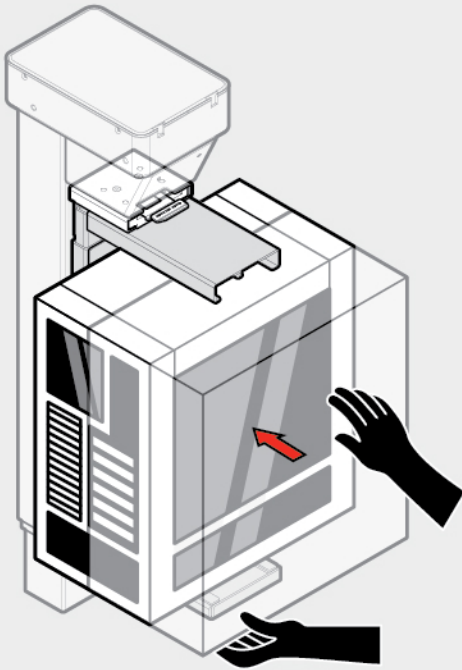
## 05

Prior to this step, have the **Width Adjustment Clamp** within reach and ensure that it is unlocked.



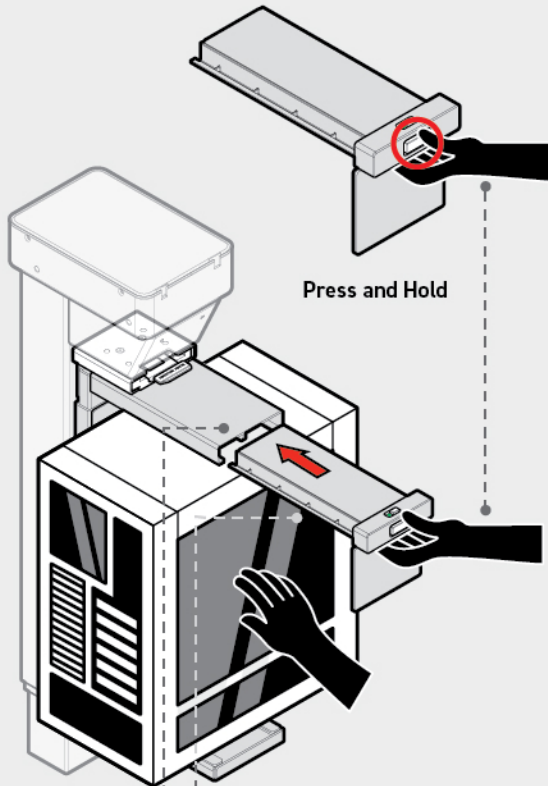
Unlock

**! WARNING:** Always support the PC tower with one hand during this step.

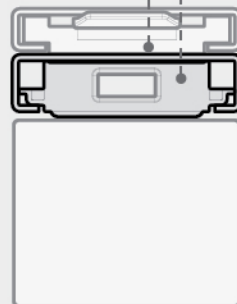


Place your PC tower sideways onto the PC Mount and have it centered about the mount.

With one hand still supporting the PC tower, reach for the **Width Adjustment Clamp** and press and hold the **Width Adjustment Button**.



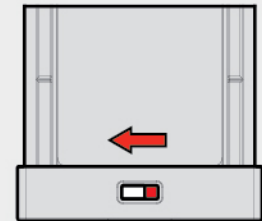
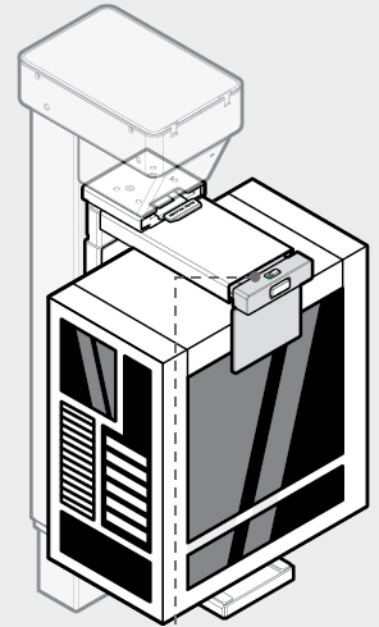
Press and Hold



Slide the **Width Adjustment Clamp** into the top part of the PC Mount as seen in the diagram to clamp the PC tower down horizontally.

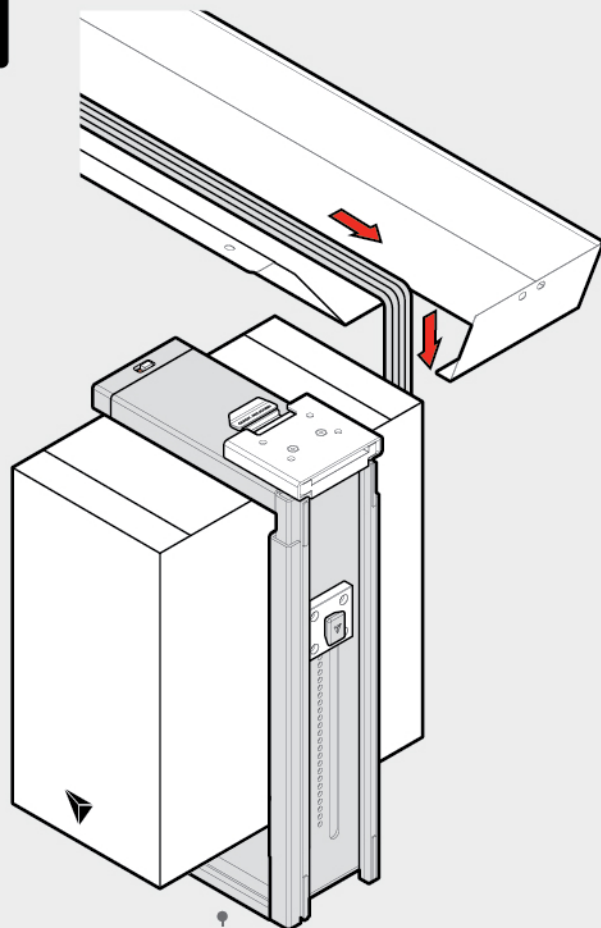
**Width Adjustment Lock:**

Slide the **Lock Button** to the left to lock to prevent accidental adjustment.



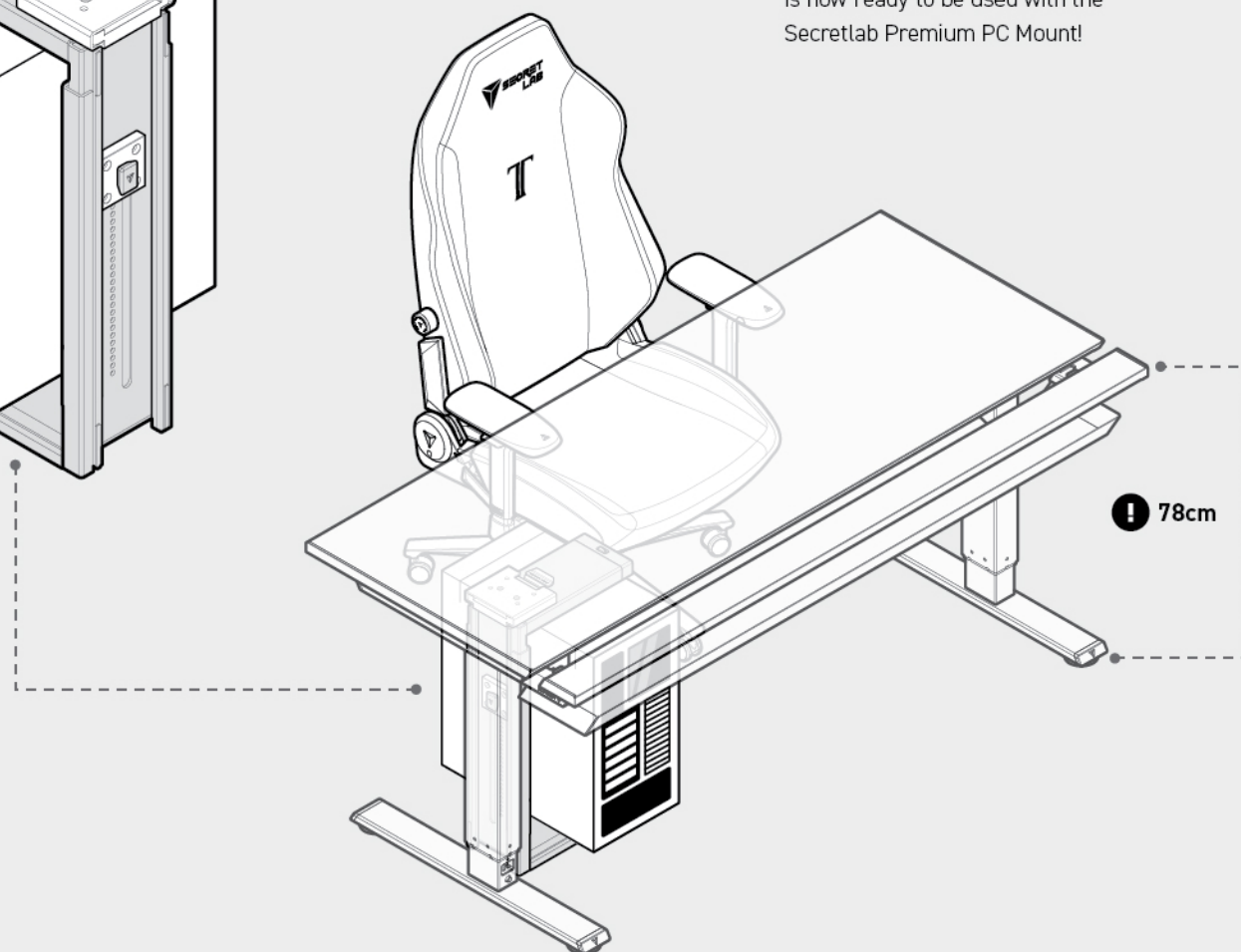
Lock

06



Drop the cables from the side of the Cable Tray of your Secretlab MAGNUS Pro down to connect the cables to your PC.

Ensure that the **minimum height** of **78cm** has been set as one of the presets. Your Secretlab MAGNUS Pro is now ready to be used with the Secretlab Premium PC Mount!

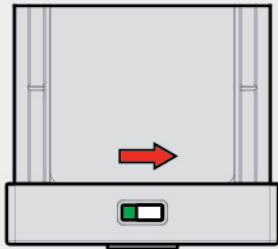


## DISASSEMBLY GUIDE

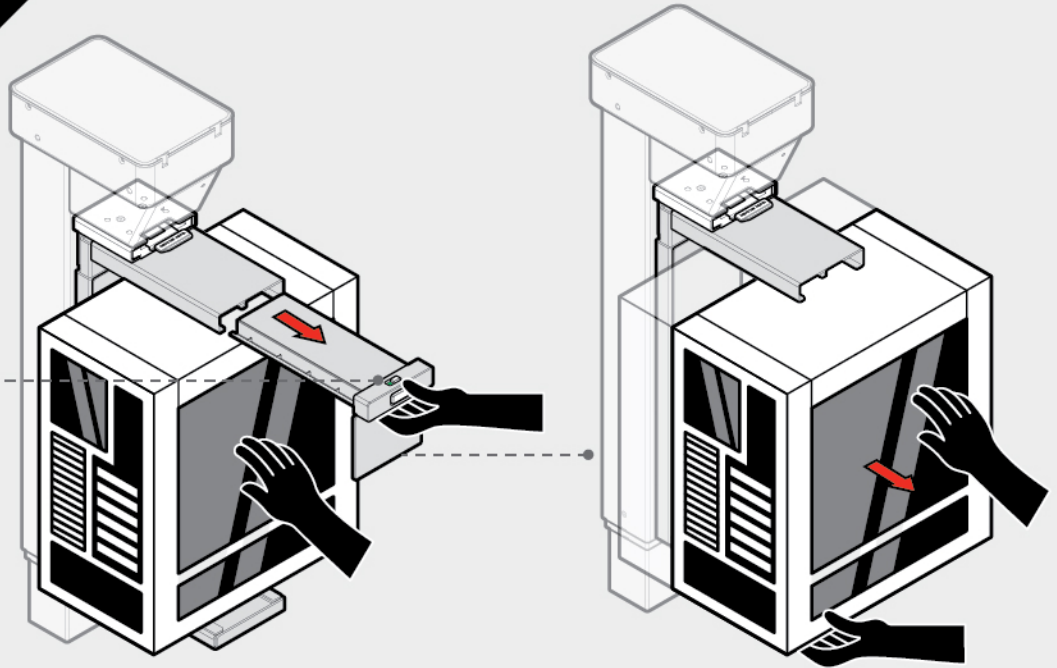
Follow these disassembly instructions if you choose to remove the PC Mount from your Secretlab MAGNUS Pro.

**WARNING:** Support the PC tower with one hand while you adjust the Width Adjustment Clamp.

Slide the **Lock Button** to the right to unlock the **Width Adjustment Clamp**. Press and hold the **Width Adjustment Button** to slide and remove the Width Adjustment Clamp. Remove the PC tower sideways from the PC Mount.

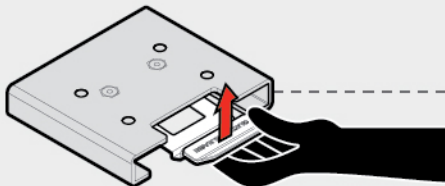


Unlock

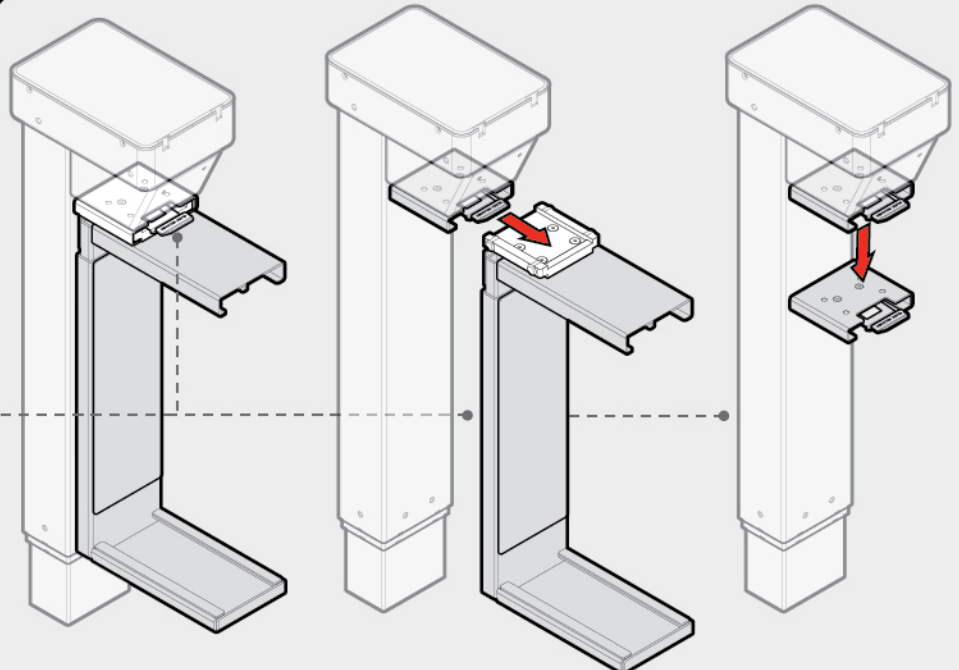


**WARNING:** Do not trigger the Quick Release Pedal when a PC tower is mounted on the PC Mount.

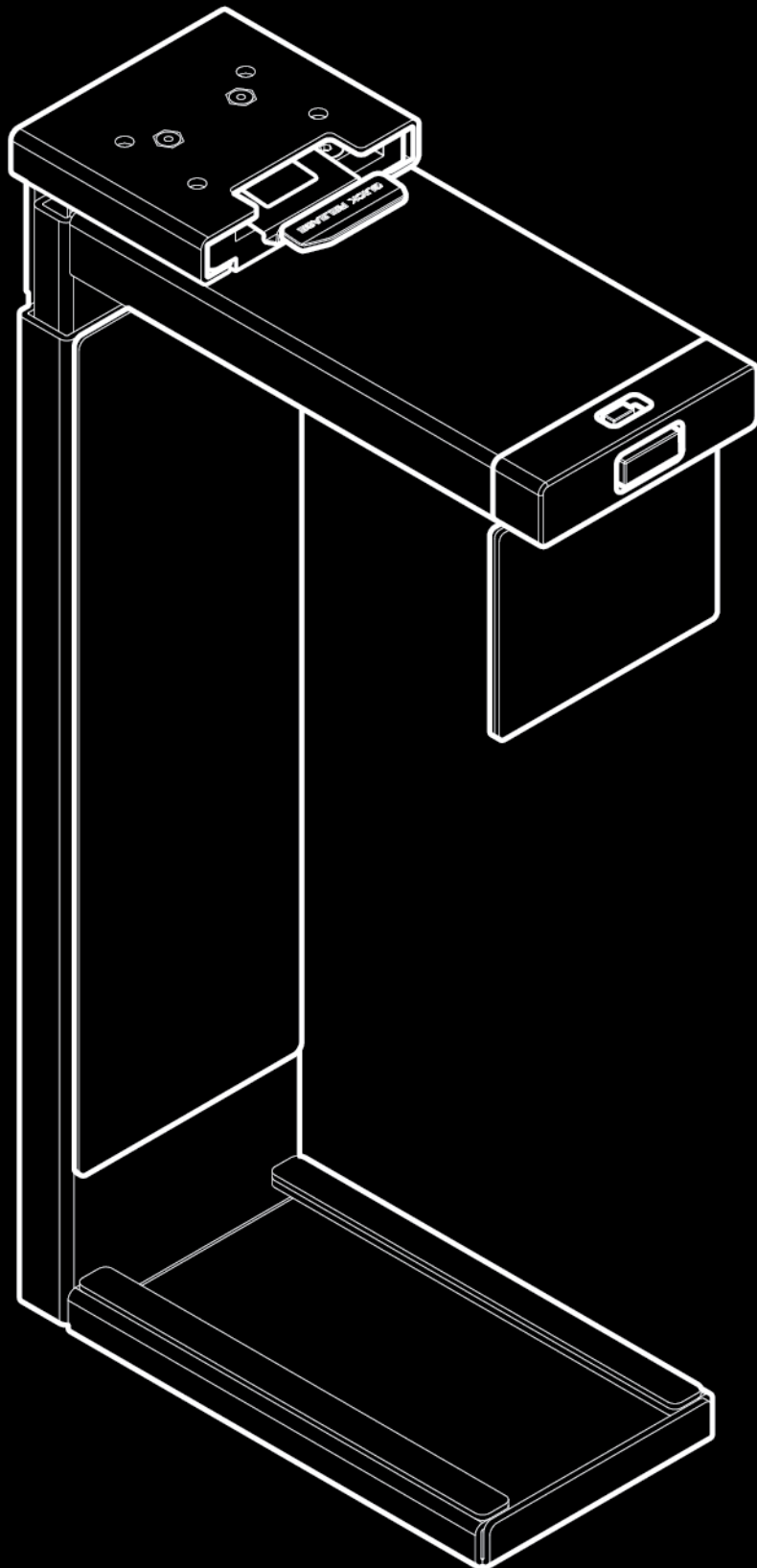
Remove the PC Mount from the Motorized Leg Column by pulling the **Quick Release Pedal** upward and sliding it out. Remove the **Top Mount** from the Motorized Leg Column.



Pull Upward







Don't stop here - discover other accessories to complete your MAGNUS setup. Enjoy next-level performance engineered just for you.