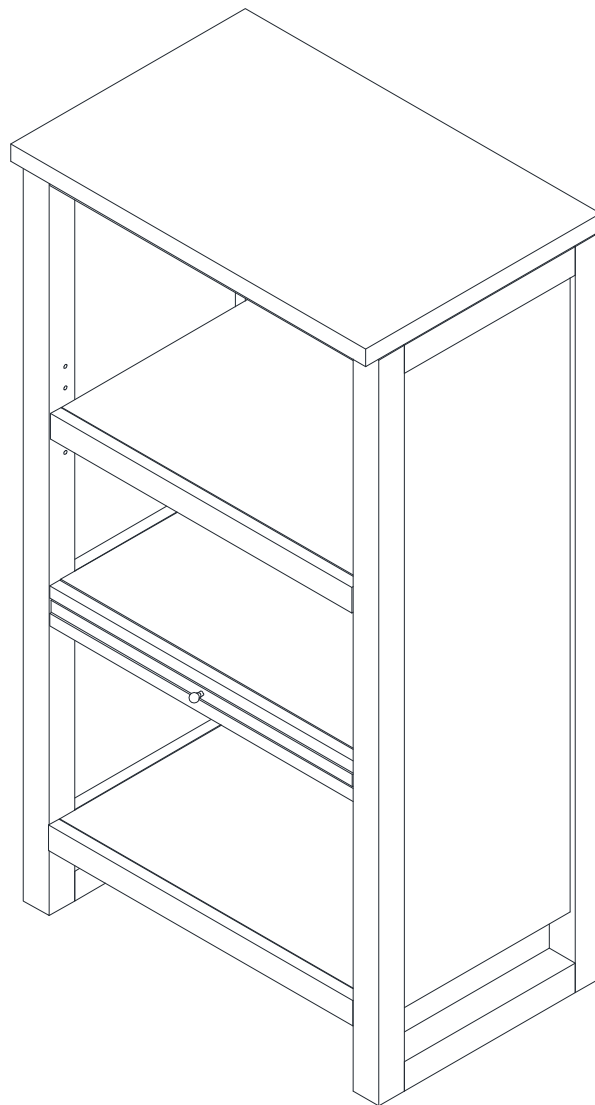


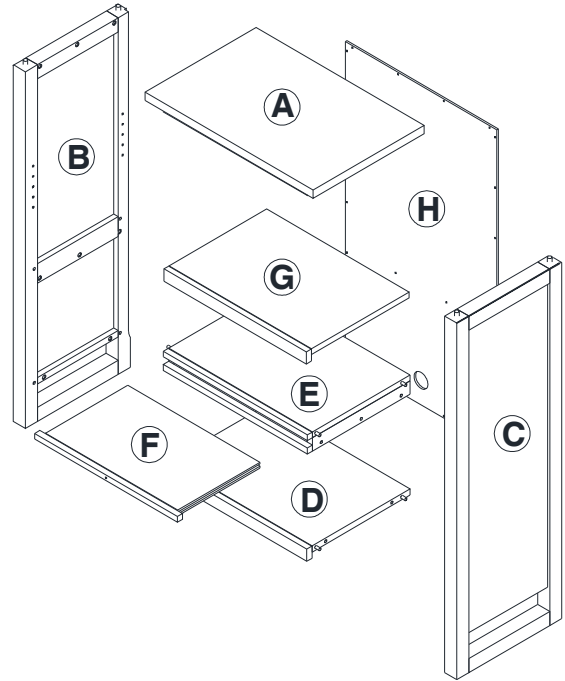
# DOVER BOOKCASE

## ASSEMBLY INSTRUCTIONS



**PARTS INCLUDED:**

- (A) Top Panel – 1pc
- (B) Left Panel – 1pc
- (C) Right Panel – 1pc
- (D) Bottom Panel – 1pc
- (E) Tray Case – 1pc
- (F) Tray – 1pc
- (G) Shelf – 1pc
- (H) Back Panel – 1pc


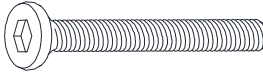
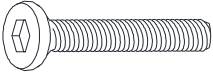
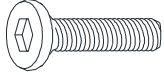




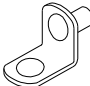

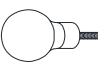


**TOOLS REQUIRED:**

Philips Screwdriver (Not included)



**HARDWARE LIST:**

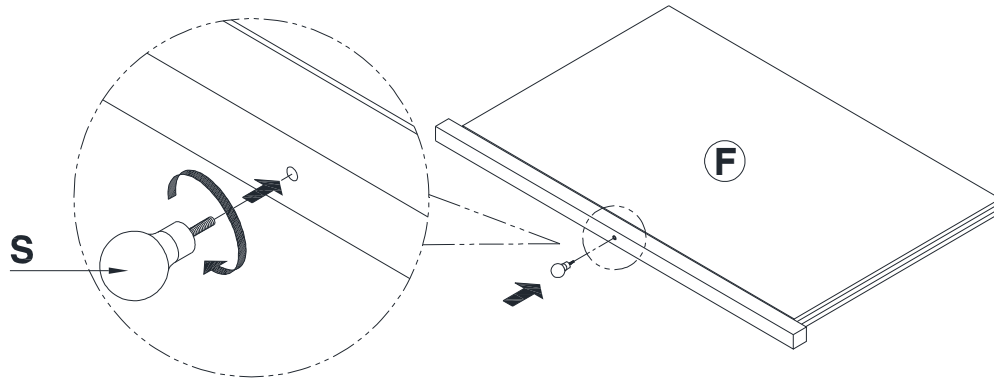
		
(I) Allen Key – 1x	(J) Long Bolt (1/4"x45mm) – 4x	(K) Medium Bolt (1/4"x32mm) – 12x
		
(L) Short Bolt (1/4"x25mm) – 1x	(M) Spring Washer (1/4") – 16x	(N) Flat Washer (1/4") – 16x
		
(O) Half-Moon Metal Block – 4x	(P) Rubber Washer – 1x	(Q) Shelf Pin – 4x
		
(R) Wood Screw (3.5x19mm) – 24x	(S) Knob – 1x	

**PRE-ASSEMBLY:**

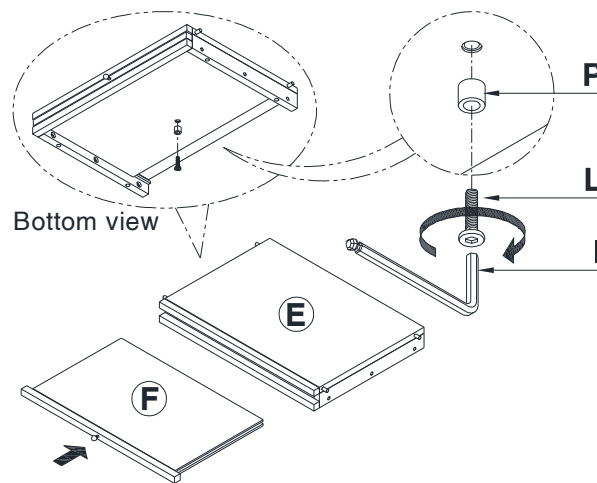
- For your safety and ease, assembly by two adults is recommended.
- Please read all instructions before beginning assembly. The illustrations provided allow for easier assembly when used in conjunction with the assembly instructions.
- Remove all parts and hardware from box and lay out on a carpeted or scratch-free work surface. The shipping box provides an ideal work surface. Do not dispose of any contents until assembly is completed to avoid accidentally discarding small parts or hardware.
- Use the parts and hardware lists to identify and separate each of the pieces included prior to starting assembly.
- Note: DO not fully tighten the bolts until all parts are in place. Failure to follow these instructions may cause the bolts to misalign during assembly.
- Do not use power drill as it may cause cracking.

**ASSEMBLY INSTRUCTIONS:**

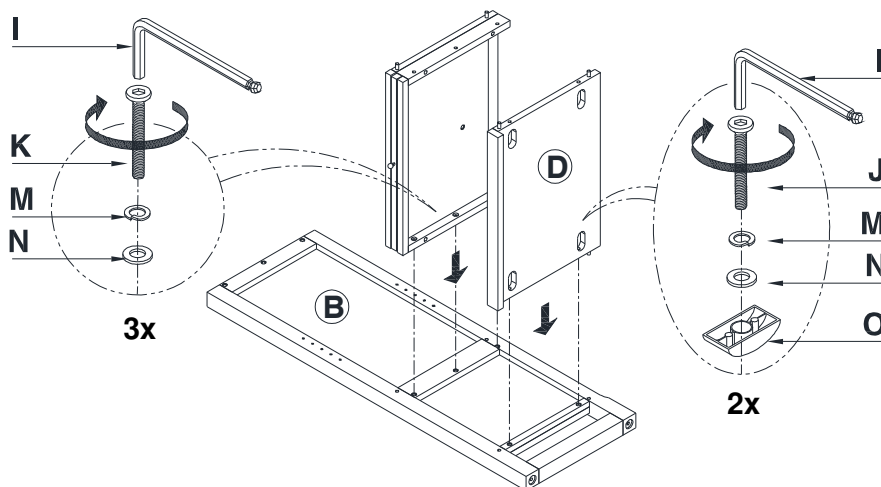
1. Thread Knob (S) into the insert nut located on the front side of Tray (F).



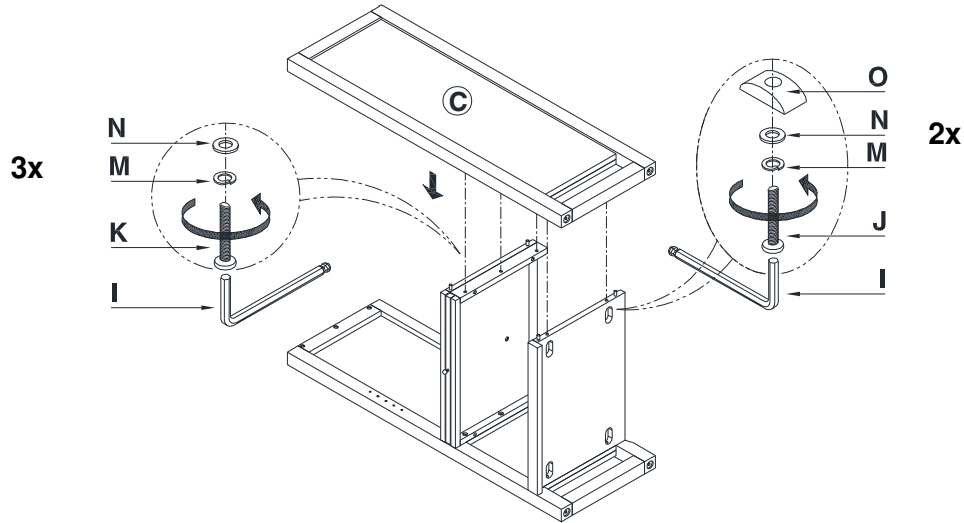
2. Place Tray (F) into Tray Case (E) through the opening in the front and push the tray inside. Set a Rubber Washer (P) onto Short Bolt (L). Insert (1x) Short Bolt (L) with Rubber Washer (P) into the pre-drilled hole on bottom of Tray (F) and loosely tighten using Allen Key (I), as shown below. Do not over tighten.



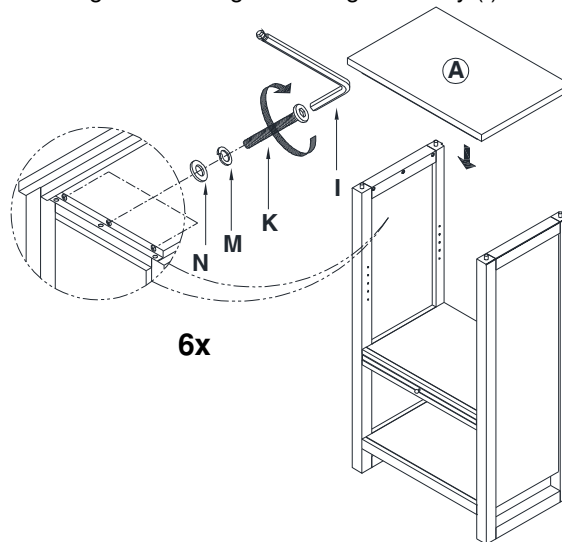
3. Connect the assembled unit in step 1 and Bottom Panel (D) to Left Panel (B) using the corresponding dowels and holes located on each part as shown below. Slide a Spring Washer (M) and a Flat Washer (N) onto each Medium Bolt (K). Insert (3x) medium bolts with washers through pre-drilled holes on the cleat of Tray Case (E) into metal inserts on Left Panel (B) and tighten using Allen key (I). Do not over tighten the bolts.
4. Slide a Spring Washer (M), a Flat Washer (N) and a Half-Moon Metal Block (O) onto each Long Bolt (J). Place (2x) long bolts with washers onto cut-outs on bottom of Bottom Panel (D) to secure the Bottom Panel to Left Panel (B) and tighten using Allen Key (I). Do not over tighten the bolts.



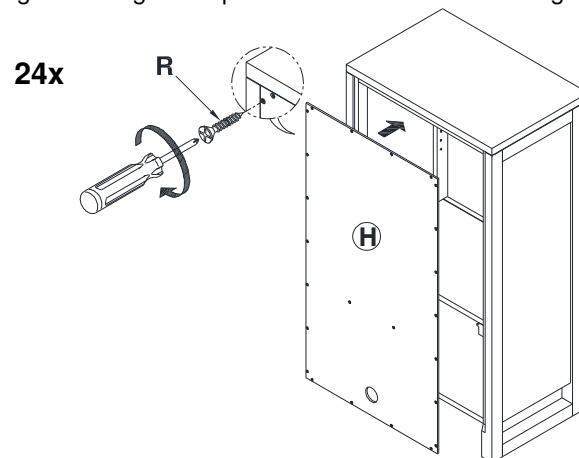
- Connect Right Panel (C) to the assembled unit in the previous step using the corresponding dowels and holes located on each part. Repeat step 2 to secure Right Panel (C) to Tray Case (E) using (3x) Medium Bolts (K).
- Repeat step 3 to secure Right Panel (C) to Bottom Panel (D) using (2x) Long Bolts (J).



- Turn the assembled unit upright. Fit and secure Top Panel (A) to the assembled unit by aligning the corresponding dowels and hole locations on each part. Slide a Spring Washer (M) and a Flat Washer (N) onto each Medium Bolt (K) and insert (3x) medium bolts with washers through pre-drilled holes on each cleat of Top Panel (A) into metal inserts on Left/Right Panel. Tighten using Allen key (I). Do not over tighten the bolts.

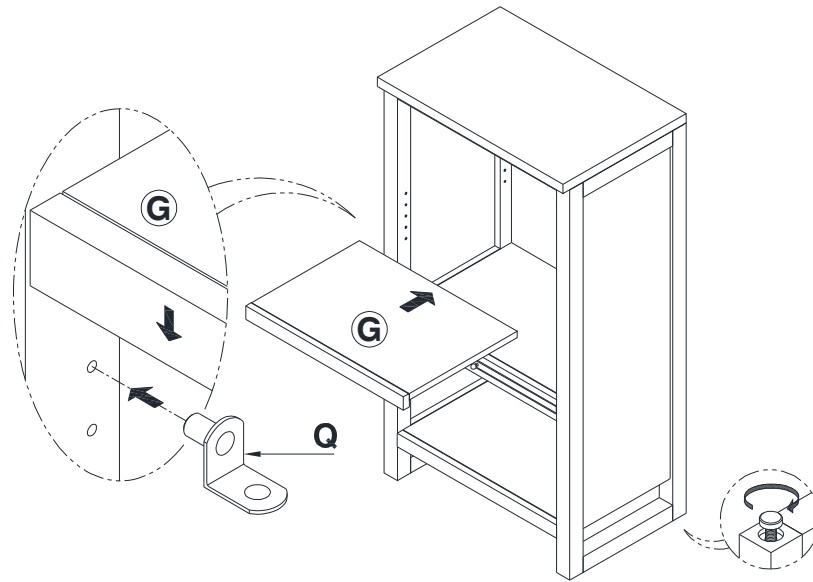


- Attach Back Panel (H) to rear side of the bookcase. Insert (24x) Wood Screw (R) into pre-drilled holes on the back panel to secure and tighten using a Philips Screwdriver. Do not over tighten.



- Insert (4x) Shelf Pin (R) into corresponding holes of desired height inside the assembled bookcase and place

Shelf (G) onto the Shelf Pins. Adjust the levelers at the bottom of the posts (up or down) to keep the unit level.



**CARE INSTRUCTIONS:**

- Dust often using a clean, soft, dry lint-free cloth.
- Blot spills immediately, and wipe with a clean, damp, cloth.
- We do not recommend the use of chemical cleansers, abrasives, or furniture polish on our lacquered finish.



## FURNITURE TIPPING RESTRAINT

**WARNING:** This product is only a deterrent. It is not a substitute for proper adult supervision. Manufacturer assumes no liability for improper installation or excessive loads placed on screws, brackets or straps.

Young children may be injured by tipping furniture and the use of a tipping restraint is highly recommended.

When properly installed, this restraint will provide protection against tipping of furniture. This tipping restraint **MUST** be secured to a wall-stud or wall structure of similar strength.

Hardware included: (2) Brackets (1) Nylon Strap  
(2) Long Stud Mounting Screws (2) Short Furniture-Side Mounting Screws

Note: For safe mounting it is essential to use the proper hardware for your wall type. The included hardware is for drywall or stud mounting only. For other wall types (e.g., plaster, concrete and brick) please consult your local hardware store for fastener advice.

To install:

**1) LOCATING THE STUDS:** Use a stud finder to locate the vertical wooden studs within your wall located behind the final position of the furniture item. Mark the stud locations with a light pencil-mark.

**2) MOUNTING THE FURNITURE-SIDE BRACKET:** Move the furniture item close to the wall to its final position. Use pieces of tape or a pencil to transcribe the stud locations of the wall onto the furniture item. Move the furniture item again so you can access its back and use the marks to locate a suitable mounting point for the furniture-side bracket. Make sure that the bracket is secured to a firm portion of the furniture frame and as high as possible. Remember: The furniture-side bracket must be positioned near a wall stud. Using a pencil, and the bracket as a guide, mark "screw marks" on the furniture item through the bracket holes.

Use a 3/32" drill bit to drill pilot holes into the furniture item at the "screw marks". Use the TWO Short screws to secure the furniture-side bracket. This bracket can be positioned either vertically or horizontal as necessary (See Figure 1).

**3) MOUNTING THE WALL-SIDE BRACKET:** Position the wall-side bracket along the selected stud mark so that it will be adjacent the furniture-side bracket when the furniture item is moved to its final position. The wall-side bracket should be about ONE inch lower than the furniture-side bracket (See Figure 3). Use the TWO Long screws to secure the wall-side bracket to the wall. Remember to position the wall-side bracket vertically so that both screws will engage the selected wall stud (See Figure 2).

**4) ATTACHING THE STRAP:** When both brackets are securely attached, move the furniture to its final desired position and thread the strap through the openings of each bracket and also through the ratcheting "buckle". Tighten the strap until several "clicks" are heard. The furniture item is now securely tethered to the wall.

Note: If you must move the furniture item, you can release the strap by depressing the lever arm located at its buckle and simultaneously withdrawing the strap from the buckle. Make sure to reconnect the strap once the furniture item is returned to its previous position.

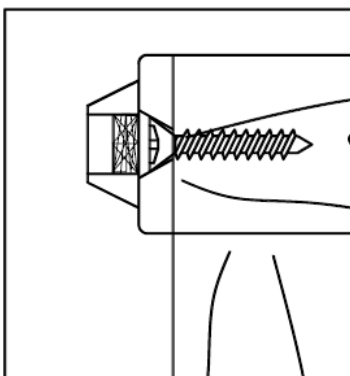


Figure 1

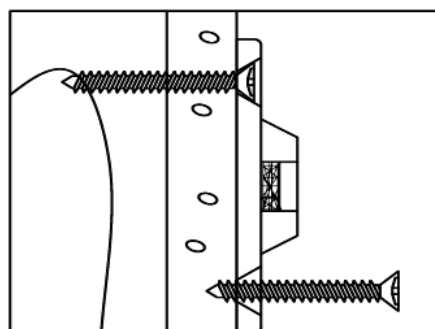


Figure 2

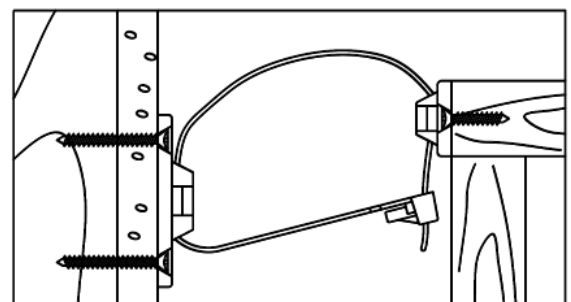


Figure 3