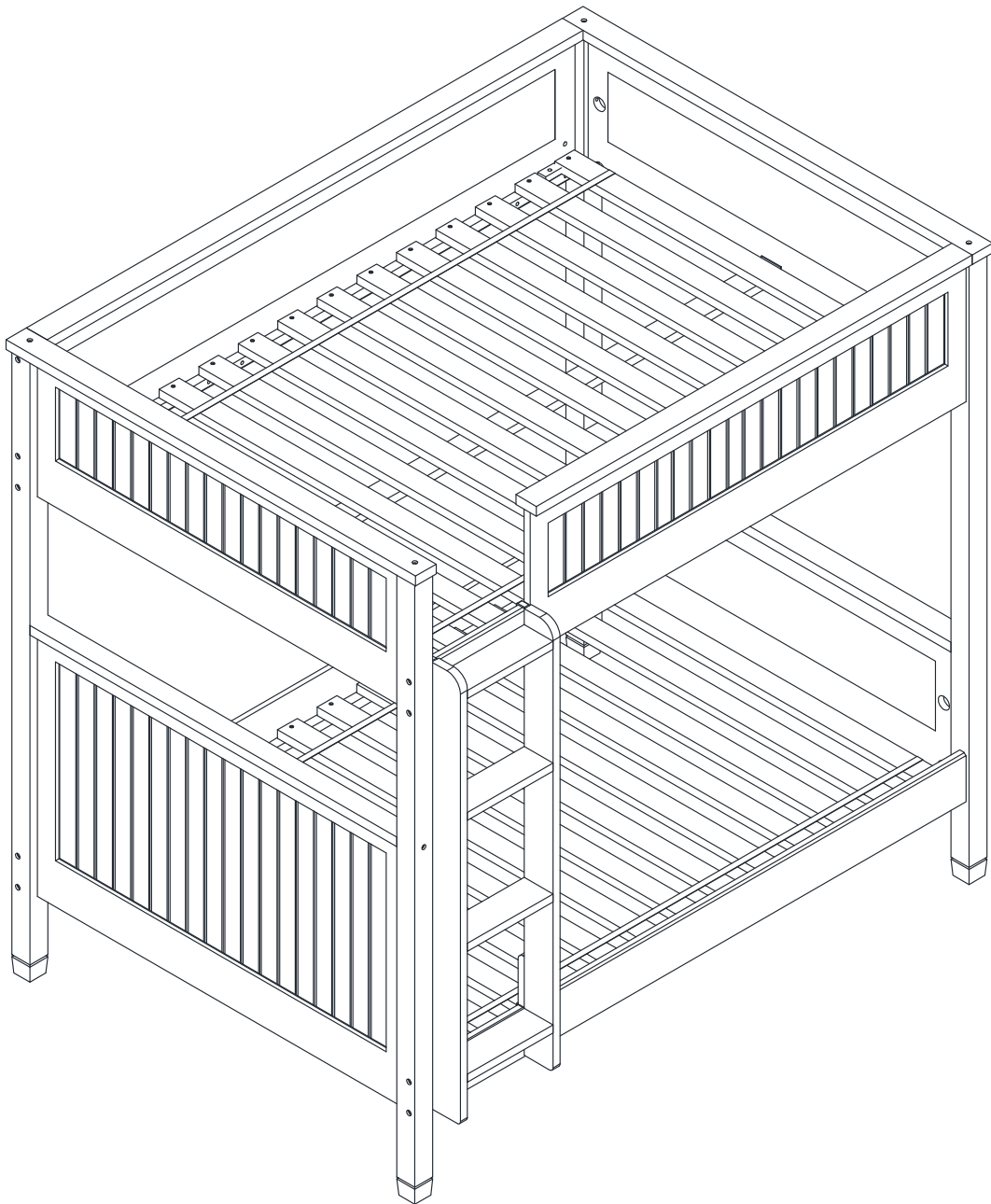


BEADBOARD BUNK BED FULL OVER FULL
ASSEMBLY INSTRUCTIONS





WARNING: Failure to follow these warnings and assembly instructions could result in serious injury or death. To help prevent serious or fatal injuries from entrapment or falls:

- Read all instructions before assembling bunk bed.
- Before each usage or assembly, inspect bunk bed for damaged hardware, loose joint, missing parts or sharp edges. DO NOT use bunk bed if any parts are missing or broken.
- DO NOT use substitute parts. Contact PB Teen for replacement parts and instructional literature if needed.
- Follow the information on the warnings appearing on the upper bunk end structure and on the carton. DO NOT REMOVE WARNING LABEL FROM BED.
- Always use the recommended size mattress or mattress support, or both, to help prevent the likelihood of entrapment or falls.
- Ensure thickness of mattress on upper bunk does not exceed 9 inches and the surface of mattress must be at least 5 inches (127 mm) below the upper edge of guardrails.
- Only use the 9" thickness mattress on the lower bunk.
- Ensure both upper and lower bunk are assembled to the highest position when using the product as a bunk bed.
- Use only mattress which is 74"-75" long and 52.5"-53.5" wide on upper and bottom bunk.
- Do not allow children under 6 years of age to use the upper bunk.
- Periodically check and ensure that the guardrail, ladder, and other components are in their proper position, free from damage, and that all connectors are tight.
- Do not allow horseplay on or under the bed and prohibit jumping on the bed.
- Prohibit more than one person on the upper bunk.
- Always use the ladder for entering and leaving the upper bunk.
- Use of a night light may provide added safety precaution for a child using the upper bunk.
- Always use guardrails on both long sides of the upper bunk. If the bunk bed will be placed next to the wall, the guardrail that runs the full length of the bed should be placed against the wall to prevent entrapment between the bed and wall.
- The use of water or sleep flotation mattresses is prohibited.
- If refinishing, use a non-toxic finish specified for children's products.

STRANGULATION HAZARD - Never attach or hang items to any part of the bunk bed that are not designed for use with the bed; for example, but not limited to, hooks, belts and jump ropes.

- This bunk bed meets the requirements of ASTM F1427-13.

KEEP THESE INSTRUCTIONS FOR FUTURE REFERENCE.

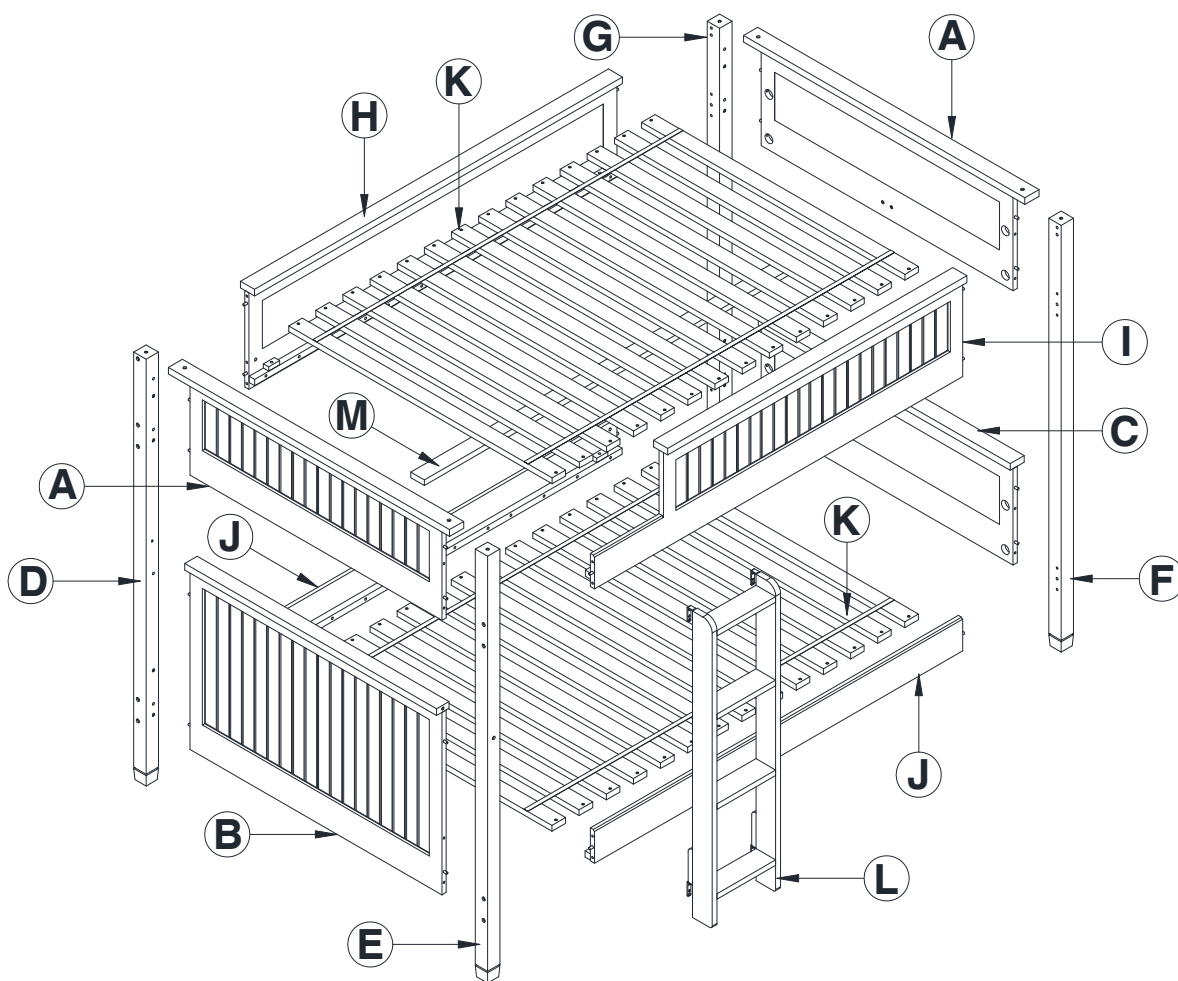
04-000066-6

Important Safety Instructions:

- Please read all instructions carefully before assembling this bunk bed.
- For your safety, assembly by two or more adults is strongly recommended.
- Keep these instructions for future use.
- Use only vendor-supplied hardware to assemble this item. Using unauthorized hardware could jeopardize the structural integrity of the item.

Pre-assembly:

- Remove all parts and hardware from the box. Place them on a carpeted or scratch-free work surface, as this will avoid damaging parts during assembly. The shipping box provides an ideal work surface.
- To avoid accidentally discarding small parts or hardware, do not dispose of any packaging or contents of the shipping carton until assembly is complete.
- Use the parts and hardware lists below to identify and separate each of the pieces included.
- The illustrations provided allow for easier assembly when used in conjunction with the assembly instructions.
- The use of power tools to aid in assembly is not recommended. Power tools can damage the hardware and split the wood.



PARTS INCLUDED:

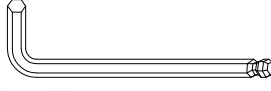
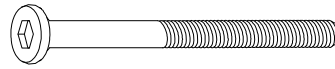
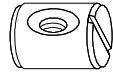
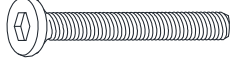
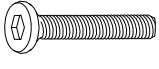
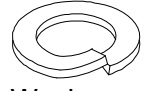


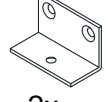
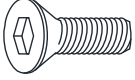
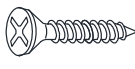

(A) Upper End Panel	1x
(B) FB Low Panel	1x
(C) HB Low Panel	1x
(D) FB Rear Post	1x
(E) FB Front Post	1x
(F) HB Front Post	1x
(G) HB Rear Post	1x

(H) Long Guardrail	1x
(I) Short Guardrail	1x
(J) Side Rail	2x
(K) Slat Roll	2x
(L) Ladder	1x
(M) Support Rail	1x

Tools Required:

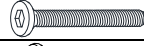
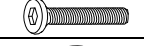



Philips Head Screw Driver  (not included)

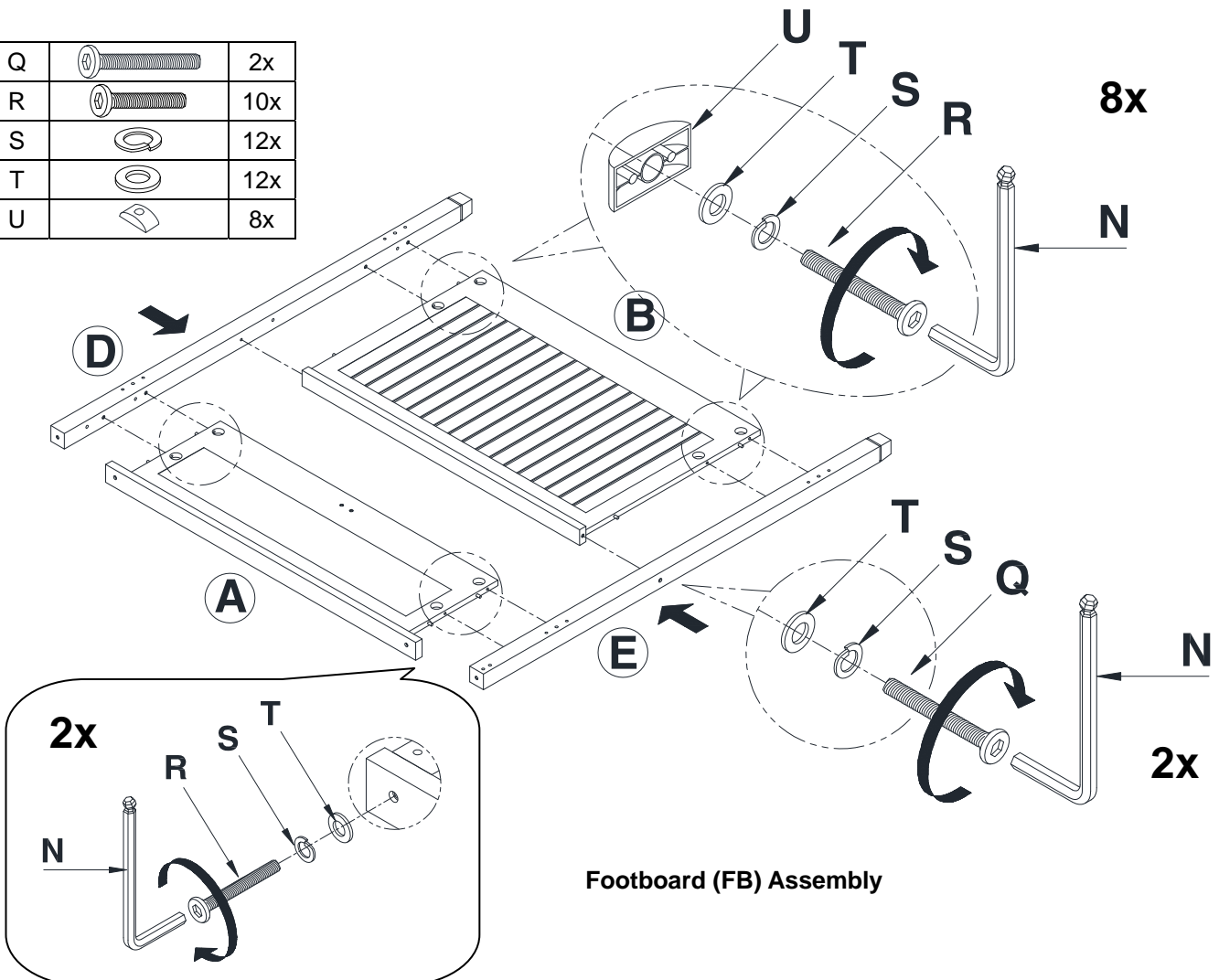
HARDWARE INCLUDED:

 (N) Allen Key – 1x	 (O) Large Bolt 5/16x110mm – 19x	 (P) Barrel Nut – 19x
 (Q) Medium Bolt 1/4x76mm – 2x	 (R) Short Bolt 1/4x45mm – 20x	 (S) Spring Washer – 22x
 (T) Flat Washer – 22x	 (U) Half-Moon Metal Block -16x	 (V) Bracket – 2x
 (W) Machine Screw 1/4x17mm – 6x	 (X) Short Screw 4x19mm – 4x	 (Y) Long Screw 4x30mm – 56x

Assembly Instruction Steps:

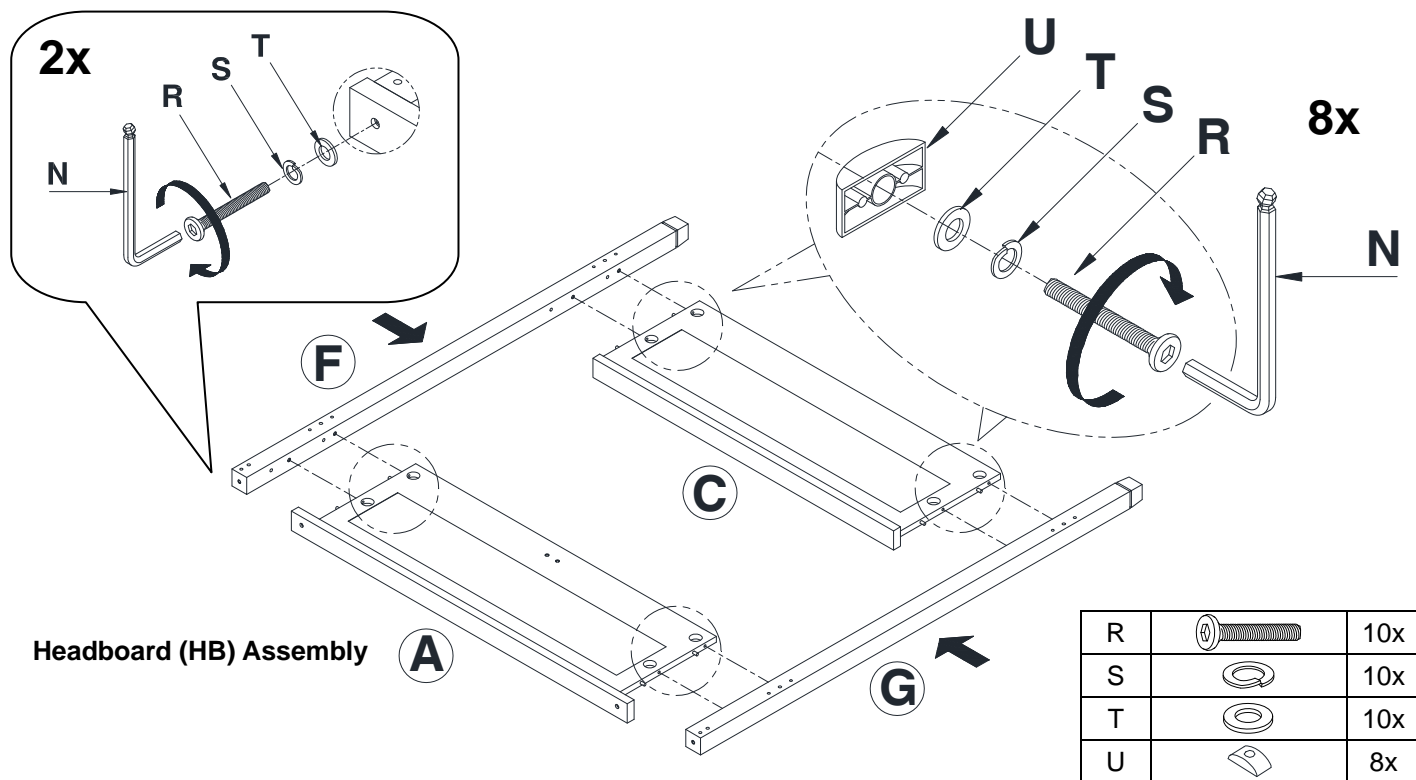
1. Place Upper End Panel (A) and FB Low Panel (B) on a soft, scratch free surface with round cut-outs facing up.
2. Attach FB Rear Post (D) and FB Front Post (E) to Upper End Panel (A) and FB Low Panel (B) as seen below. Place (8x) Half-Moon Metal Block (U) onto the cut-outs and insert (8x) Short Bolt (R) with Spring Washer (S) and Flat Washer (T) to secure by using Allen Key(N).
3. Inset (2x) set of: Short Bolt (R), Spring Washer (S) and Flat Washer (T) from top of Upper End Panel (A) into metal inserts located on top of bed posts.
4. Insert (2x) set of: Medium Bolt (Q), Spring Washer (S) and Flat Washer (T) through center hole of each post into metal inserts on top rail ends of FB Low Panel (B).
5. Check alignments before tighten connecting bolts.

Q		2x
R		10x
S		12x
T		12x
U		8x

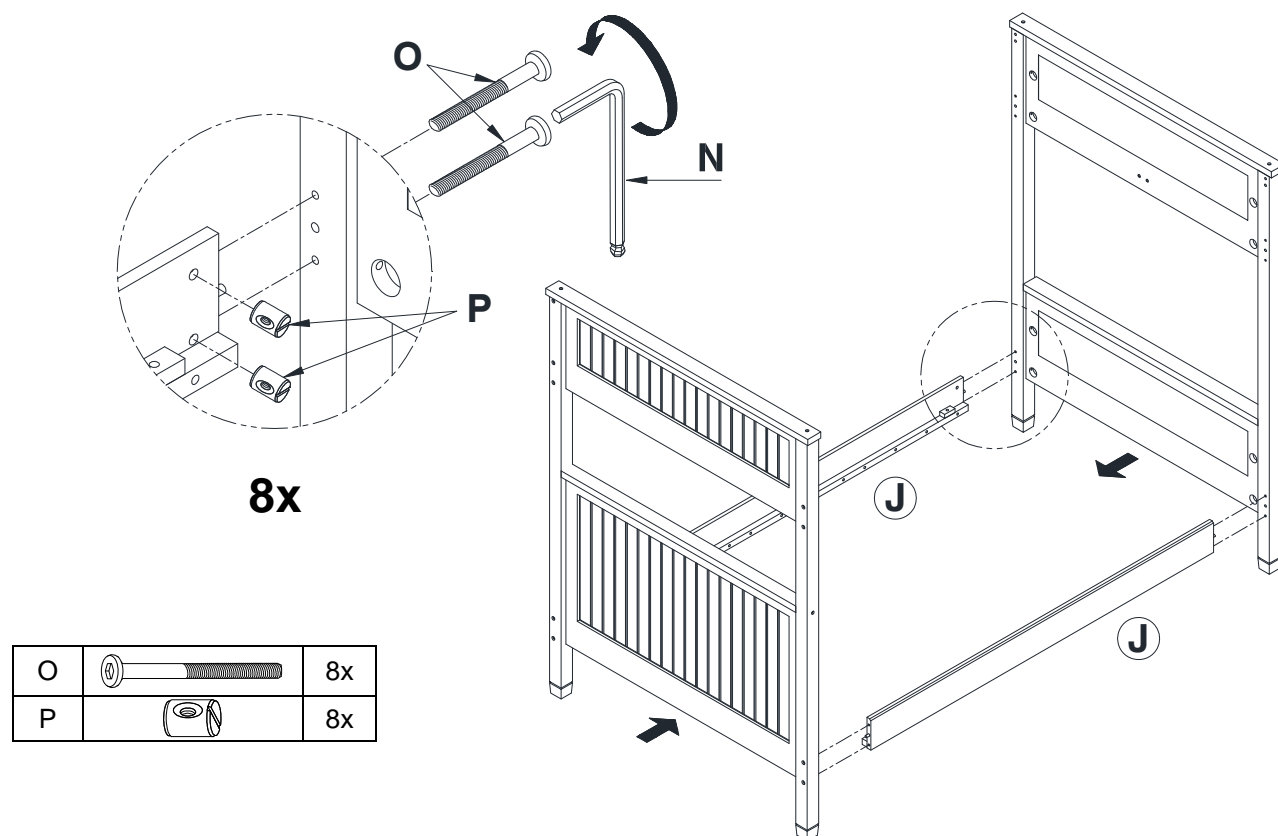


Footboard (FB) Assembly



6. Place Upper End Panel (A) and HB Low Panel (C) on a soft, scratch free surface with round cut-outs facing up.
7. Attach HB Front Post (F) and HB Rear Post (G) to Upper End Panel (A) and HB Low Panel (C) as seen below. Place (8x) Half-Moon Metal Block (U) onto the cut-outs and insert (8x) Short Bolt (R) with Spring Washer (S) and Flat Washer (T) to secure by using Allen Key (N).
8. Insert (2x) set of: Short Bolt (R), Spring Washer (S) and Flat Washer (T) from top of Upper End Panel (A) into metal inserts located on top of bed posts.
9. Check alignments before tighten connecting bolts.

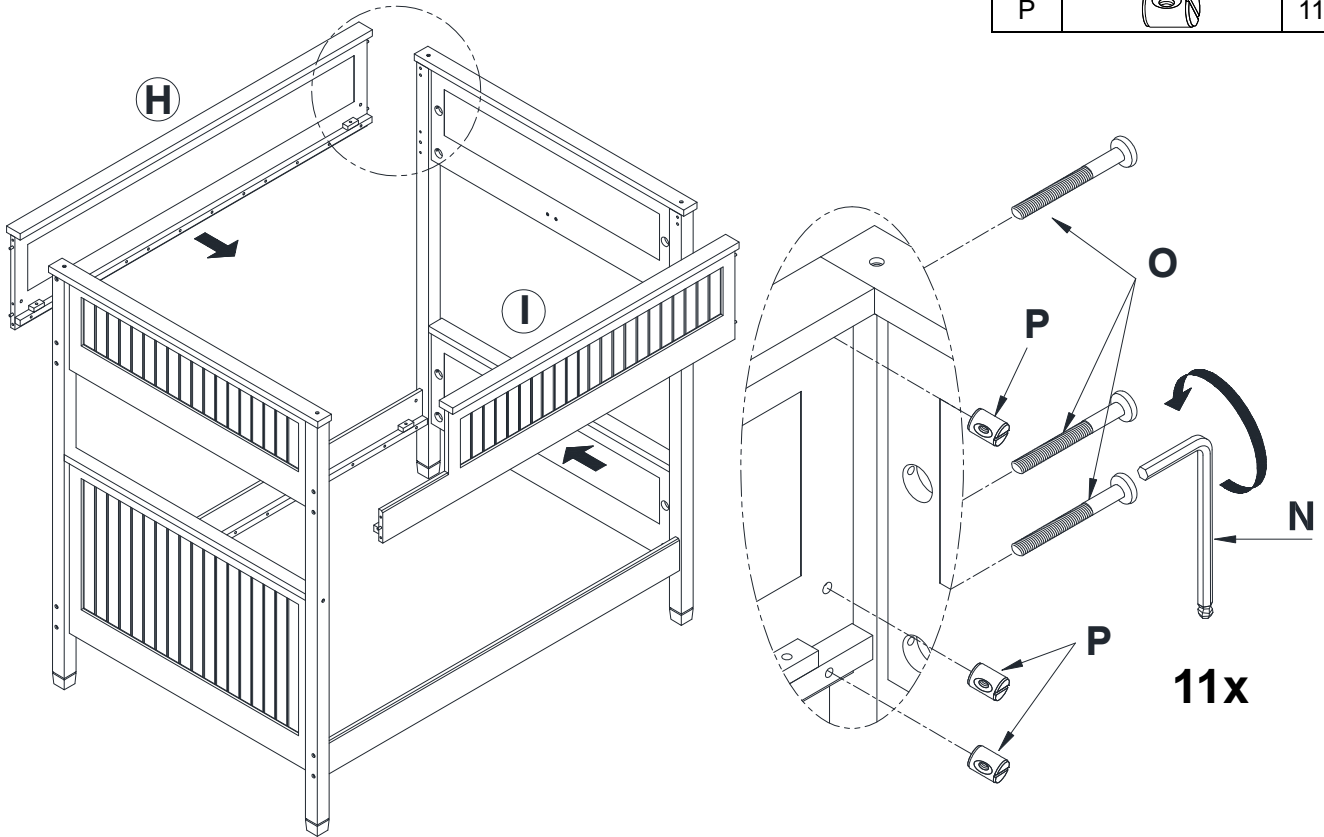


10. Connect the assembled HB and FB to Side Rail (J) with pre-drilled holes and wooden dowels aligned.
11. Insert (8x) sets of Large Bolt (O) and Barrel Nut (P) to secure as seen below. **Do not fully tighten.**

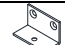



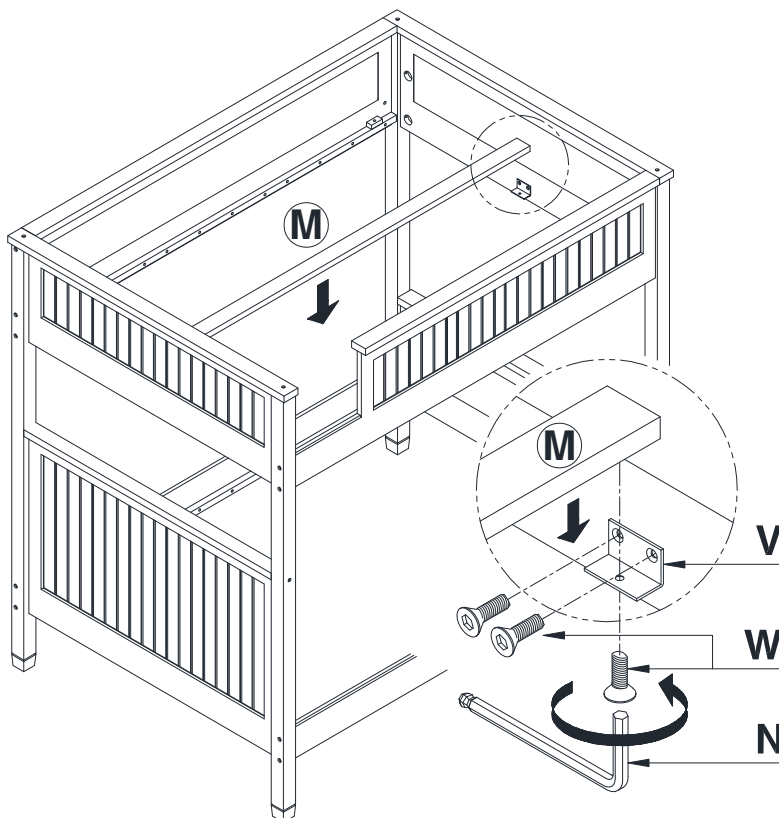
- 12. Attach Long Guardrail (H) to HB/FB. Secure with (6x) sets of Large Bolt (O) and Barrel Nut (P) as seen below. Loosely tighten with Allen Key (N)
- 13. Attach Short Guardrail (I) to HB/FB. Secure with (5x) sets of Large Bolt (O) and Barrel Nut (P).
- 14. Check alignments before tighten all connecting bolts.

O		11x
P		11x

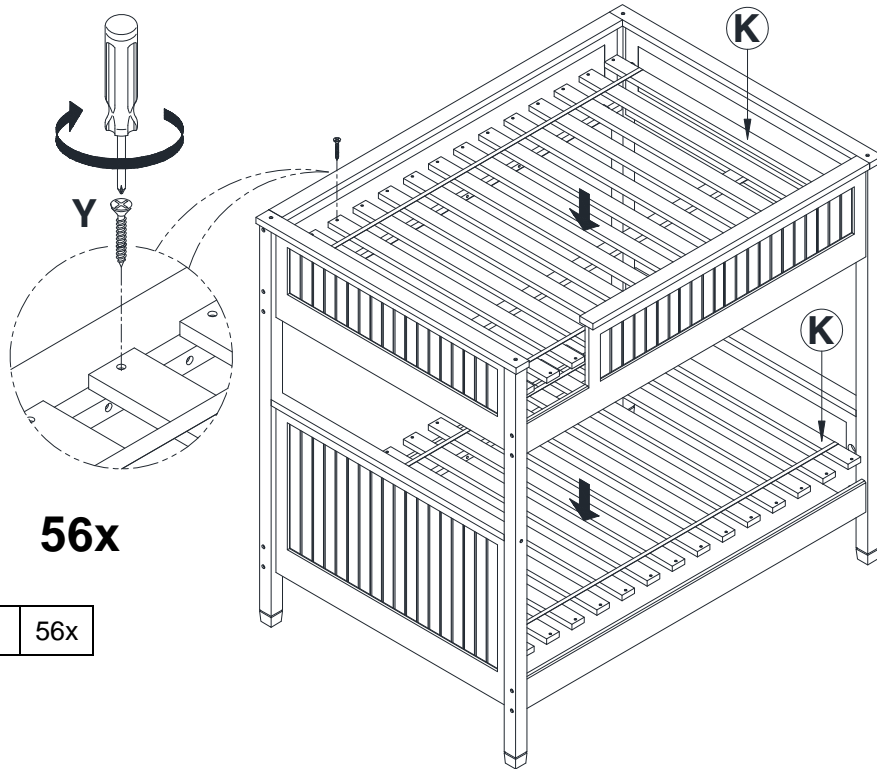


- 15. Align (2x) Bracket (V) to pre-drilled holes on Upper End Panel of HB/FB and insert (4x) Machine Screw (W) to secure using Allen Key (N).
- 16. Place Support Rail (M) onto the brackets and insert (2x) Machine Screws (N) from bottom to secure.

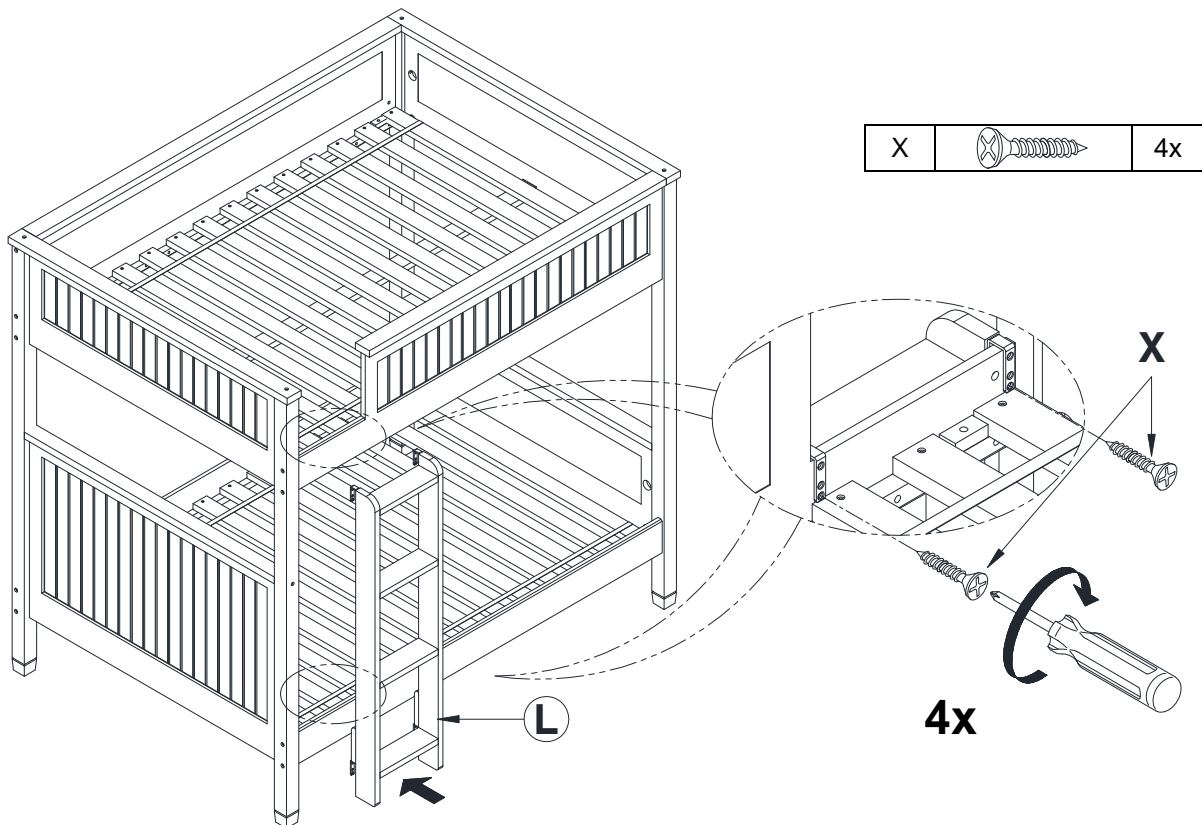
V		2x
W		6x



17. Place (2x) Slat Roll (K) onto the assembled bunk. Insert (56x) Long Wood Screws (Y) to secure.



18. Attach Ladder (L) to opening of the upper bunk. Make sure the ladder sit well on Short Guardrail and Side Rail.
19. Insert (4x) Short Wood Screws (X) to secure the ladder to short guard rail and side rail using Philips Head Screwdriver (not included).



Care Instructions:

- Dust often using a clean, soft, dry, and lint-free cloth.
- Blot spills immediately and wipe with a clean, damp cloth.
- We do not recommend the use of chemical cleansers, abrasives, or furniture polish on our lacquered finish.
- Hardware may loosen over time. Periodically check to make sure all connections are tight. Re-tighten if necessary.