



LADDER LAMP TABLE  
Assembly Instructions

**IMPORTANT SAFETY INSTRUCTIONS:**

- For safety purposes, this lamp is equipped with a polarized plug (one blade is wider than the other). If the plug does not fit securely into your outlet, do not force it – contact a professional electrician.
- Use the plug with an extension cord only if it can be fully inserted into the cord's socket. Never alter the plug in any way.
- These instructions are provided for your safety. It is important that they are read carefully and completely before assembling fixture.
- This fixture has been rated for up to (1) 40-watt maximum TYPE A bulb (not included) or 13-watt maximum CFL (not included). To avoid the risk of fire, do not exceed the recommended wattage.
- For your safety, use only shades with an open top with a Lamp to Shade spacing measurement of at least 4" in diameter. INDORE USE SAVE THESE INSTRUCTIONS

**Warning:**

- To reduce the risk of fire, electrical shock, or personal injury, always turn off and unplug lamp and allow it to cool prior to replacing light bulb.
- Do not touch bulb when fixture is turned on or look directly at lit bulb.
- Keep flammable materials away from lit bulb.

**Pre-assembly:**

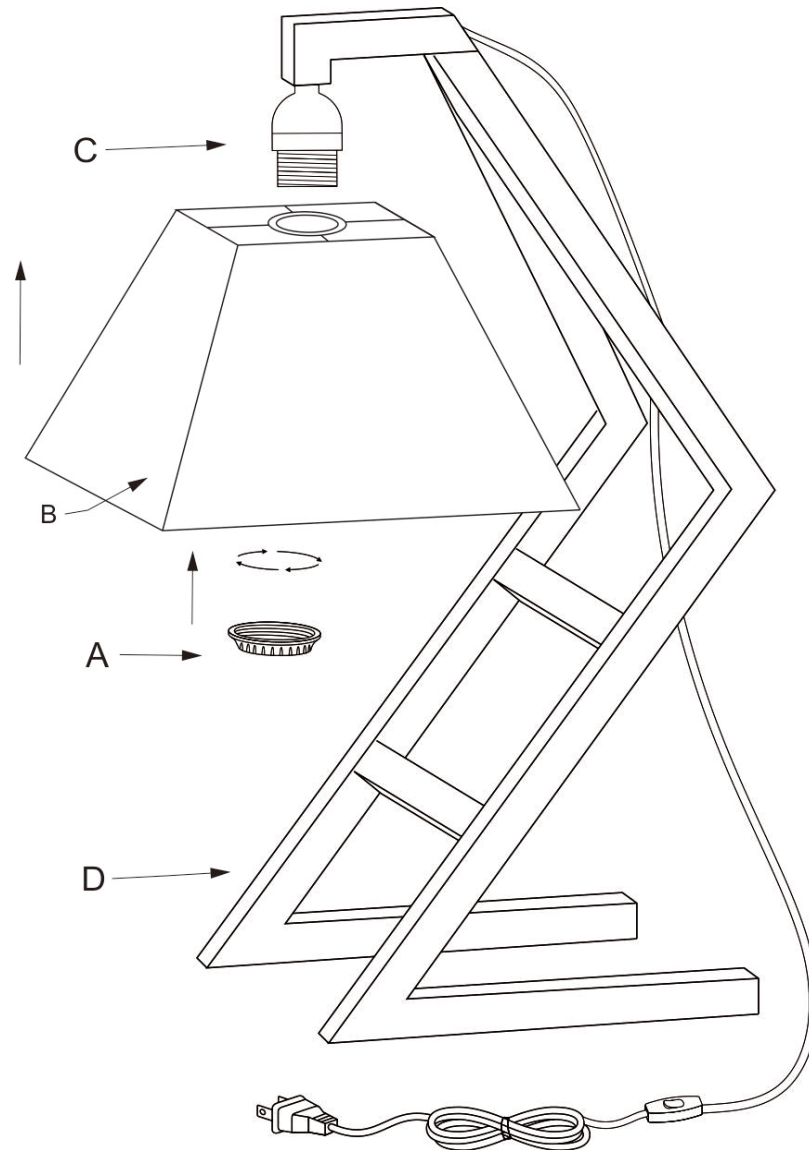
- Remove all parts and hardware from box along with any plastic protective packaging.
- Do not discard any contents until after assembly is complete to avoid accidentally discarding small parts or hardware.

**Parts Included :**

- Socket Washer (A)
- Lamp Shade (B)
- Light Socket (C)
- Lamp base (D)

**To Assemble:**

- Unscrew socket washer (A) from light Socket (C) by unscrewing it counter clockwise.
- Insert Bulb or CFL (not included) into threaded socket.
- Place the Lamp Shade (B) on top of the Light Socket (C).
- Secure the Lamp Shade (B) by tightly screwing the Socket Washer (A) back into place.
- Plug into proper electrical outlet and test fixture.
- Assembly is complete.



**Care Instructions:**

- Wipe with soft dry cloth only.
- Always avoid the use of harsh chemicals or abrasives as they may damage the finish.

Thank you for your purchase  
stores | catalog | [www.pbteens.com](http://www.pbteens.com)

