

## Laser Cut Pinboard Frame

**Tools:** Level, Pencil, Tape Measure, Phillips Screwdriver, Stud-Finder

The hardware included with this item is meant for drywall or stud mounting only. If your walls are made from concrete, brick or plaster, please consult your local hardware store for assistance in selecting the appropriate hardware.

**Hardware:** TWO Anchors and TWO Screws, Paper Template

### Mounting Instructions:

This item includes four keyholes on the back for wall-mounting. The item may be hung on a wall in either of two orientations (portrait or landscape). Only two keyholes are used. Select a desired orientation. A paper template is provided to help transcribe the exact keyhole locations on the wall for mounting.

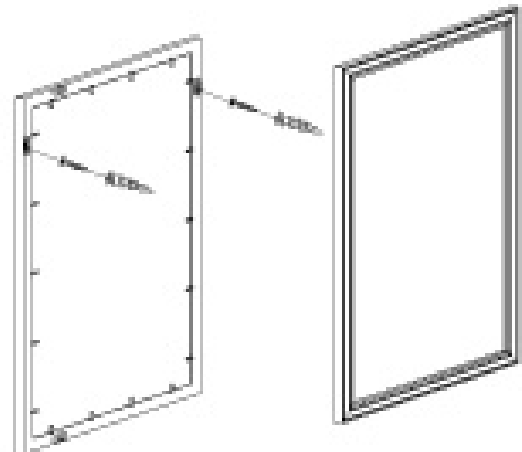
- 1) Hold the provided template against the wall at a desired location. Use a level to make sure that the paper template is level and then use a pencil to mark the wall through the template at the black dots located within the graphic keyholes that correspond to the desired orientation, portrait or landscape. Remove the template. The remaining marks on the wall are the locations for the hanging hardware.

**Note:** If either of the two marks of Step (1) aligns with a wall stud (use a stud-finder to determine this), use a screwdriver to secure a screw at this mark directly into the wall and stud - do not use an anchor at the stud location. Rotate the screw clockwise until the screw head is about 3/8" from the wall. This protruding portion of the screw will engage one of the two keyholes located on the back of the item.

- 2) For marks that do not align with a stud, use a Phillips screwdriver to install an anchor into the wall. To do this, position the tip of the anchor against the wall at one of the marks and then gently push the anchor into the wall as you rotate it clockwise. The anchor is designed to drive itself into the wall as it is rotated. Continue rotating the anchor until the wide end becomes even with the surface of the wall. Repeat this step with the other anchor and mark.

- 3) Use the screwdriver to secure a screw into each installed anchor. Rotate the screw clockwise until the screw head is about 3/8 inches from the wall.

- 4) Preferably with the help of another person, lift the item so that the two selected keyholes align with and engage the protruding screw heads. Gently lower the item so that the screws support its full weight. Make sure that each screw is completely engaged with its keyholes before releasing the item.



### Care Instructions:

To clean: Wipe with a soft, dry cloth.

Do not use any abrasive or strong-chemical household cleaners.

Thank you for your purchase!  
[www.pbteen.com](http://www.pbteen.com)