

Hampton 3ft. Ledge

Mounting Instruction

Components: (A) 3ft. Ledge x 1
(B) Wall Cleat x 1

Hardware Included: (C) Screws x 3
(D) Anchors x 3

Tools Required: Phillips Screwdriver, Level, Pencil, Tape Measure, Stud-Finder

Mounting Instructions:

This item is meant to be mounted to a wall using a French cleat mounting system. This system includes a wall-mounted cleat and a product-mounted cleat. The wall-mounted cleat is mounted to the wall using the provided fasteners and is thereafter used to engage with the product-mounted cleat to safely hold the item against the wall.

1) Position the Wall cleat (B), with its sharp edge facing up and away from the wall, at a desired mounting location on a wall. Use a level to ensure the cleat is level and then use a pencil to mark the wall through each hole of the cleat. Remove the cleat from the wall. The resulting marks on the wall are the insertions for the mounting hardware.

2) The provided anchors cannot penetrate wood. Therefore we have to determine if the marks of Step (1) happen to align with a wall stud. If any does (use a stud finder to determine this), do not use anchors (D) at the marks. In this instance, use a screwdriver to secure the screw (C) through the wall cleat (B) and directly into the wall at this mark.

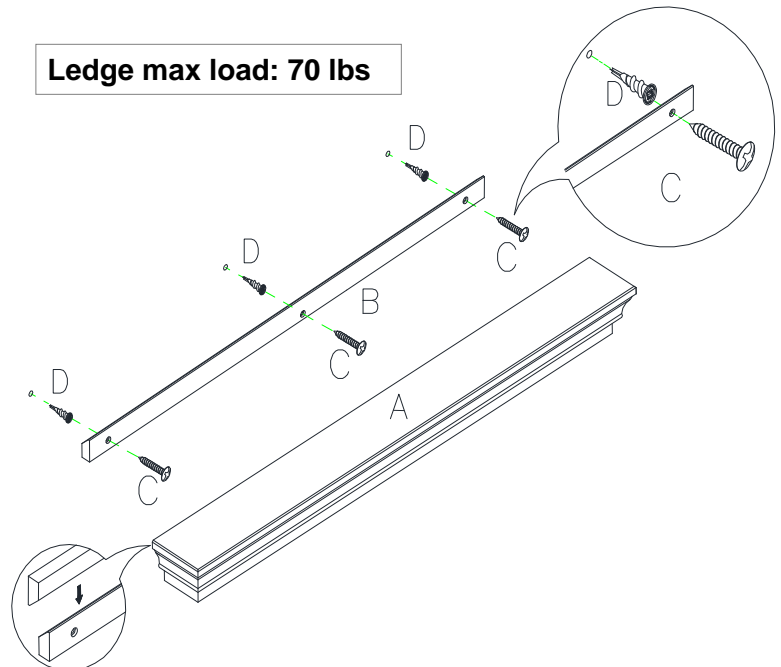
3) For marks that do not align with a stud, install an anchor (D) first. To install the anchor, use a Phillips screwdriver to engage an anchor and position the anchor tip against the wall at one of the marks. Rotate the anchor clockwise as you firmly push it into the wall. The anchor is designed to drive itself into the wall as it is rotated. Continue rotating until the wide flange of the anchor becomes even with the wall surface. Repeat this step with the other anchors and marks if necessary.

4) Return the wall cleat (B) against the wall so that the holes align with either installed anchors or wall-stud marks. Make sure that the sharp edge of the cleat faces up and away from the wall. Use a screwdriver to secure a screw (C) through each hole of the cleat and into either the wall or an awaiting installed anchor. Rotate each screw clockwise until tight so that the wall cleat becomes firmly attached to the wall.

5) Lift the ledge (A) against the wall so that the product-mounted cleat (at the ledge back) aligns and engages with the wall cleat (B). Gently press down the ledge to ensure it is safely hung on the wall.

WARNING! DO NOT MOUNT THIS ITEM ABOVE CRIBS, BEDS, or CHANGING TABLES.

The hardware included with this item is meant for drywall or stud mounting only. If your walls are made from concrete, brick or plaster, please consult your local hardware store for assistance in selecting the appropriate hardware.



Care Instructions:

To clean: Wipe with a soft, dry cloth.

Do not use any abrasive or strong chemical household cleaners.