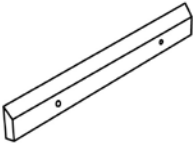






Style tile

Note: This item is meant for drywall/wood stud mounting only. If your walls are made from concrete, brick or plaster, please consult your local hardware store for assistance. For safety and ease of mounting, installation recommends using two people.

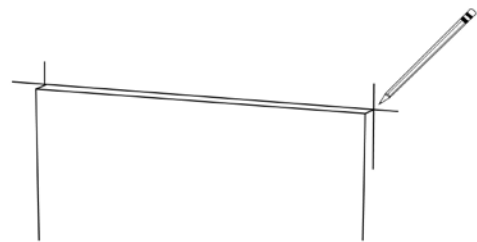
Parts Included:

A	B	C
		
Wall-mount Bracket	Anchors	Screws
1PC	2PCS	2PCS

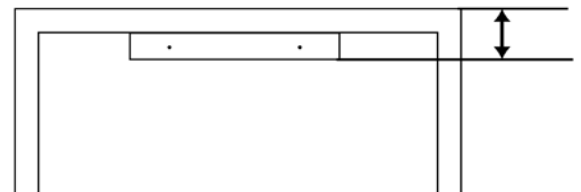
Tools required (not included): Screwdriver, Level, Tape measure, Pencil, Stud-Finder

This item is meant to be mounted to a wall using a French cleat mounting system which includes a wall-mounted cleat and a product-mounted cleat. The wall-mounted cleat is mounted to the wall using the provided fasteners and is thereafter used to engage with and support the product-mounted cleat to safely hold the item against the wall. The wall-mounted cleat includes a sharp edge that must be facing up and away from the wall for this French cleat mounting system to work properly. Also, the wall-mounted cleat includes an optional locking groove which is designed to receive the head of a screw secured to the product, as explained below:

A) Hold this item against a wall at a desired location. Use a level to make sure that the item is level and then use a pencil to mark the wall along the entire top edge. Carefully set the item aside.

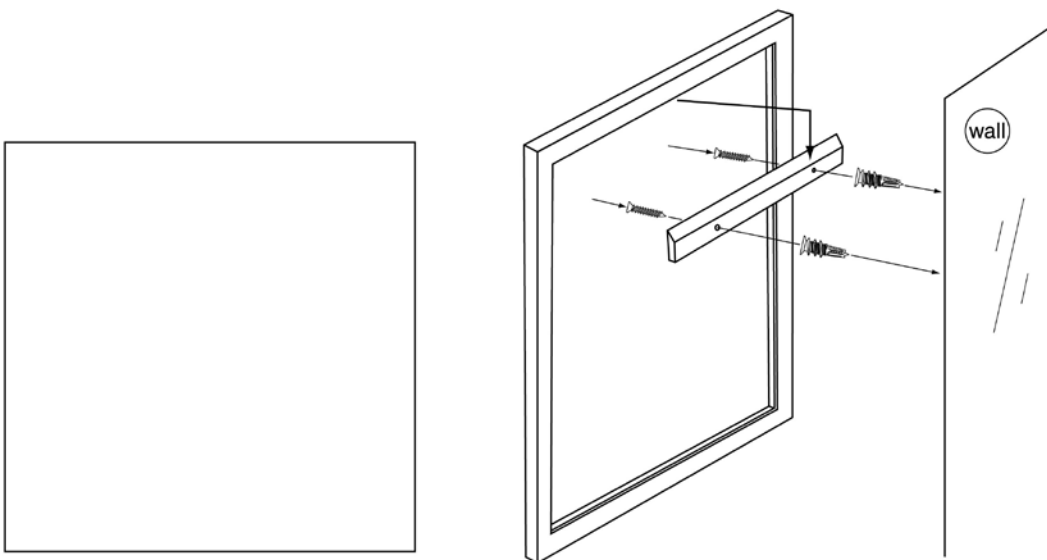


B) On the backside of the item, position the wall-mounted cleat so that it is engaged with the product-mounted cleat located about 2" inches down from the top of the item. Note, the cleats may already be secured to each other. Use a tape-measure to measure the distance between the bottom of the wall-mounted cleat and the top of the item, as shown. This is "Measurement (A)".



C) Use a tape measure and a pencil to make a "lower line" below the line of Step (A) that is spaced a distance equal to "Measurement (A)". Use a level to confirm that the lower line is level and then align the lower edge of the wall-mounted cleat with the lower line. Make sure that the cleat is oriented with the sharp edge facing up and away from the wall and centered along the lower line.

- D)** Hold the cleat at this position and then use a long sharp tool to mark the wall through both holes located along the cleat. Set the cleat aside. The marks on the wall are the locations for the mounting hardware.
- E)** The anchors that come with this item cannot penetrate wood. Therefore we have to determine if the two marks of Step (D) happen to align with a wood stud. If either do (use a stud-finder to determine this), take note so that in the next step you will only use a screw at that location, not an anchor.
- F)** For each of the two marks that do not align with a stud we have to install an anchor into the wall. To do this, position the tip of a provided anchor against the wall at one of the marks and then firmly push the anchor into the wall as you rotate it clockwise. The anchor is designed to drive itself into the wall as it is rotated. Continue rotating the anchor until the wide end becomes even with the surface of the wall. Repeat this step with the other anchors and non-stud aligning marks.
- G)** Hold the cleat against the wall so that the two holes align with the installed anchors and wall marks. Make sure that the sharp edge of the cleat faces up and away from the wall. Use a screwdriver to secure a screw through each hole of the cleat and either directly into the wall or into an installed anchor. Rotate each screw clockwise until tight so that the wall-mounted cleat is firmly secured to the wall.
- H)** Lift the product over the cleat. Gently lower the product until the cleat on product firmly engages the wall-mounted cleat. Before releasing your grip on the product, gently pull the top part of the product to confirm that the cleats are engaged.



CARE INSTRUCTIONS:

- Dust often using a soft, dry cloth
- Do not use glass cleaner, abrasives, wax or household cleaners as they may damage the finish on the product.

Thank you for your purchase.

www.pbteen.com