



Organize it System – Chalkboard / Whiteboard

Parts Included: Chalkboard / Whiteboard – 1 pc

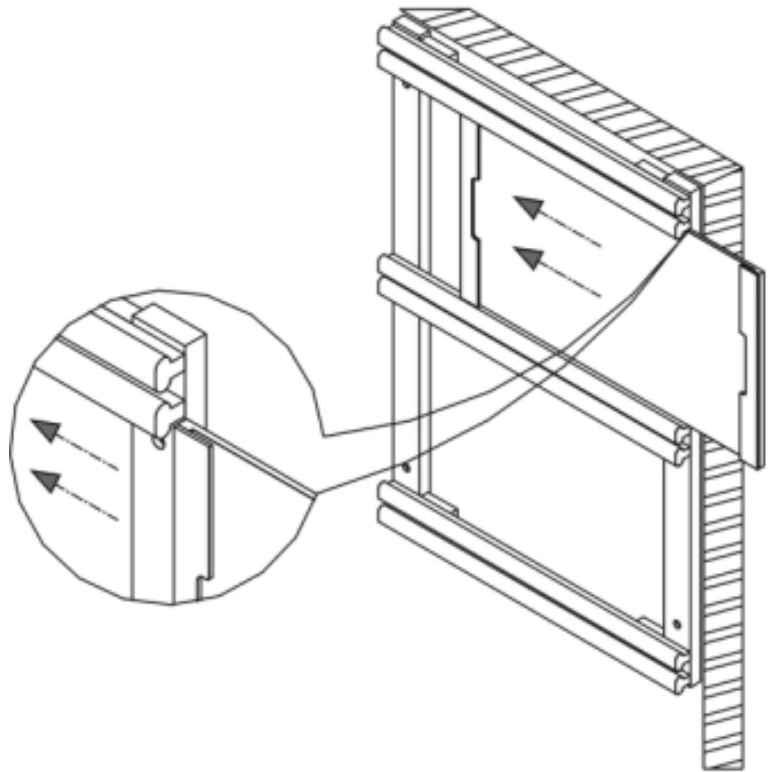
Additional Parts Required (Purchase separately): This Chalkboard / Whiteboard is a component to the “Organize It System” and requires that a single or double-width wall frame of the “Organize It System” be assembled and properly mounted to a wall, prior to use.

In Use:

With a Single or Double-Width Wall Frame properly mounted to a wall, simply slide this Board from the either side of the frame between the upper and middle rails, as illustrated below, or between the middle and lower rails of the frame assembly. Slide out to remove.

CARE INSTRUCTIONS:

- Wipe with a soft, dry cloth.
- Do not use abrasive or solvent-based cleaners.



Thank you for your purchase.
Stores | catalog | www.pbteen.com
1.800.290.8181