

Hampton Basic Twin/Full Bed

PRE-ASSEMBLY:

1. Please read all instructions carefully before beginning assembly.
2. For your safety, assembly by two adults is recommended.
3. Save all packing materials until assembly is complete to avoid accidentally discarding smaller part/ hardware.

PARTS ENCLOSED:

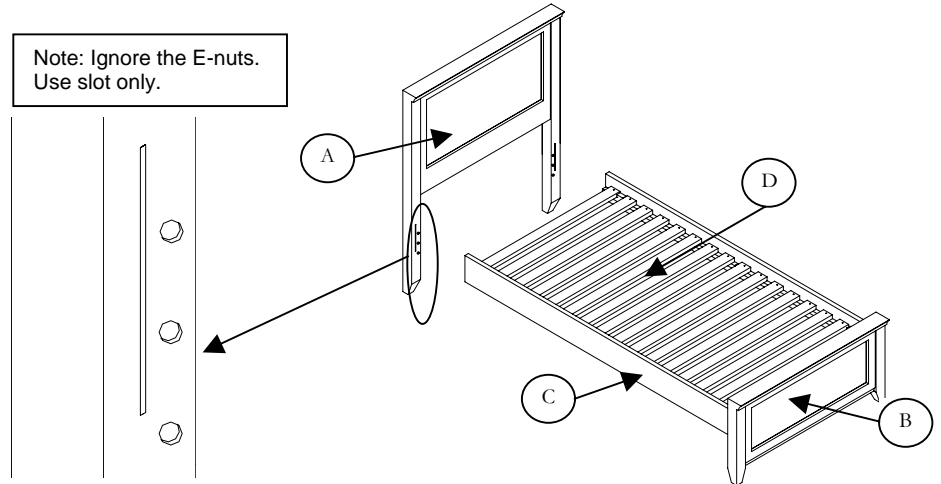
- A - Headboard – 1 pc
- B – Footboard – 1 pc
- C – Siderail – 2 pcs
- D – Slat Roll of 15 connected slats – 1 pc

HARDWARE ENCLOSED:

- E - Rattan Screw M4 x 30 mm – 30 pcs

TOOLS REQUIRED:

- F - Allen Key (included)
- H - Phillips Head Screwdriver (not included)



ASSEMBLY:

1. The slots on the Headboard (A) and Footboard (B) are designed with two adjustable levels. Hold the Side Rail (C) up to slots on the legs of the Headboard (A) and, choosing a desired height, insert the hooks of the Side Rail (C) into the slots on the Headboard (A). Push down firmly on the top of Side Rails (C) until they seat themselves over the pins inside the leg slots, as shown. See Figure 1.
2. Repeat the same procedure for the other Side Rail (C). Repeat the same procedure for inserting the Side Rails (C) into the Footboard (B).
3. Lay the Slat Roll (D) between the Side Rails (C) and loosely attach the Slat Roll (D) to the Side Rails (C) by inserting the Rattan Screws (E) through the pre-drilled holes on the Slat Roll and into the pre-drilled holes on both of the Side Rails (C).
4. Once all the screws are in place, fully tighten all the screws. Make sure all screws are secure and the bed structure is rigid. We recommend all screws be checked from time to time for safety.

Figure 1

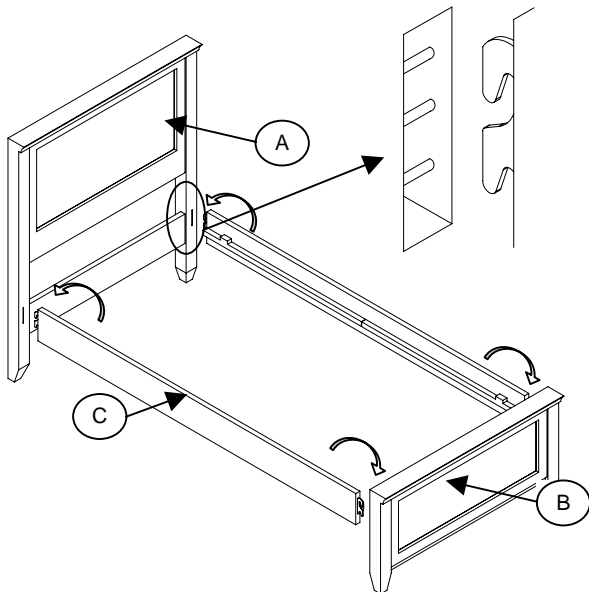
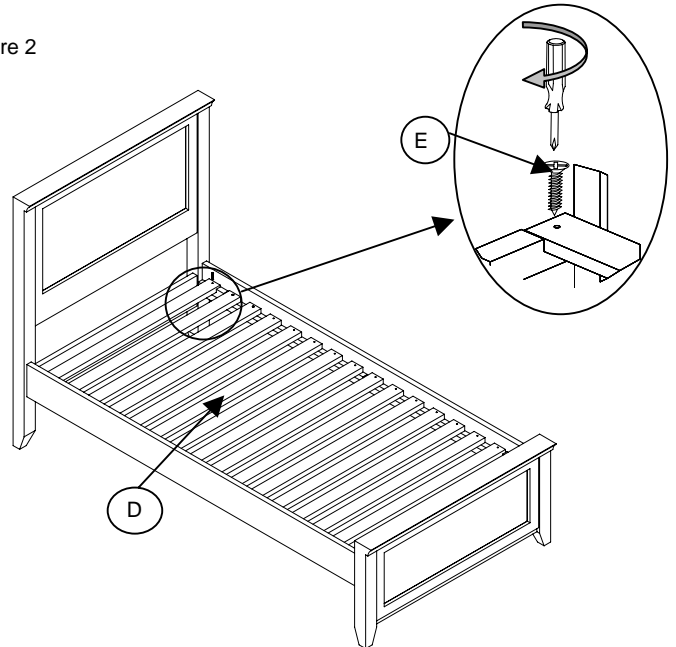


Figure 2



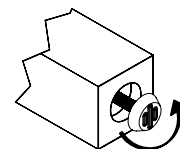
Due to uneven floor the furniture may not sit level causing it to wobble. If the piece wobbles, determine which corner does not touch the ground correctly. With two people follow these steps:

- Carefully elevate the item slightly to provide access to the levelers attached to the bottom.
- Turn the levelers in a counter-clockwise direction.
- Gently set down the piece and check stability.

Repeat steps until the furniture sits firmly on the ground.

Care Instruction:

- Dust with a clean, soft cloth.
- Avoid the use of chemicals and harsh cleaning agents.



Thank you for your purchase

www.pbteen.com