



SCOOP CHAIR

Important Safety Instructions:

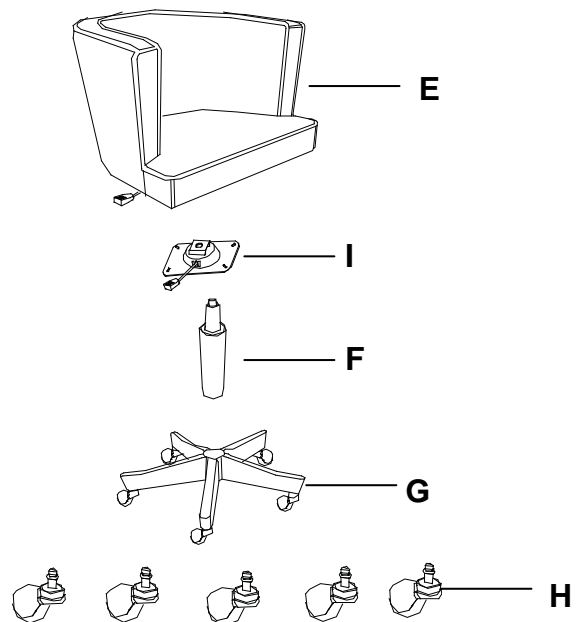
- Please read all instructions carefully before assembling.
- For your safety, assembly by two or more adults is strongly recommended.
- Keep instructions for future use.
- Use only vendor supplied hardware to assemble. Using unauthorized hardware could jeopardize the structural integrity of the item.

Pre-assembly:

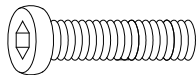


- Remove all parts and hardware from the box and lay out on a clear carpeted or scratch-free work surface, as this will avoid damaging parts during assembly. The shipping box provides an ideal work surface.
- Do not dispose of any packaging or contents of the shipping carton until assembly is completed to avoid accidentally discarding small parts or hardware.
- Use the parts and hardware lists below to identify and separate each of the pieces included.
- The illustrations provided allow for easier assembly when used in conjunction with the assembly instructions.
- The use of power tools to aid in assembly is not recommended. Power tools can damage hardware and split wood.

Parts Included:

- (E) Back 1x
- (F) Post 1x
- (G) Chair Base 1x
- (H) Caster 5x
- (I) Plate 1x



Hardware Included:

<p>(A) Bolt</p>  <p>Dia. 1/4"x7/8"</p> <p>4x</p>	<p>(B) Spring Washer</p>  <p>4x</p>	<p>(C) Flat Washer</p>  <p>4x</p>
---	--	--

Tools Required (included):

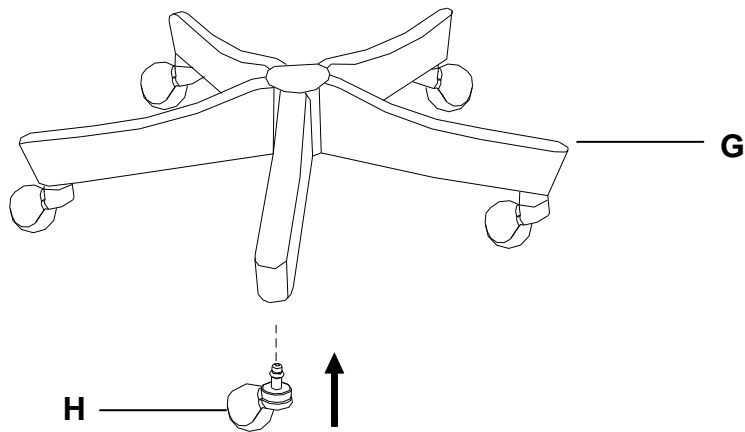


(D) Allen Key

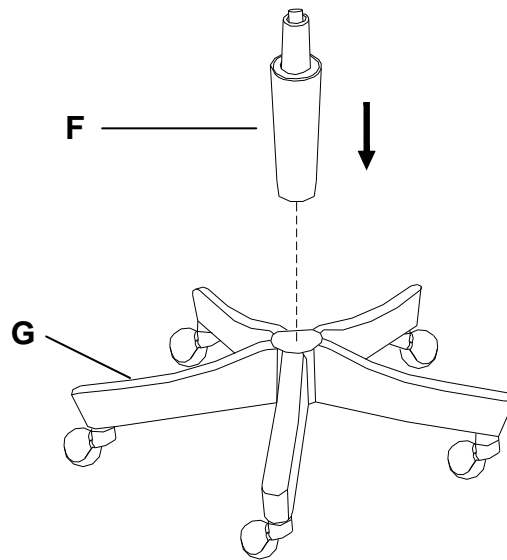
Assembly Instruction Steps:

1. Insert Ball Casters (H) to Chair Base (G) by pressing firmly until ball casters locked.

Note: The use of a rubber mallet may be required to secure ball casters.

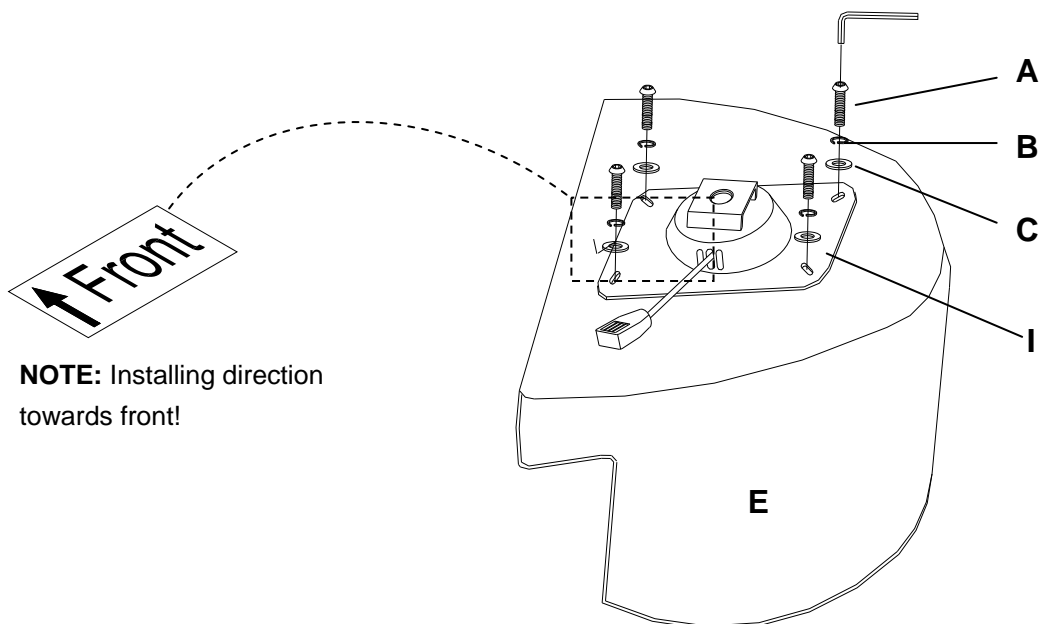


2. Insert Gas Lift Post (F) into Chair Base (G) by pressing firmly.



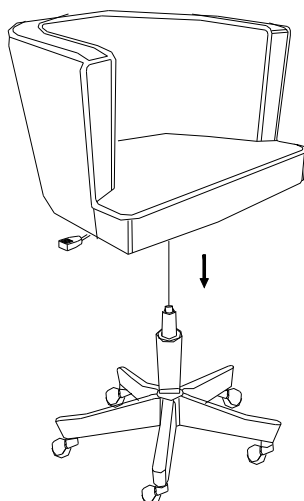
3. Attach Plate (I) to Back (E), insert Bolts (A) thru Spring Washer (B) and Flat Washer (C) as shown, and tighten with Allen Key (D).

NOTE: There is a label on the Seat Plate to show the installing direction.



NOTE: Installing direction towards front!

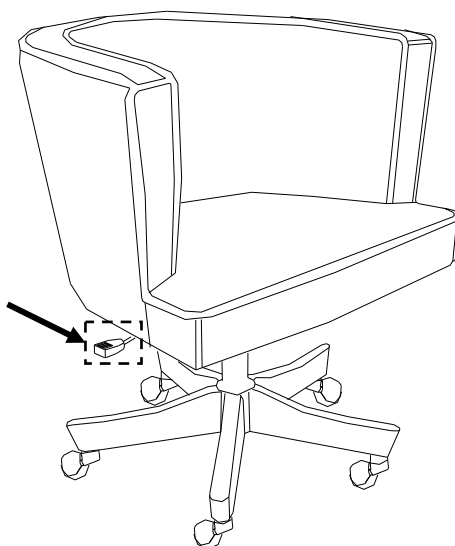
4. Insert assembled seat onto top of Post (F) by pressing firmly.
Assembly is complete!



Height ADJUSTMENT:

While sitting in the chair, pull the lever up to lower the seat.

To raise the seat, take your weight off the chair and then pull the lever up.



Care Instructions:

- Avoid placing furniture in direct sunlight which will cause fading of the fabric.
- Clean your upholstery/fabric frequently to prevent dust and other debris becoming embedded into the fabric. To perform regular cleaning you can use your vacuum with a soft brush attachment.
- Clean up spills as soon as they happen to avoid damage. Blot the spill with a clean absorbent cloth starting from the center and working out to the edges. Do not rub, as this will only spread the stain. If you are having difficulty removing stains on the fabric, it is recommended that you have it professionally dry cleaned.
- We do not recommend the use of chemical cleansers, abrasives or furniture polish on our product.
- Hardware may loosen over time. Periodically check to make sure all connections are tight. Re-tighten if necessary.

Thank you for your purchase
Stores | catalog