



Scallop Wire Nail Ledge

Mounting Instruction

Hardware Included: (2) Screws
(2) Anchors

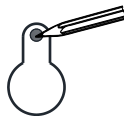
Tools Required: Phillips Screwdriver, Level, Pencil, Tape Measure, Stud Finder.

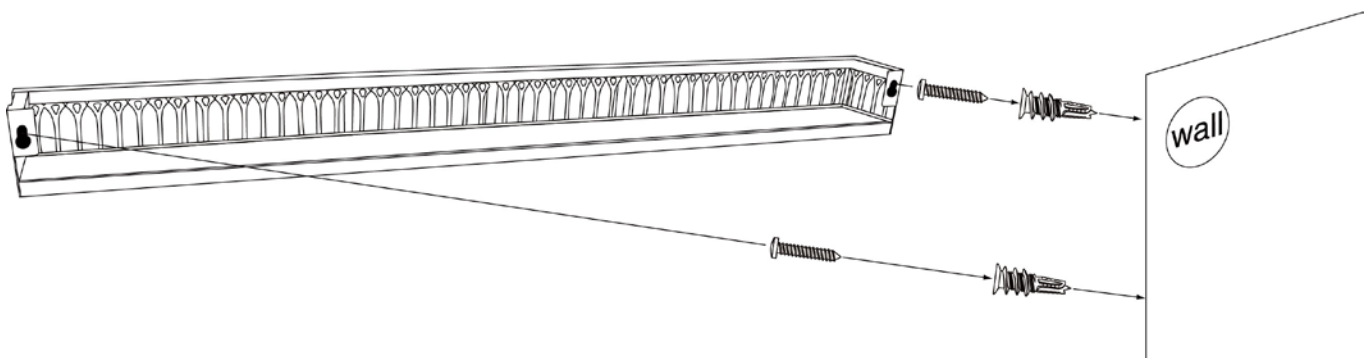
Max Load: 40 lbs.

The hardware included with this item is meant for drywall or stud mounting only. If your wall is made from another material such as concrete or plaster, please consult your local hardware store for assistance in selecting the correct hardware.

Mounting Instructions:

This item includes two keyhole brackets on the rear side of the item for wall mounting, see diagram below.

1. With the help of another person, hold the item upright against the wall at a desired mounting. Use a level to ensure that the item is being held level and then use a short pencil to mark the wall through each of the two keyholes (mark at the upper position of key notch as shown to the right). Set the item aside. The resulting marks on the wall are the insertion points for the mounting hardware. 
2. The provided anchors cannot penetrate wood studs. Therefore we have to find out if either mark of Step (1) happens to align with a wall stud (use a stud finder to determine this). If either does, do not use the anchor at that mark – use a provided screw only. In this instance, use a screwdriver to secure a screw directly into the wall and stud at that mark. Rotate clockwise until the screw head is about 3/8 inch from the wall.
3. For marks that do not align with a wall stud, use both the anchor and the screw. To install the anchor, use a Phillips screwdriver to engage an anchor and then position the anchor tip against the wall at one of the marks. Rotate the anchor clockwise as you firmly push it into the wall. The anchor will drive itself into the wall as a large screw. Continue rotating the anchor until its wide end becomes even with the wall surface. Do not over-tighten.
4. Use the screwdriver to secure a provided screw into each installed anchor. Rotate the screw clockwise until the screw head is about 3/8" from the wall.
5. Lift the item against the wall and engage the two keyholes with the protruding screw heads. Gently lower the item so it rests on the screws.



Care Instructions:

To clean: wipe with a soft, dry cloth. Do not use abrasive or strong chemical household cleaners.

Thank you for your purchase!
Stores | catalog | www.pbteen.com