

TUFTED TASK CHAIR

Important Safety Instructions:

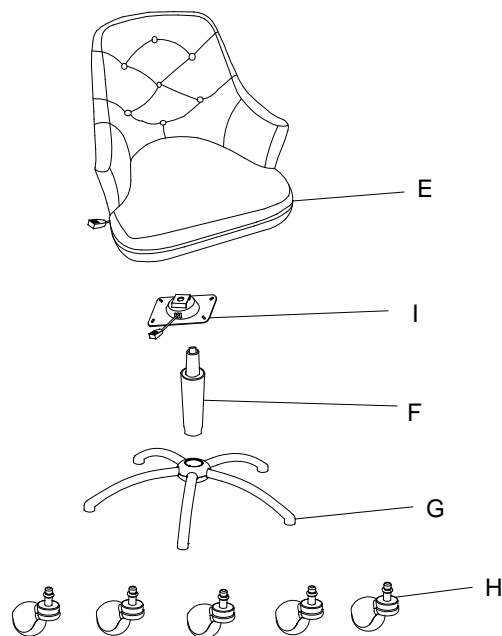
- Please read all instructions carefully before assembling.
- For your safety, assembly by two or more adults is strongly recommended.
- Keep instructions for future use.
- Use only vendor supplied hardware to assemble. Using unauthorized hardware could jeopardize the structural integrity of the item.

Pre-assembly:

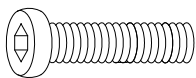


- Remove all parts and hardware from the box and lay out on a clear carpeted or scratch-free work surface, as this will avoid damaging parts during assembly. The shipping box provides an ideal work surface.
- Do not dispose of any packaging or contents of the shipping carton until assembly is completed to avoid accidentally discarding small parts or hardware.
- Use the parts and hardware lists below to identify and separate each of the pieces included.
- The illustrations provided allow for easier assembly when used in conjunction with the assembly instructions.
- The use of power tools to aid in assembly is not recommended. Power tools can damage hardware and split wood.

Parts Included:

- (E) Back 1x
- (F) Post 1x
- (G) Chair Base 1x
- (H) Caster 5x
- (I) Plate 1x



Hardware Included:

<p>(A) Bolt</p>  <p>Dia. 1/4"x7/8"</p> <p>4x</p>	<p>(B) Spring Washer</p>  <p>4x</p>	<p>(C) Flat Washer</p>  <p>4x</p>
---	--	---

Tools Required:

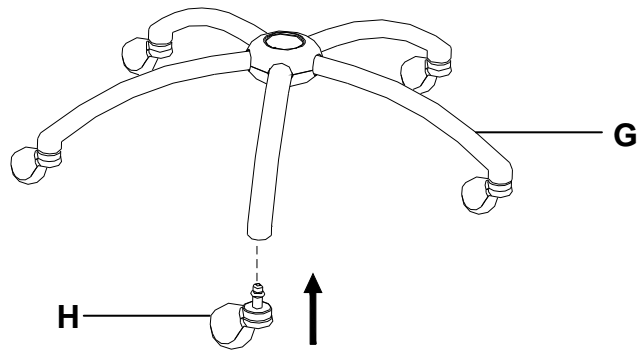


(D) Allen Key

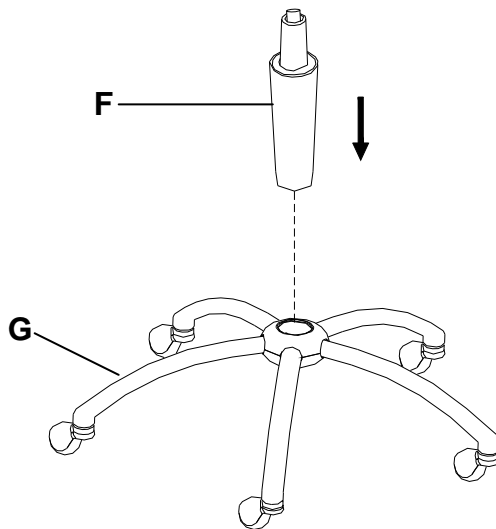
Assembly Instruction Steps:

1. Insert Ball Casters (H) to Chair Base (G) by pressing firmly until ball casters locked.

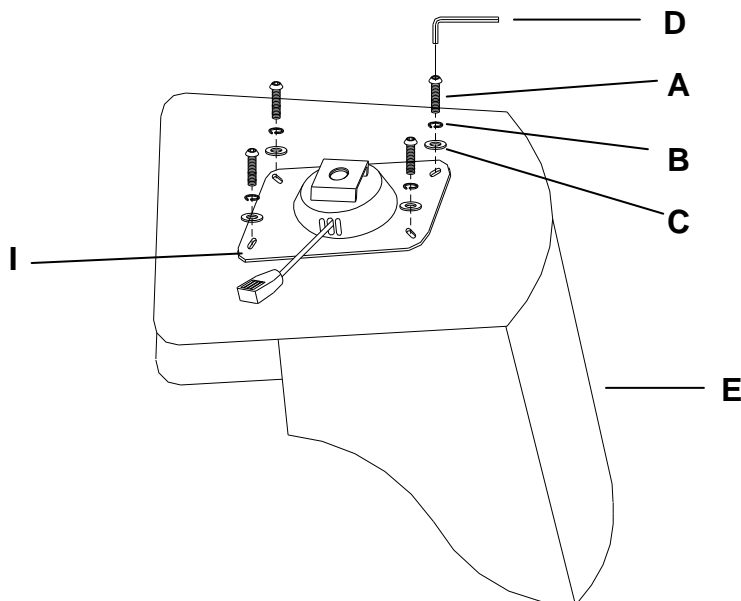
Note: The use of a rubber mallet may be required to secure ball casters.



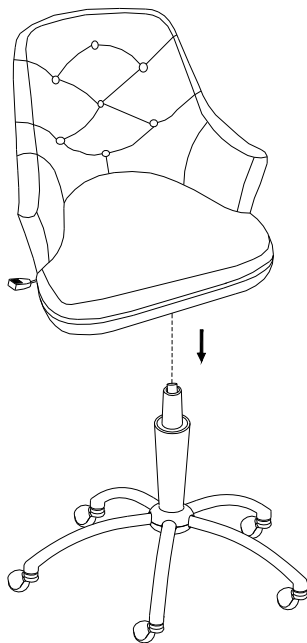
2. Insert Gas Lift Post (F) into Chair Base (G) by pressing firmly.



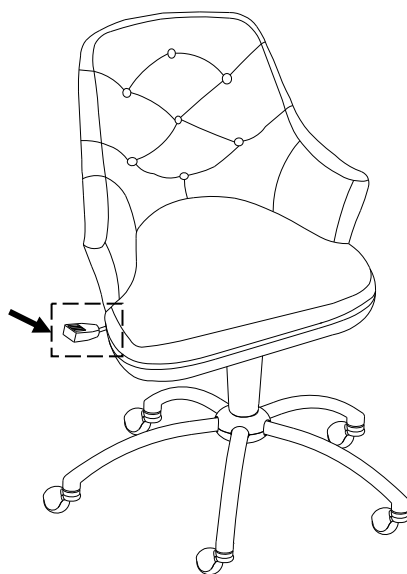
3. Attach Plate (I) to Seat (E), insert Bolts (E) thru Spring Washer (B) and Flat Washer (C) as shown, and tighten with Allen Key (D).



4. Insert assembled seat onto top of Post (F) by pressing firmly.
Assembly is complete!



Height ADJUSTMENT: While sitting in the chair, pull the lever up to lower the seat. To raise the seat, take your weight off the chair and then pull the lever up.



Care Instructions:

- Dust often using a clean, soft, dry and lint-free cloth.
- Blot spills immediately and wipe with a clean, damp, cloth.
- We do not recommend the use of chemical cleansers, abrasives or furniture polish on our lacquered finish.
- Hardware may loosen over time. Periodically check to make sure all connections are tight.
Re-tighten if necessary

Thank you for your purchase
Stores | catalog