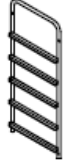



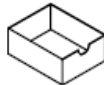








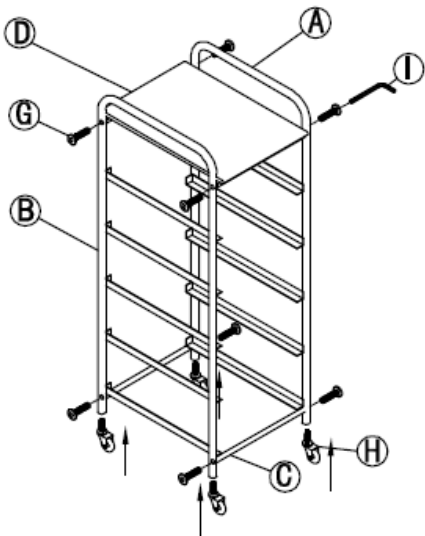
Skinny Beauty Rolling Cart

Pre-Assembly

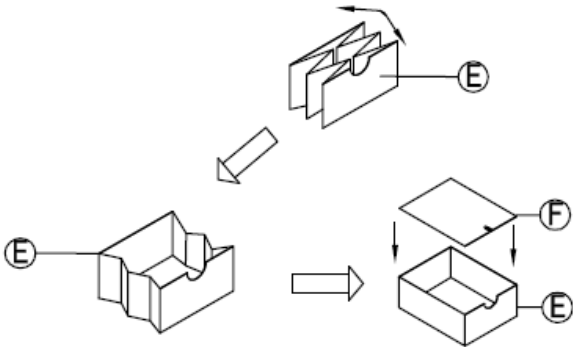
Please read all instructions before beginning assembly. Two-person assembly is recommended. Save all packaging materials until assembly is complete to avoid accidentally discarding smaller parts or hardware.

 <p>A x1 Size: 38.5 x 88.5 cm</p>	 <p>B x1 Size: 38.5 x 88.5 cm</p>	 <p>C x2 Size: Ø1.3 x 27.2 cm</p>
 <p>D x1 Size: 39 x 20.2 cm</p>	 <p>E x5 Size: 19.5 x 37 x 14 cm</p>	 <p>F x5 Size: 18.9 x 36.2 cm</p>
 <p>G x8 Size: M6 x 27 mm</p>	 <p>H x4 Size: Ø5 x 7 cm</p>	 <p>I x1 Size: M4 mm x 2 x 5 cm</p>

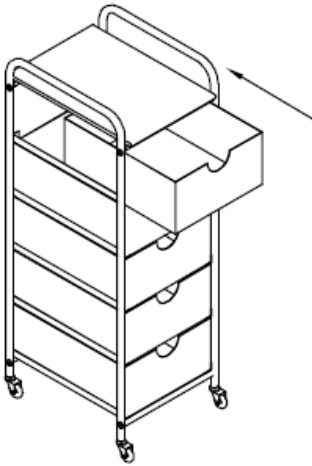
Step 1



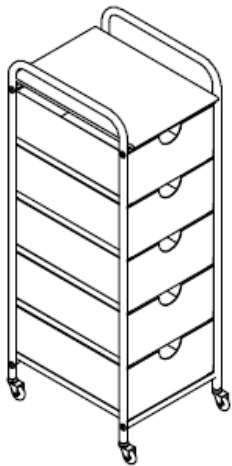
Step 2



Step 3



Step 4



Assembly Instructions:

1. Place the Right Frame (A) and Left Frame (B) in correct direction, as shown. Ensuring the pre-drilled holes are aligned properly, insert Screw (G) through pre-drilled holes of the tube into Top Panel (D) and tighten with Wrench (I). Repeat for both sides.
Ensuring the pre-drilled holes are aligned properly, insert Screw (G) through pre-drilled holes of the tube into Bottom Bar (C) and tighten with Wrench (I). Repeat for both sides.

(For ease in assembling rolling cart, we recommend inserting screws and tightening only partially. When all screws have been inserted, tighten all connections fully).

Carefully lay down the assembled unit on scratch-free surface. Insert Casters (H) into the bottom of the Right and Left Frames (A & B) and then tighten until all are fully seated.

2. Assemble the Fabric Drawer (E & F) as shown.
3. Put all the 5 assembled Fabric Drawers (E & F) into the cart.
4. Rolling Cart is now ready for use.

Care Instructions:

- Dust often with a soft, dry cloth. Do not soak in water.
- To protect the lacquered finish, do not apply polish or household cleaners.