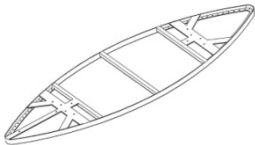

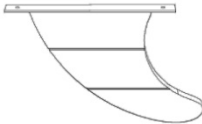


Surf Board Lounge Table Teak

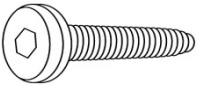

Pre-Assembly:

- Please read all instructions before beginning assembly.
- Place all parts on a carpet or foam in shipping box. Find the round sticker with letter (A,B,C,...) on each part and check with below part list to ensure we have all components.
- Save all packing materials until assembly is complete to avoid accidentally discarding smaller parts or hardware.
- This cart requires one people to do assembly.

Parts Included:

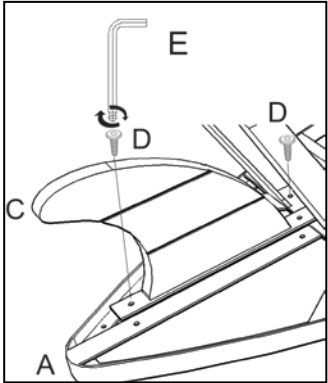
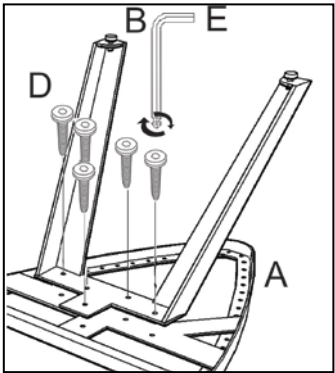
A - Top Panel – 1 Pc	B - Leg – 2 Pcs	C – Fin – 1 Pc
		

Hardware Enclosed:

D - KD Bolts– 10 Pcs	E - Allen Key – 1 Pc
	

Assembly Instructions:

1. Lay Top panel (A) onto clean smooth surface such as carpet or cardboard. Attach Legs (B) and Fin (C) onto the Top Panel (A) by aligning into pre drill holes and secured it by KD Bolts (D) and tighten by using an Allen Key (E).
2. Turn up the Surf Board Lounge Table Teak.
Assembly is completed



Care Instructions:

- Hardware may loosen over time. Periodically check to make sure all connections are tight. Re-tighten if necessary.
- Dust with soft, dry cloth.
- Do not leave spills unattended
- Avoid abrasive cleaners. If a cleaner is needed, use a mild-cleaner spray and blot with an absorbent cloth
- For indoor use only.