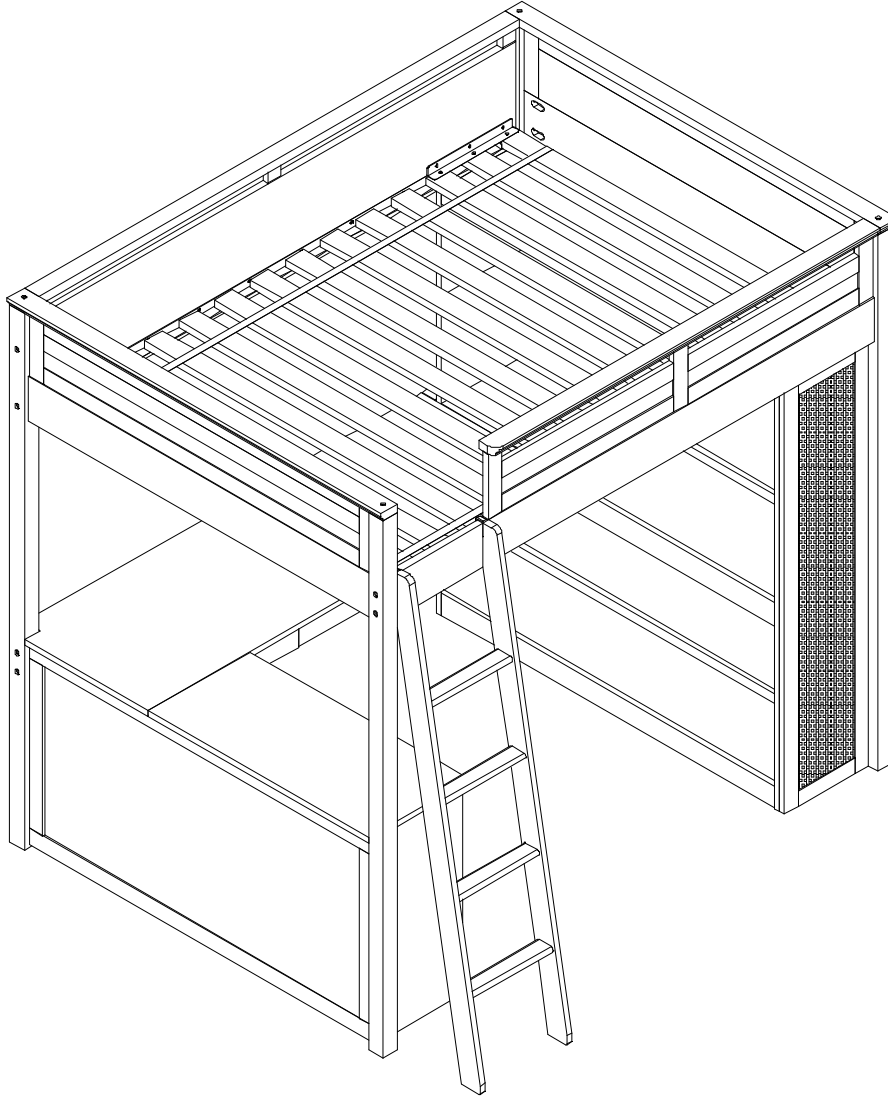


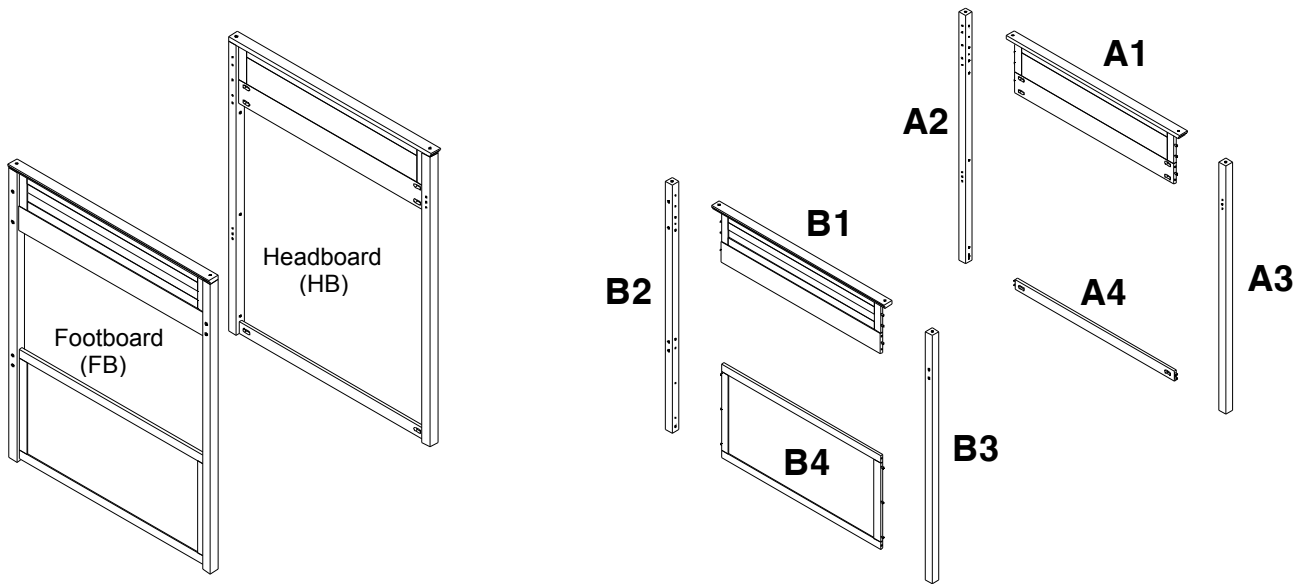
Sleep & Study Loft Bed – Headboard/Footboard

Assembly Instructions 3 of 4



PRE-ASSEMBLY:

- For your safety and ease, assembly by two adults is recommended.
- Please read all instructions before beginning assembly. The illustrations provided allow for easier assembly when used in conjunction with the assembly instructions.
- Remove all parts and hardware from box and lay out on a carpeted or scratch-free work surface. The shipping box provides an ideal work surface. Do not dispose of any contents until assembly is completed to avoid accidentally discarding small parts or hardware.
- Use the parts and hardware lists to identify and separate each of the pieces included prior to starting assembly.
- Note: DO not fully tighten the bolts until all parts are in place. Failure to follow these instructions may cause the bolts to misalign during assembly.
- Do not use power drill as it may cause cracking.




PARTS LIST


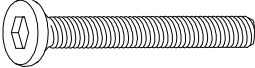

- A1). HB Top Panel – 1pc
- A2). HB Rear Post – 1pc
- A3). HB Front Post – 1pc
- A4). HB Bottom Rail – 1pc

- B1). FB Top Panel – 1pc
- B2). FB Rear Post – 1pc
- B3). FB Front Post – 1pc
- B4). FB Bottom Panel – 1pc

TOOLS REQUIRED:

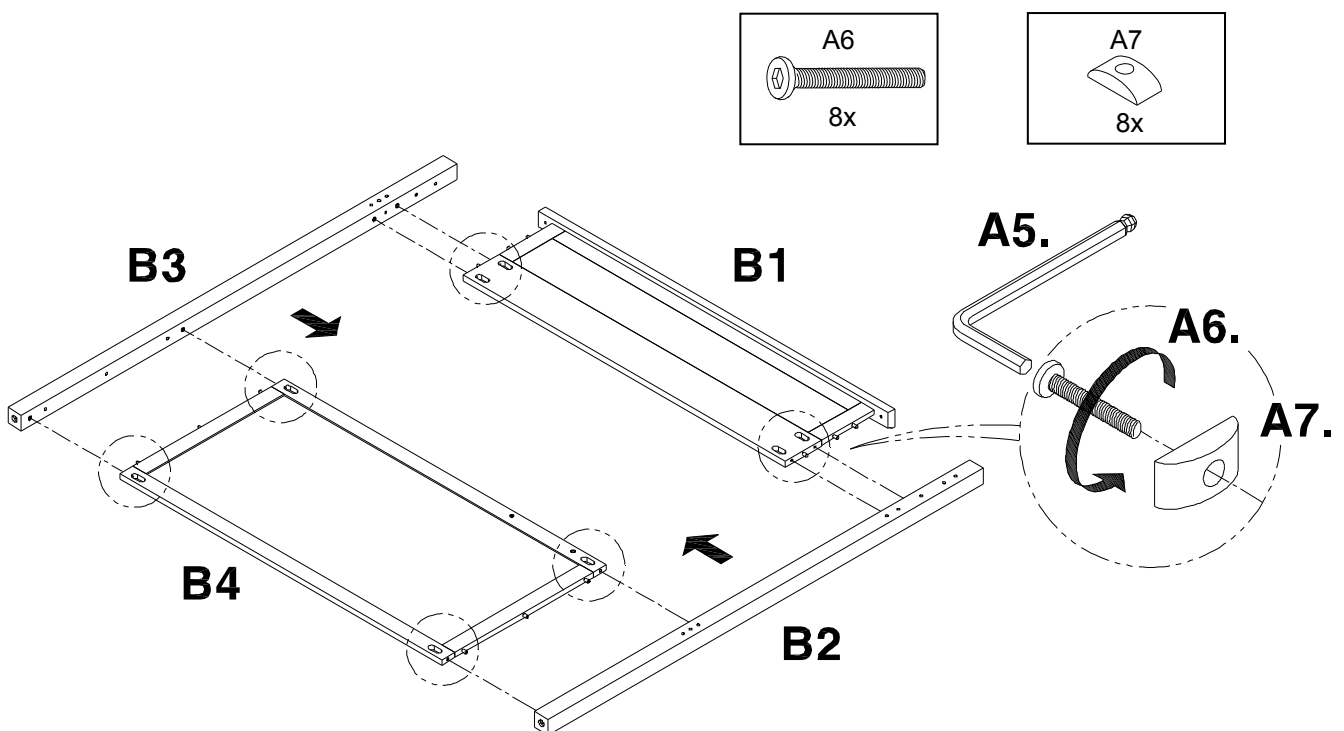
- Philips Screwdriver
(Not included) 

HARDWARE LIST

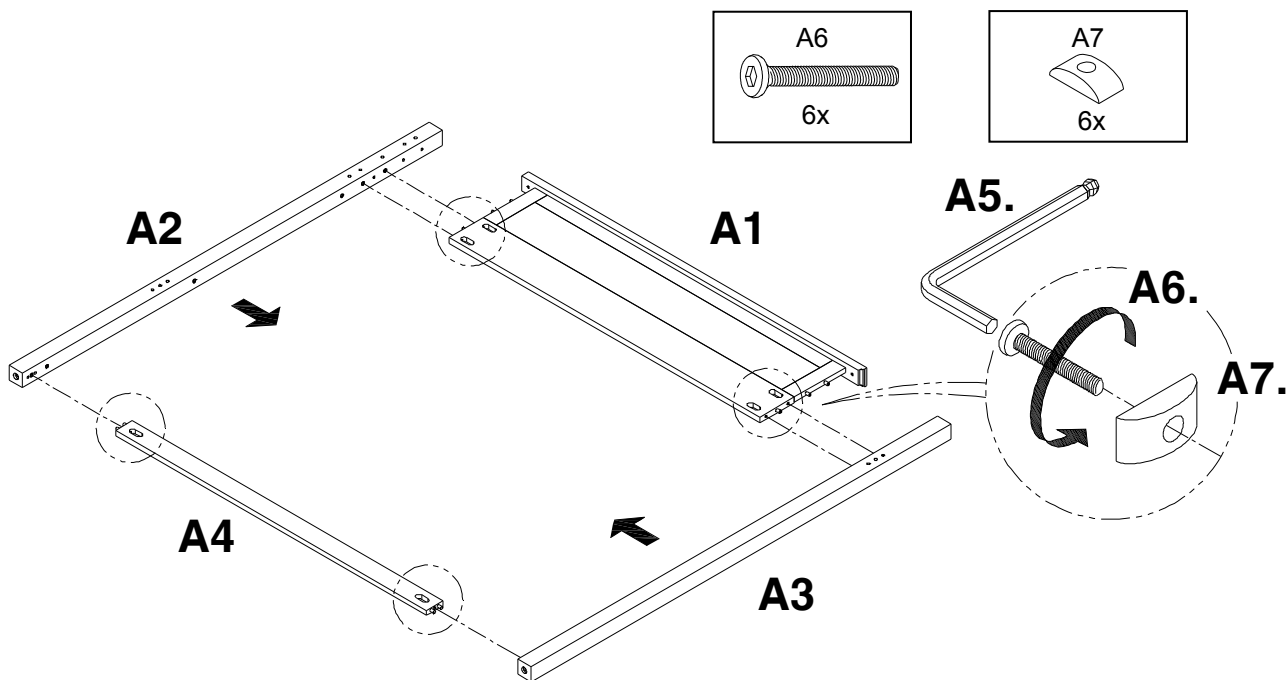
 (A5) Allen Key – 1x	 (A6) Bolt 1/4" x 51mm – 18x	 (A7) Half-Moon Metal Block – 14x
--	--	---

ASSEMBLY INSTRUCTIONS:

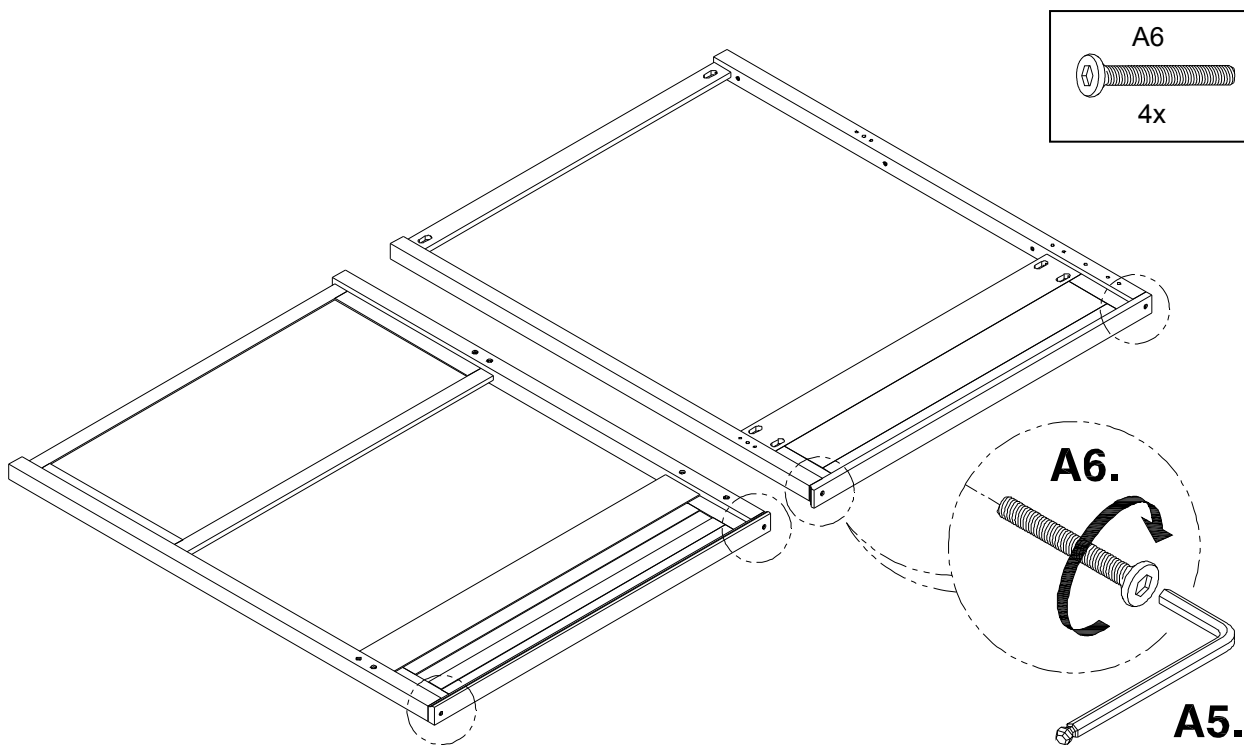
1. Place FB Top Panel (B1, no moldings on left/right end) and FB Bottom Panel (B4) on a soft, scratch-free surface with oval cut-outs facing up. Attach FB Front Post (B3) to FB Top Panel (B1) and FB Bottom Panel (B4), place (4) Half-Moon Metal Blocks (A7) onto the cut-outs and insert (4) Bolts (A6) to secure by using Allen Key (A5). Repeat with FB Rear Post (B2). Do not fully tighten connecting bolts.



- Place HB Top Panel (A1, molding on one end) and HB Bottom Rail (A4) on a soft, scratch-free surface with oval cut-outs facing up. Attach HB Front Post (A3) to FB Top Panel (A1) and FB Bottom Rail (A4), place (3) Half-Moon Metal Blocks (A7) onto the cut-outs and insert (3) Bolts (A6) to secure by using Allen Key (A5). Repeat with FB Rear Post (A2). Do not fully tighten connecting bolts.



- Insert (4) Bolts (A6) from top of the assembled HB/FB to secure top rails to each HB/FB post by using Allen Key (A5). Check alignments and tighten all connecting bolts.



- Assembly of HB/FB components completes.

CARE INSTRUCTIONS:

- Dust with a clean, soft cloth.
- Avoid the use of chemicals and harsh cleaning agents.