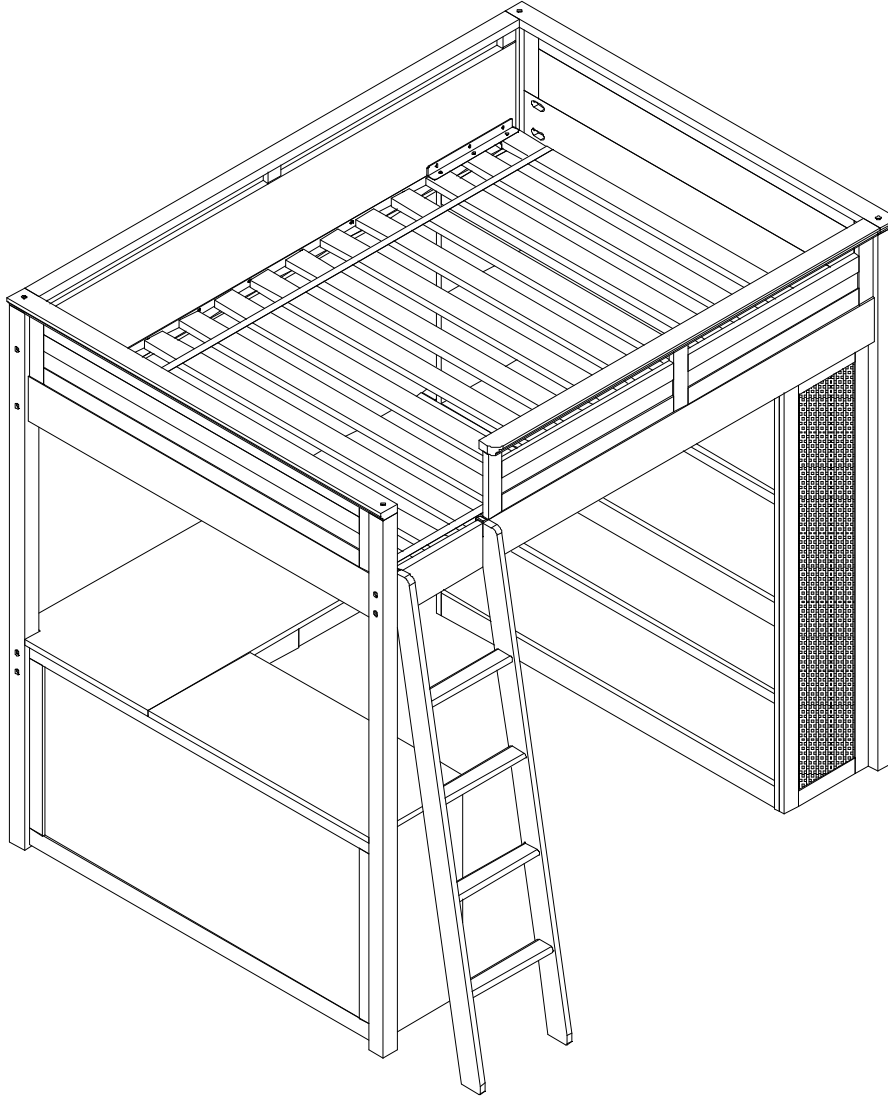


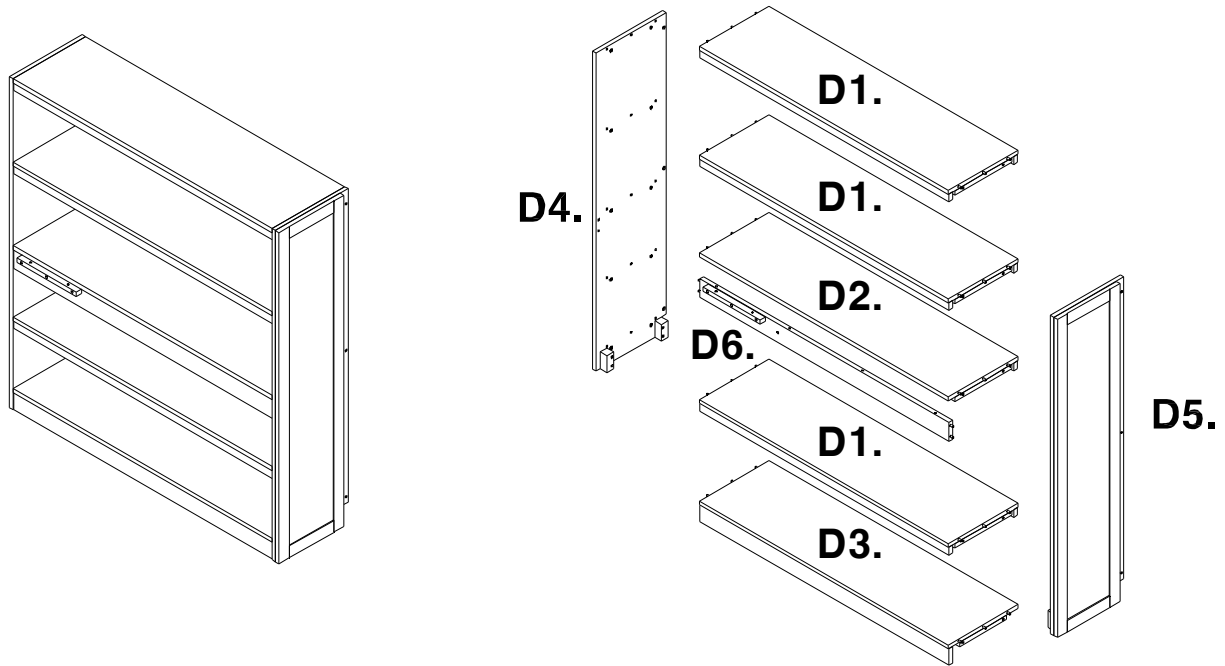
## Sleep & Study Loft Bed – Bookcase

Assembly Instructions 1 of 4



### PRE-ASSEMBLY:

- For your safety and ease, assembly by two adults is recommended.
- Please read all instructions before beginning assembly. The illustrations provided allow for easier assembly when used in conjunction with the assembly instructions.
- Remove all parts and hardware from box and lay out on a carpeted or scratch-free work surface. The shipping box provides an ideal work surface. Do not dispose of any contents until assembly is completed to avoid accidentally discarding small parts or hardware.
- Use the parts and hardware lists to identify and separate each of the pieces included prior to starting assembly.
- Note: DO not fully tighten the bolts until all parts are in place. Failure to follow these instructions may cause the bolts to misalign during assembly.
- Do not use power drill as it may cause cracking.




**PARTS LIST**


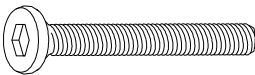
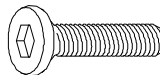


D1). Shelf – 3pcs  
 D2). Center Shelf – 1pc  
 D3). Bottom Shelf – 1pc

D4). Side Panel – 1pc  
 D5). Cork Panel – 1pc  
 D6). Support Rail – 1pc

**TOOLS REQUIRED:**

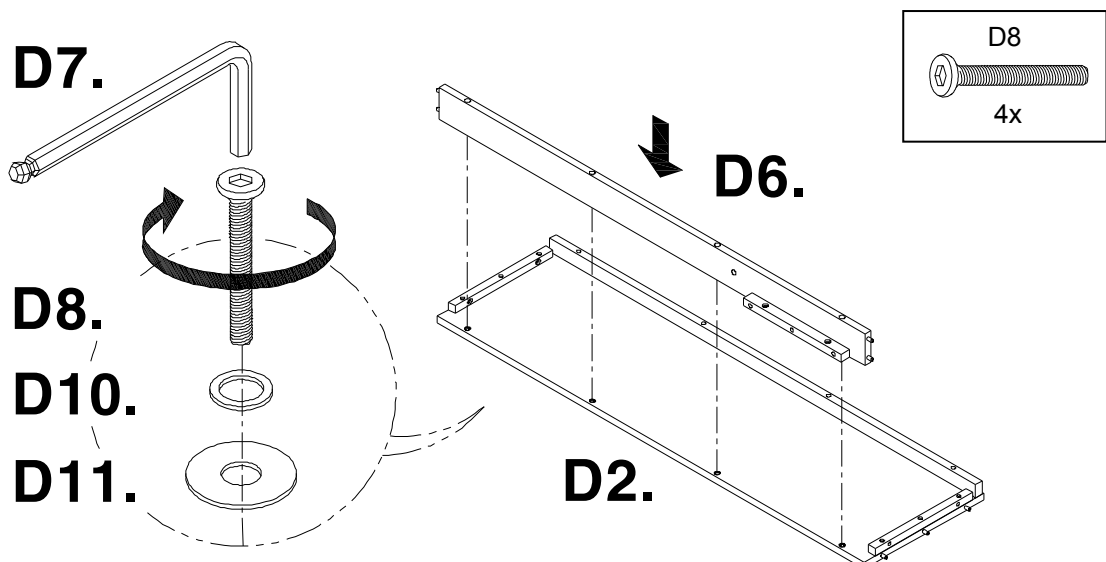
Philips Screwdriver  
 (Not included) 

**HARDWARE LIST**

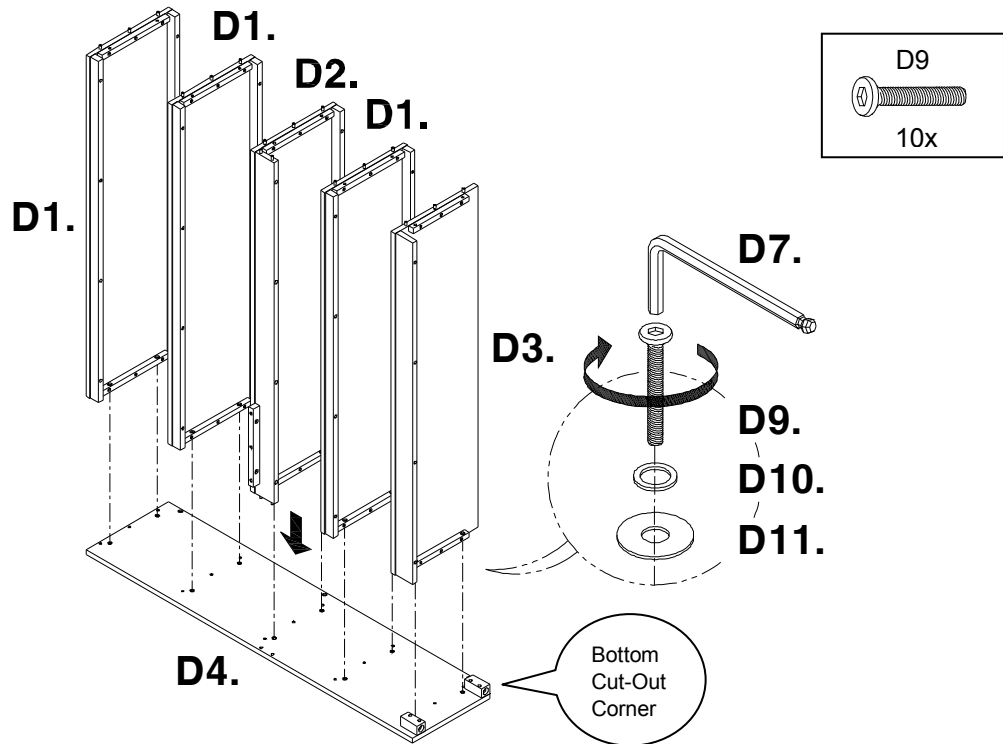
 (D7) Allen Key – 1x	 (D8) Long Bolt 1/4" x 51mm – 4x	 (D9) Short Bolt 1/4"x28mm –20x
 (D10) Spring Washer – 24x	 (D11) Flat Washer – 24x	

**ASSEMBLY INSTRUCTIONS:**

1. Slide a Spring Washer (D10) and a Flat Washer (D11) onto each Long/Short Bolts (D8 & D9).
2. Attach Support Rail (D6) to bottom of the Center Shelf (D2). Insert (4) Long Bolts (D8) with washers from Support Rail (D6) into bottom of the Center Shelf (D2) by using Allen Key (D7). Note: Wooden cleat on the Support Rail (D6) is close to surface of Center Shelf (D2) after assembly.

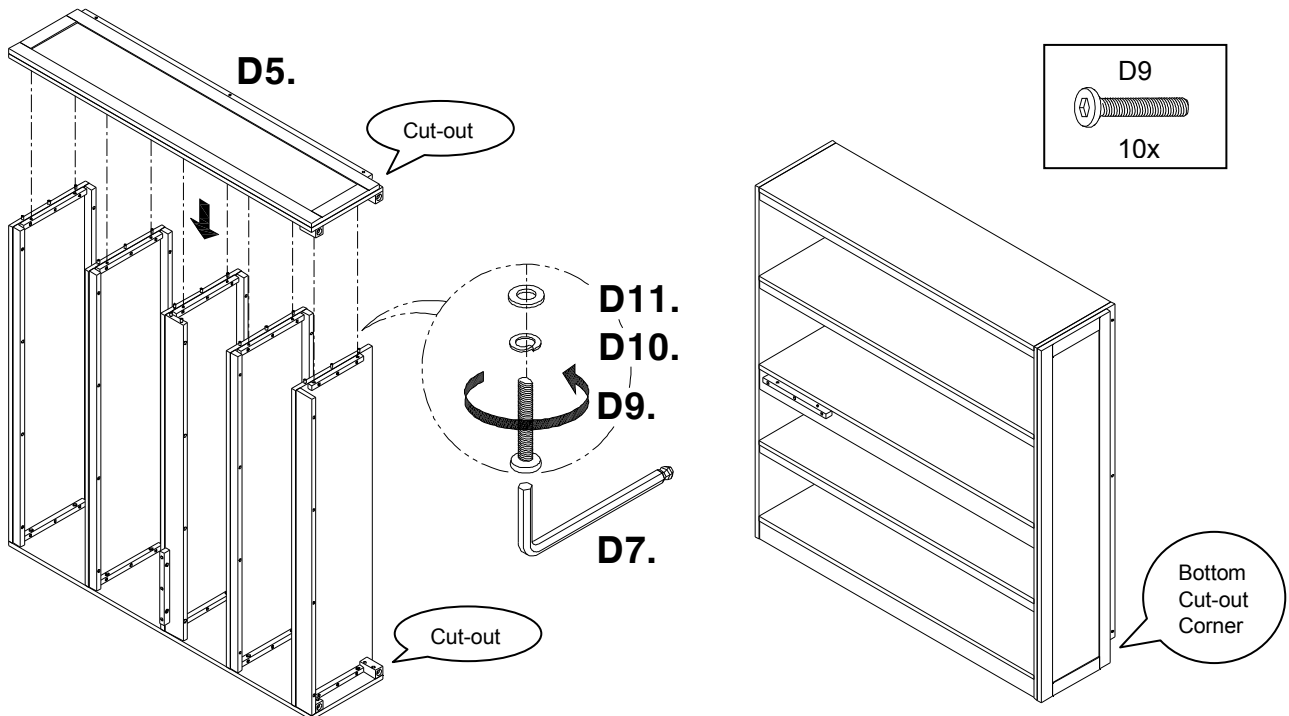


3. Place Side Panel (D4) on a soft, scratch-free surface with bottom wooden blocks facing up. Attach (3) Shelf (D1), Center Shelf (D2) and Bottom Shelf (D3) to Side Panel (D4) in sequence as shown below. Insert (2) Short Bolts (D9) with washers from wooden cleat of each shelf into Side Panel (D4). Note: Wide apron of Center Shelf (D2) and apron of Bottom Shelf (D3) face the edge without cut-out on bottom.



4. Place Cork Panel (D5) onto the assembled piece. Secure each shelf to Cork Panel (D5) by inserting (2) Short Bolts (D9) with washers. Note: Cut-Out corner of the Side Panel and Corkboard Panel face each other.

Place the assembled bookcase in upright position. Check alignments and tighten all connecting bolts.



5. Assembly of Bookcase component completes.

**CARE INSTRUCTIONS:**

- Dust with a clean, soft cloth.
- Avoid the use of chemicals and harsh cleaning agents.