

# COSTA DESK

**Important Safety Instructions:**

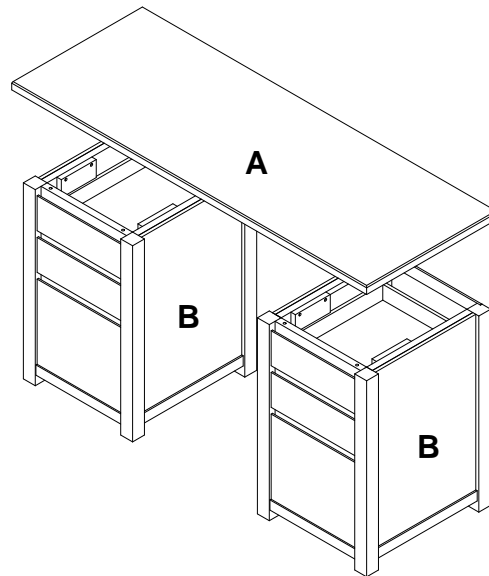
- Please read all instructions carefully before assembling.
- For your safety, assembly by two or more adults is strongly recommended.
- Keep instructions for future use.
- Use only vendor supplied hardware to assemble. Using unauthorized hardware could jeopardize the structural integrity of the item.

**Pre-assembly:**



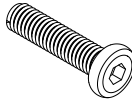
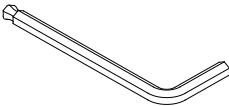
- Remove all parts and hardware from the box and lay out on a clear carpeted or scratch-free work surface, as this will avoid damaging parts during assembly. The shipping box provides an ideal work surface.
- Do not dispose of any packaging or contents of the shipping carton until assembly is completed to avoid accidentally discarding small parts or hardware.
- Use the parts and hardware lists below to identify and separate each of the pieces included.
- The illustrations provided allow for easier assembly when used in conjunction with the assembly instructions.
- The use of power tools to aid in assembly is not recommended. Power tools can damage hardware and split wood.

**Parts Included:**

- (A) Top 1x  
 (B) File pedestal 2x



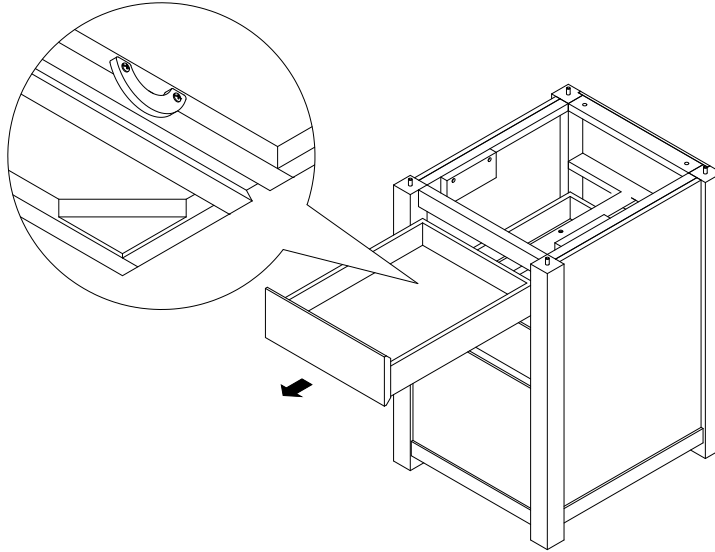
**Hardware Included:**

(C) Flat washer	(D) Spring washer	(E) Allen bolt	(F) Allen key
			
4	4	M6x30 mm 4	1

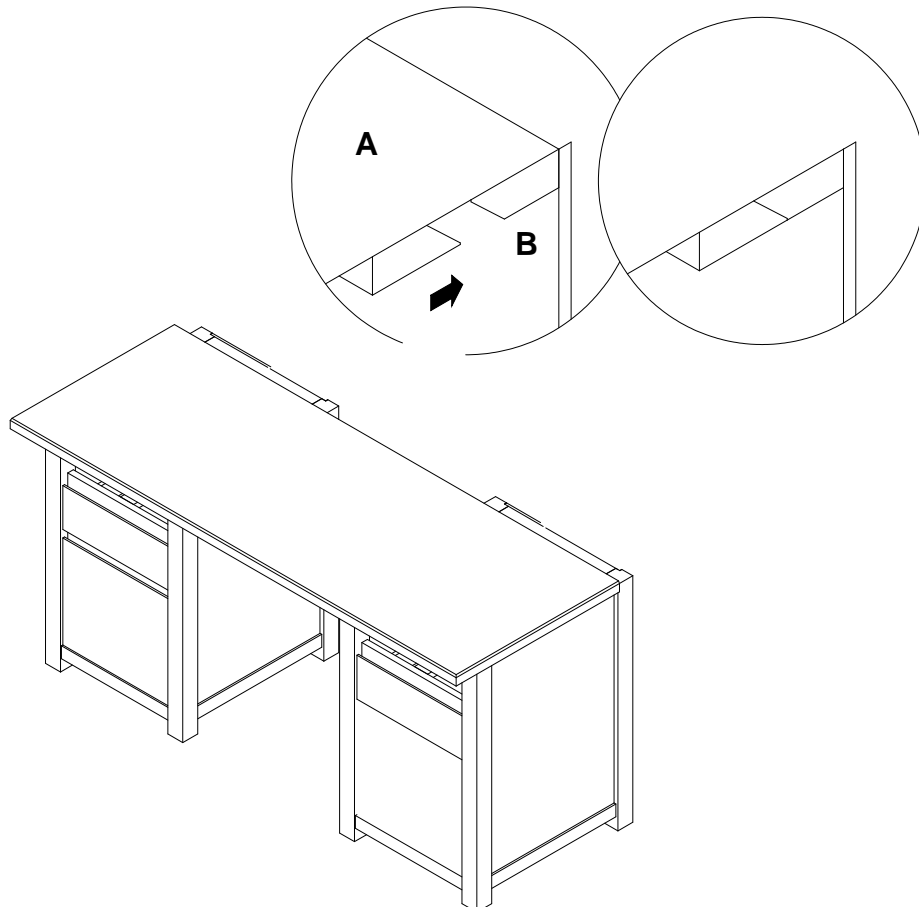
### Assembly Instruction Steps:

1. Remove the top drawer from the file pedestal.

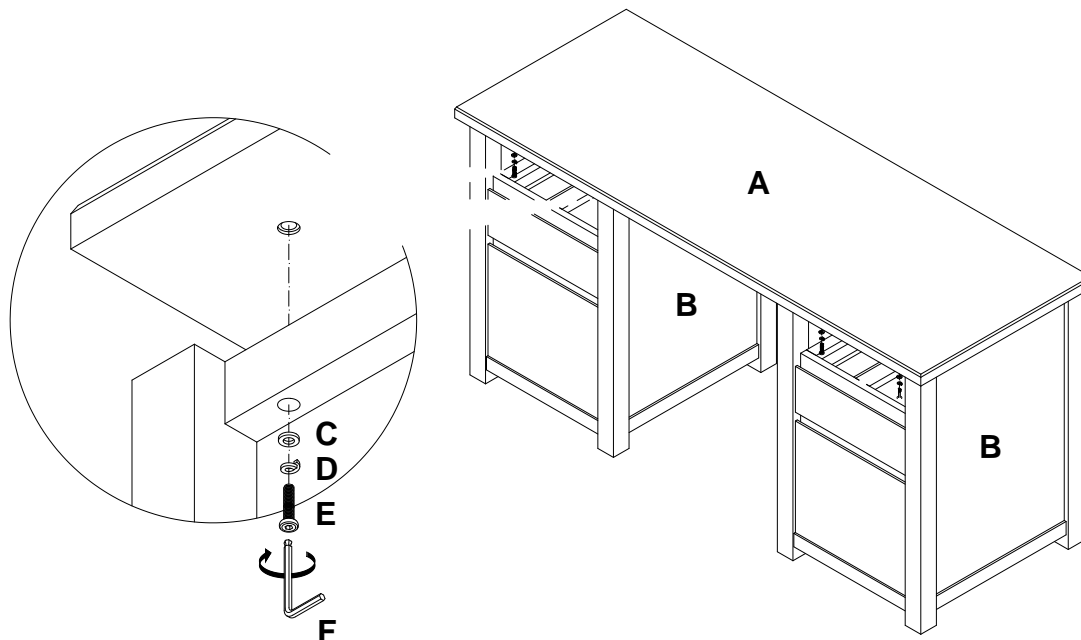
**Note:** It may take considerable effort to pull out the drawer because there is a stopper at the bottom of the drawer. Make sure to pull the drawer straight out, as seen in the illustration below.



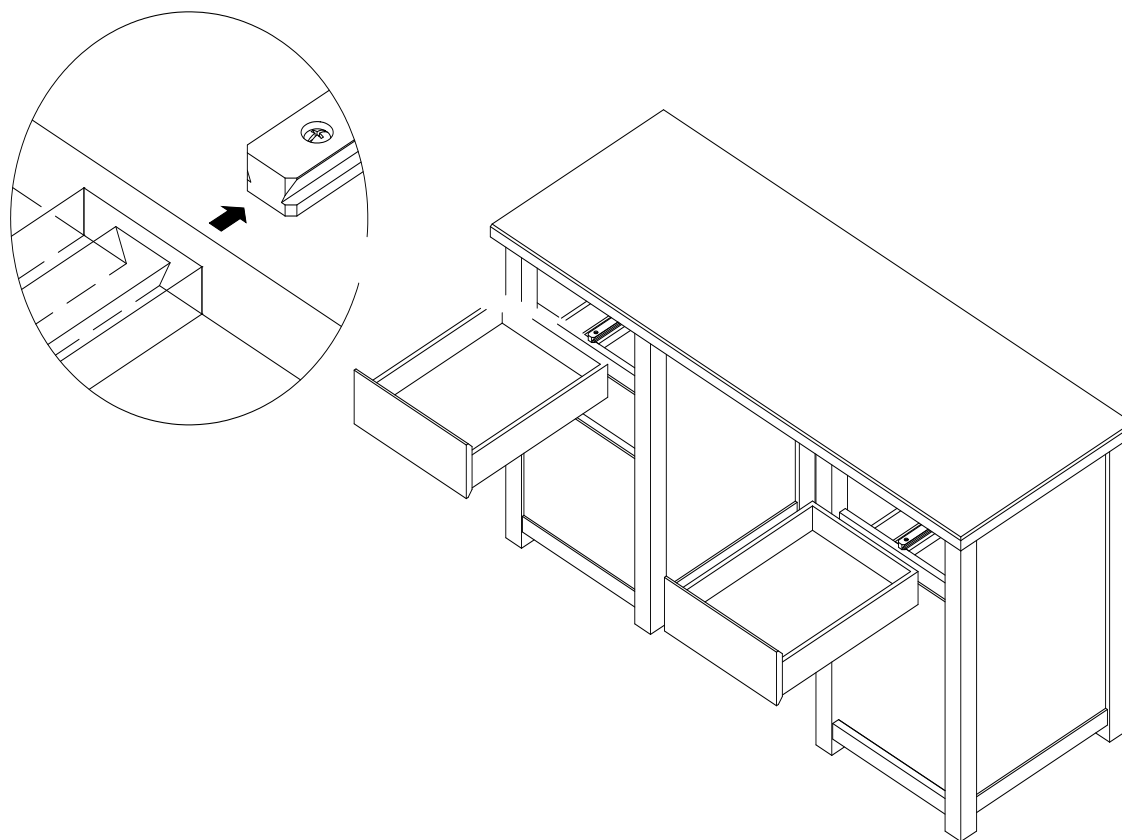
2. Place the top (A) about 4" overlay on the file pedestals (B). Align the wood rails below the top with the opening on top of file pedestals.
3. Slowly push the top all way back to ensure the angle cut rails on top and pedestals slotting together.



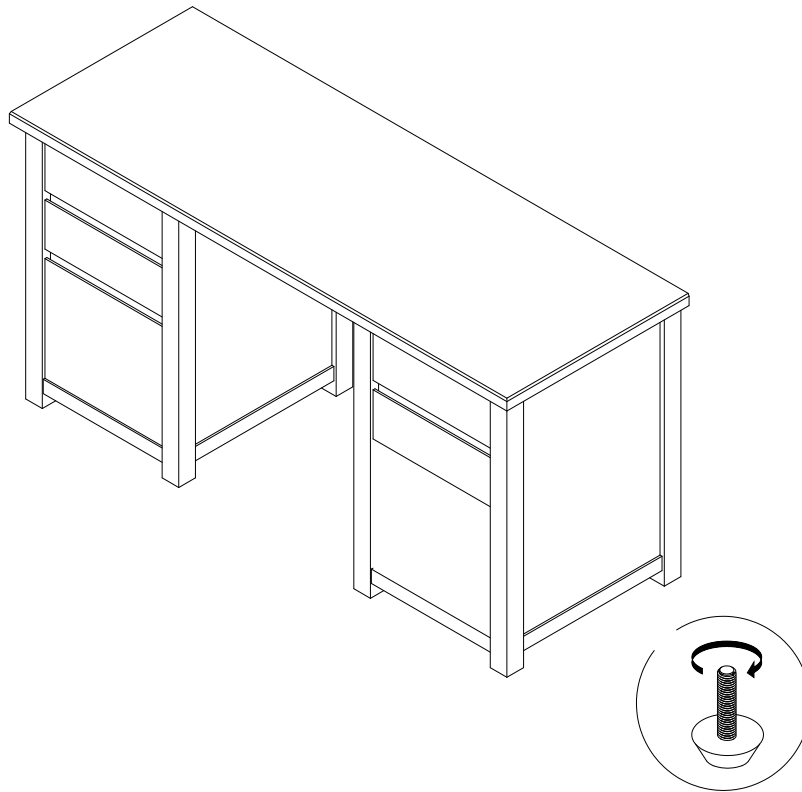
4. Secure the top (A) with file pedestals (B) by flat washer (C), spring washer (DI) and Allen bolt (E) using Allen key (F).



5. Put the drawer back to the file pedestals. Make sure you completely insert the drawer with adequate force.



6. If the desk doesn't sit level. Adjust levelers at the bottom of pedestal legs.



7. Assembly is complete.

**Care Instructions:**

- Dust often using a clean, soft, dry and lint-free cloth.
- Blot spills immediately and wipe with a clean, damp, cloth.
- We do not recommend the use of chemical cleansers, abrasives or furniture polish on our lacquered finish.
- Hardware may loosen over time. Periodically check to make sure all connections are tight. Re-tighten if necessary.